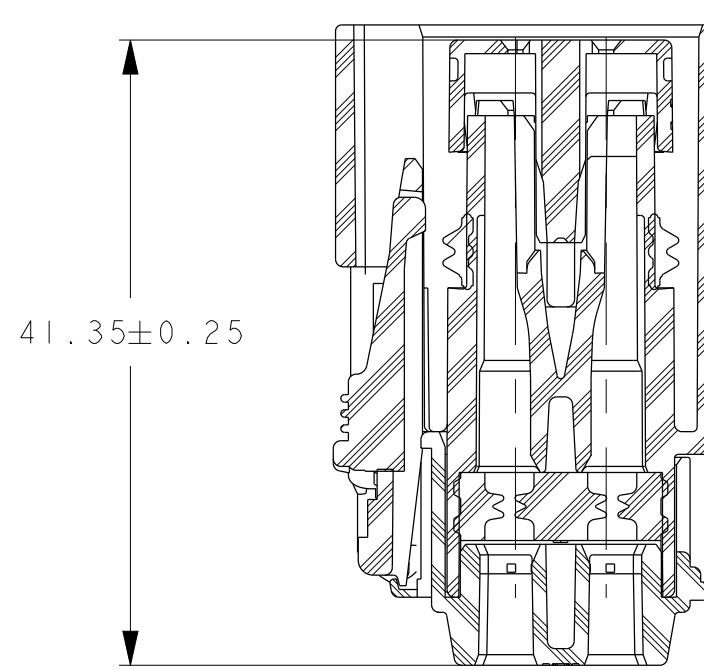
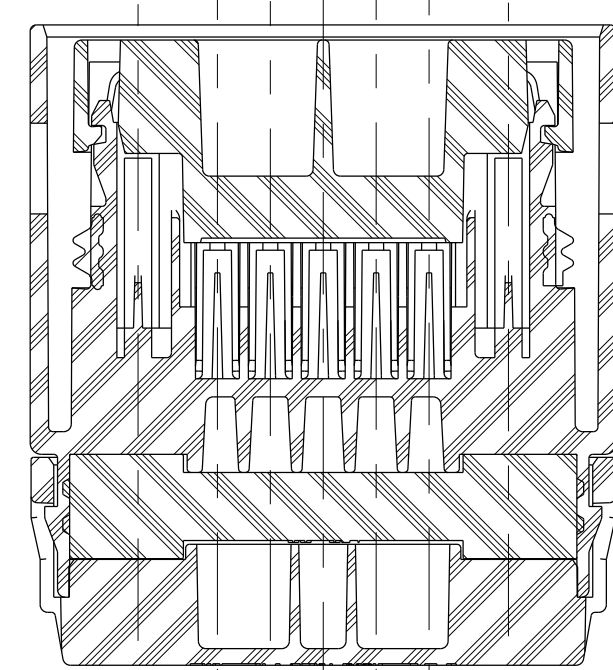


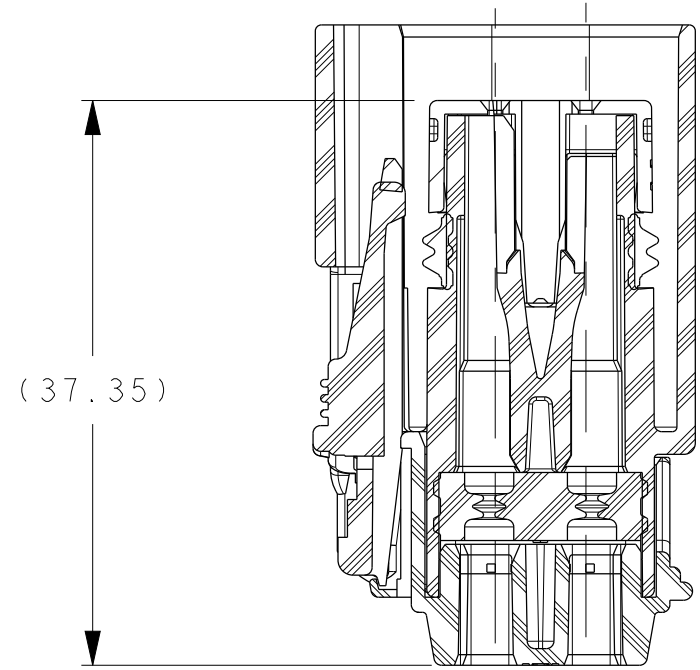
SCALE 2:1



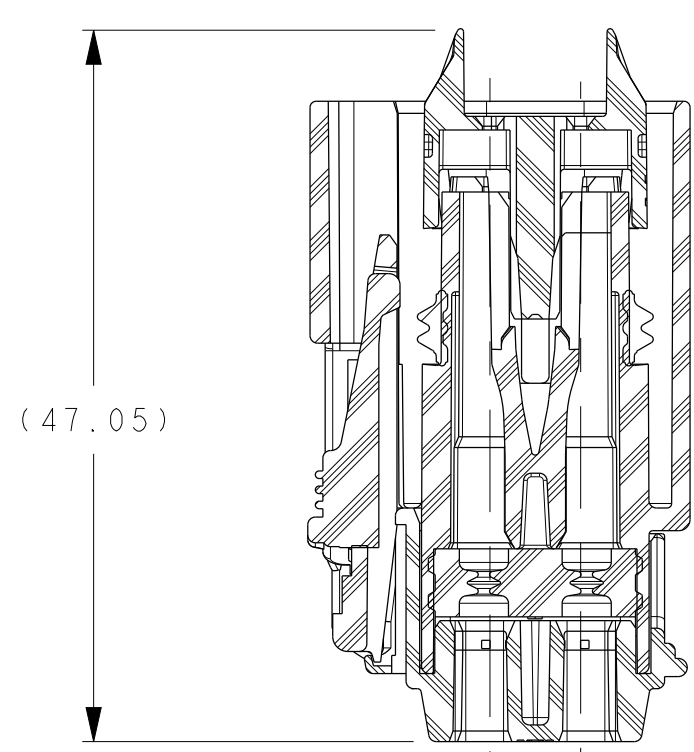
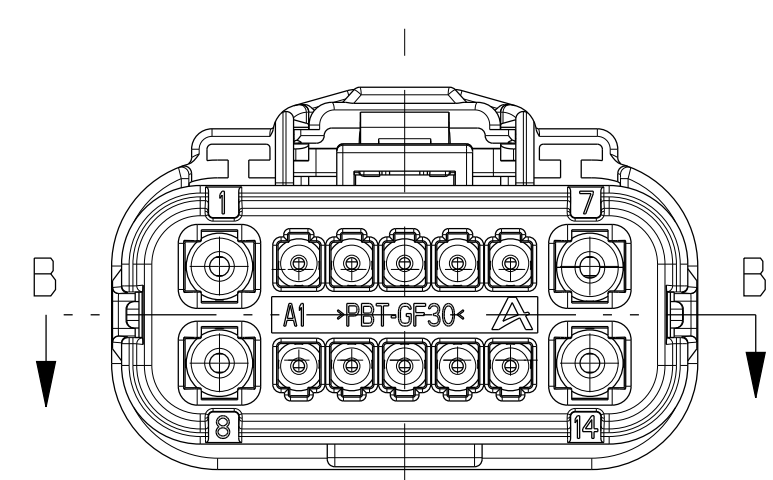
SECTION A-A  
CPA & TPA IN PRE-ASSEMBLED POSITION



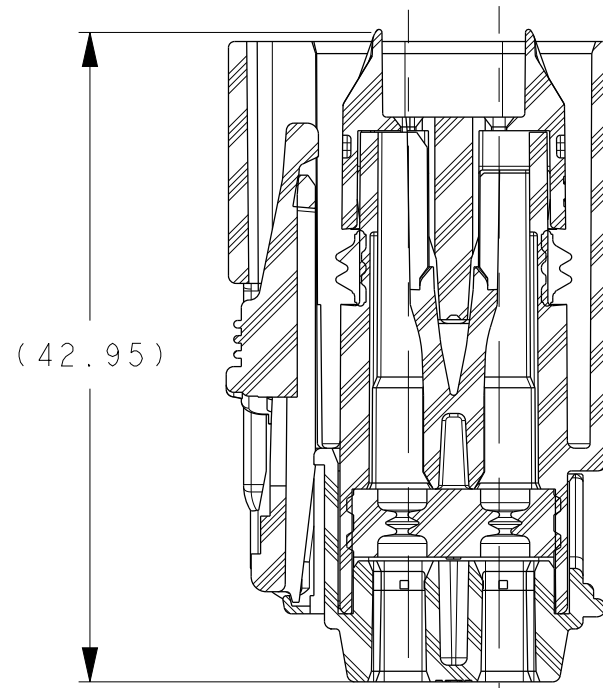
SECTION B-B



SECTION  
CPA & TPA IN FINAL POSITION



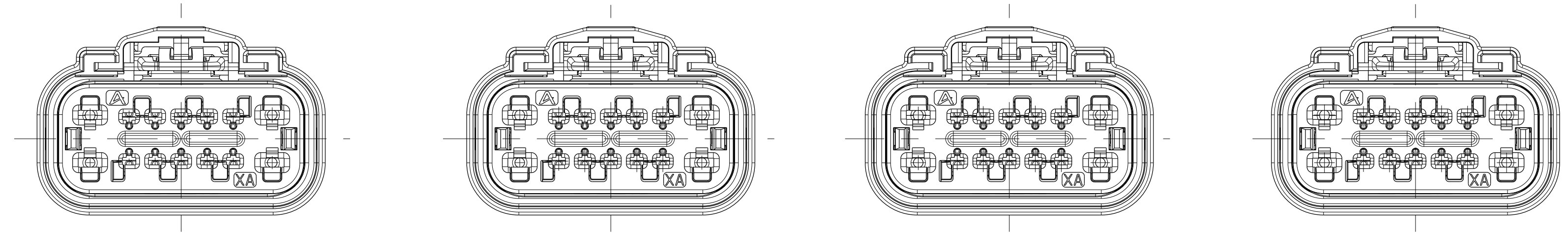
SECTION A-A  
TPA IN PRE-LOCK POSITION



SECTION A-A  
TPA IN FINAL LOCK POSITION

APPLICABLE COMPONENTS				
SUPPLIER		ITEM DESCRIPTION	PLATING OR COLOR	GRIP SIZE
MVL	DELPHI			
54001625	13613157	APEX 150 TERMINAL	TIN	16,18
54002000	13624983	APEX 150 TERMINAL	TIN	20,22
54001627	13779834	APEX 150 TERMINAL	GOLD	16,18
54002002	13725913	APEX 150 TERMINAL	GOLD	20,22
54001208	15422738	APEX 2.8 TERMINAL	TIN	12
54001400	10762803	APEX 2.8 TERMINAL	TIN	14,16
54001800	10757690	APEX 2.8 TERMINAL	TIN	18
54240002	13770939	APEX 150 2.8mm SEAL PLUG - FEMALE	NATURAL	-
54241629	13613164	APEX 150 UNIVERSAL SEAL PLUG	NATURAL	-

COMMON PART NUMBER CHART ONE EACH INCLUDED IN ASSEMBLY			
ITEM	PART NUMBERS		MATERIAL
	MVL	DELPHI	
5	54241687	33503299	RING SEAL SILICONE
6	54251497	33511964	MATT SEAL SILICONE



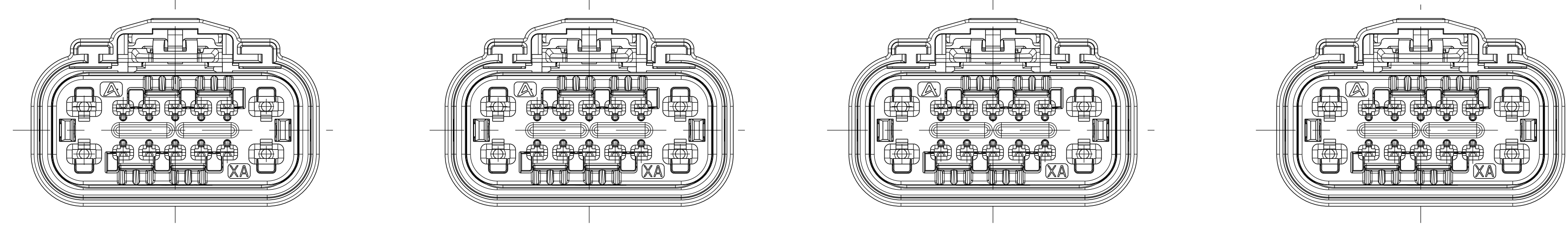
"OPTION - A"

"OPTION - B"

"OPTION - C"

"OPTION - D"

FEMALE ASSEMBLY WITHOUT SHORTING BAR ACTUATING CAM



"OPTION - E"

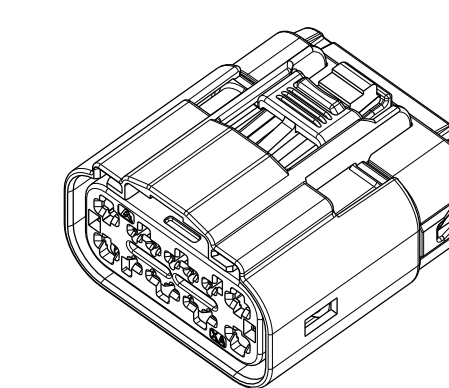
"OPTION - F"

"OPTION - G"

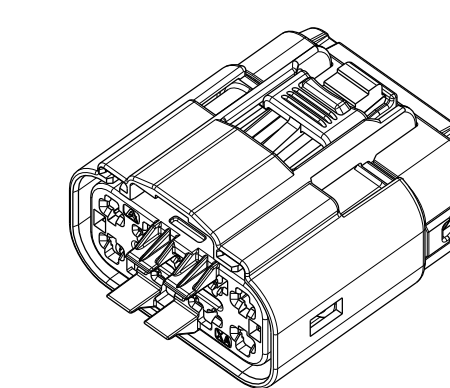
"OPTION - H"

FEMALE ASSEMBLY WITH SHORTING BAR ACTUATING CAM ON TPA

POLARIZATION OPTIONS



VIEW WITHOUT SHORTING BAR ACTUATING CAM



VIEW WITH SHORTING BAR CAM

ISO-VIEWS, FULL SIZE

NOTES:

- TEMPERATURE CLASS: 3 (-40°C TO +125°C)
- SEE CHART FOR TEST METHOD  
SEE CHART
- CONNECTOR MAY BE USED WITH THE FOLLOWING RANGE OF WIRE SIZES AND TYPES:
  - APEX 150 TERMINALS:
    - SIZE: 22AWG TO 16AWG (Ø1.50 TO Ø2.41 INSULATION O.D.)
    - TYPE: TXL (MIL123-A / MS-8288)
    - ALTERNATELY:
      - SIZE: 0.75mm<sup>2</sup> TO 1.50mm<sup>2</sup> (Ø1.70 TO Ø2.40 INSULATION O.D.)
      - TYPE: FLR2X (125°C PE-X) or FLRYW (125°C PVC)
      - (STRUCTURE & PROPERTIES PER ISO6722)
  - APEX 2.8 TERMINALS:
    - SIZE: 18AWG TO 12AWG (Ø1.90 TO Ø3.35 INSULATION O.D.)
    - TYPE: TXL (MIL123-A / MS-8288)
    - ALTERNATELY:
      - SIZE: 1.00mm<sup>2</sup> TO 2.50mm<sup>2</sup> (Ø1.90 TO Ø3.00 INSULATION O.D.)
      - TYPE: FLR2X (125°C PE-X) or FLRYW (125°C PVC)
      - (STRUCTURE & PROPERTIES PER ISO6722)
- CONTACT MVL ENGINEERING REGARDING USE OF OTHER WIRE SIZES AND/OR TYPES
- CONNECTOR MAY BE USED WITH THE FOLLOWING TERMINALS:
  - MVL APEX150 AND APEX 2.8 WITH WIRE SIZES DEFINED IN NOTE 3
  - SEE MVL DRAWINGS J54009-CUST AND C15004-CUST FOR SPECIFIC PART NUMBERS AND CRIMPING REQUIREMENTS.
  - CONTACT MVL ENGINEERING REGARDING USE OF COMPATIBLE NON DELPHI TERMINALS
- ANNUAL QUALITY REQUIREMENTS:
  - IT IS PERMISSIBLE TO PERFORM CONTINUOUS CONFORMANCE PER MVL SPECIFICATION #AQA-001 INSTEAD OF ANNUAL LAYOUT AND ANNUAL PV REQUIREMENTS OF QS-9000 SECTION 2 AND SAE/USCAR-2, REV. 4 FOR TERMINALS TO CONNECTOR AND TPA TO CONNECTOR ONLY
- PART VALIDATION:
  - SHORTING BAR PER SAE/USCAR-2 REV 4 TEMP CLASS 1 (-40°C +85°C)
  - IN-LINE PER SAE/USCAR-2 REV 4 TEMP CLASS 3 (-40°C +125°C)
  - IN-LINE PER SAE/USCAR-20 REV 2

REV.	DATE	BY	CHKD	DESCRIPTION
1				ISSUED FOR PRODUCTION

PROJECT NO.	K53001	DATE	08-13-03	ISSUED BY	AN
PROJECT TITLE	APEX 150 ASSEMBLY 14-WAY HYBRID FEMALE				
PROJECT NO.	K53002	DATE	08-13-03	ISSUED BY	AN
PROJECT TITLE	APEX 150 14-WAY K53 HYBRID				

REV.	DATE	BY	CHKD	DESCRIPTION
1				ISSUED FOR PRODUCTION

# Mouser Electronics

Authorized Distributor

Click to View Pricing, Inventory, Delivery & Lifecycle Information:

[Aptiv:](#)

[55251404](#) [55251405](#) [55251403](#) [55251404-B](#) [55251405-B](#) [55251403-B](#)