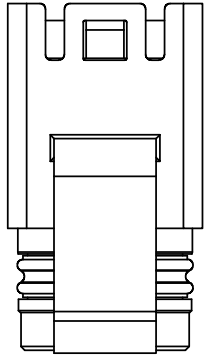




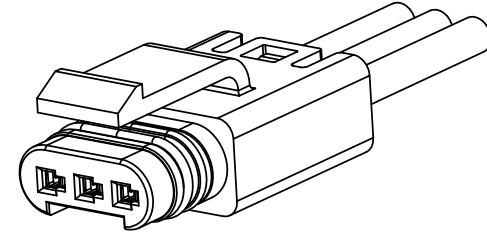
REVISIONS			
REV	DESCRIPTION, ECN, EAR NO.	DATE	APPD
D	CONTACT RENAMED	NOV30/18	S.M.
E	CURRENT RATING CHANGE	JAN22/19	S.M.



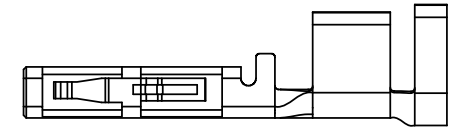
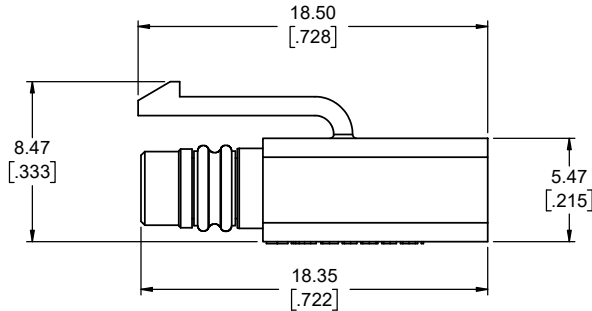
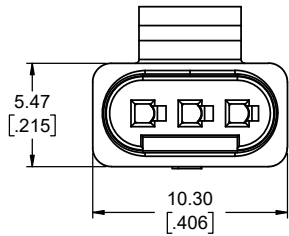
PART NUMBER: FLH - SX 1 - 00

SERIES
FLH

HOUSING TYPE
S2 = 2 SOCKET HOUSING
S3 = 3 SOCKET HOUSING



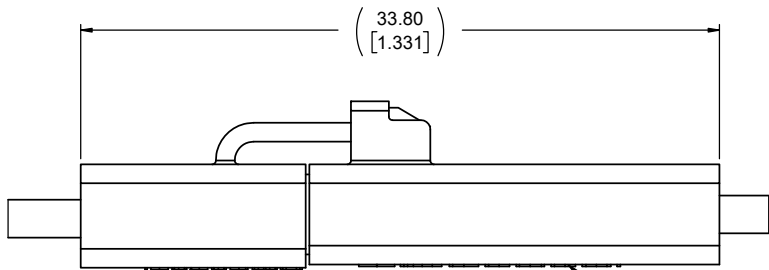
**APPLICATION VIEW
WITH 3 CONTACTS
AND WIRES INSTALLED**



**FLH-SC136-XXX - SOCKET CONTACT
SEE NOTES 3 & 4
SCALE 10:1**

NOTES:

- MATERIALS: ALL MATERIALS ARE RoHS COMPLIANT PER EU DIRECTIVE 2011/65/EU & AMENDMENTS
 - HOUSING: ENGINEERING THERMOPLASTIC, UL FLAMMABILITY RATING 94V-0, COLOUR BLACK
 - SEALS: SILICONE RUBBER
- ELECTRICAL CHARACTERISTICS
 - CURRENT RATING: 8A (18 AWG) OR 5A (20 AWG) OR 3A (22 AWG) PER CONTACT WHEN USING
 - 3 CONTACTS
 - DIELECTRIC WITHSTANDING VOLTAGE: 1800 VAC
 - INSULATION RESISTANCE: 500 MEGAOHMS
 - OPERATING TEMPERATURE: -40 °C TO +105 °C
- CRIMP WIRE TO CONTACT BEFORE ASSEMBLING INTO HOUSING.
- SOCKET CONTACTS TO BE PURCHASED SEPARATELY ON REEL. P/N: FLH-SC136-XXX



SOCKET CONNECTOR
FLH-SX1-00

MATED ASSEMBLY VIEW

PIN CONNECTOR
FLH-PX1-00

AMPHENOL PART NUMBER: FLH-SX1-00

UNLESS SPECIFIED OTHERWISE	DRAWN	B.COPPING	FEB20/18
PRIMARY UNITS MILLIMETERS	CHECKED	S.MUGAN	FEB20/18
SECONDARY INCHES	M.E. APPD		
REFERENCE IN PARENTHESES	Q.A. APPD		
GENERAL TOLERANCES	DWG APPR.		
1 DECIMAL PLACE	ENG. REL. NO.		
2 DECIMAL PLACES ±0.10	REF.		
3 DECIMAL PLACES	THIRD ANGLE PROJECTION		
ANGULAR DEGREES			

Amphenol Canada Corp.
Commercial Products
FLH SERIES, MINI SEALED 2.5mm PITCH
SOCKET CONNECTOR HOUSING
ASSEMBLY, 2 OR 3 CONTACT OPTIONS,
RoHS COMPLIANT

DWG. NO.	P-FLH-SX1-00	REV	E
CODE ID NO.	03554	DWG SIZE:	X
SCALE:	5:1	SHEET	1 OF 1

Mouser Electronics

Authorized Distributor

Click to View Pricing, Inventory, Delivery & Lifecycle Information:

[Amphenol:](#)

[FLH-S31-00](#) [FLH-S21-00](#)