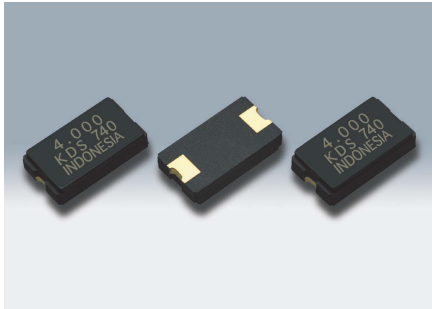


SMD Crystal Resonators / MHz Band Crystal Resonators

DSX840GT



Actual size

■ Features

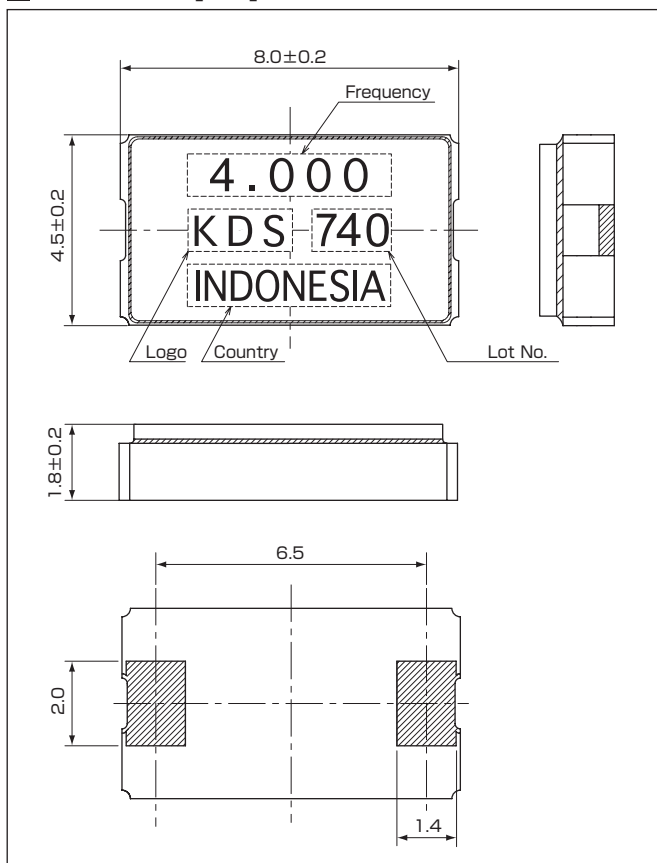
- 8045 size SMD crystal resonator with a profile of 1.8mm.
- Offers a wide frequency range from a low 4MHz up to 8MHz.
- Excellent heat resistance, high precision, and high reliability.
- Suitable for digital AV equipment as well as many other applications.
- Also suitable for automotive applications (AEC-Q200 Compliant)

■ Standard Specification

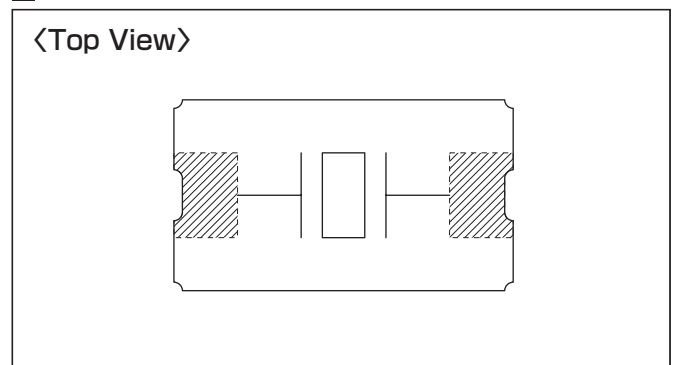
Item	Type	DSX840GT		
Frequency Range		4~5MHz	5~6MHz	6~8MHz
Overtone Order		Fundamental		
Load Capacitance		Series, 8pF, 10pF, 12pF		
Drive Level		10 μ W (300 μ W max.)		
Frequency Tolerance		$\pm 30 \times 10^{-6}$, $\pm 50 \times 10^{-6}$, $\pm 100 \times 10^{-6}$ (at 25°C)		
Series Resistance		300 Ω max.	200 Ω max.	150 Ω max.
Frequency Characteristics over Temperature		$\pm 30 \times 10^{-6}$ / -10~+60°C (Ref. to 25°C)		
		$\pm 50 \times 10^{-6}$ / -20~+70°C (Ref. to 25°C)		
		$\pm 100 \times 10^{-6}$ / -40~+85°C (Ref. to 25°C)		
Storage Temperature Range		-40~+85°C		
Packing Unit		1000pcs./reel (ϕ 250)		

Consult our sales representative for other specifications.

■ Dimensions[mm]



■ Internal Connections



■ Recommended Land Pattern

[mm]

