

FEATURES

- Non-latching relay switch
- Coil voltage of 24 V DC
- Coil power of 180 W
- Isolation coil to contact 2 kV AC
- Contact configuration of 4PDT
- Plug-in mounting
- LED indicator
- Switching current of 6 A
- Four poles
- Silver alloy contacts
- Operates from -55°C to +70°C
- Electrical life of 100,000 cycles

RS PRO, 24V dc Coil Non-Latching Relay 4PDT, 6A Switching Current Plug In, 4 Pole

RS Stock No.: 121-7798



RS Professionally Approved Products bring to you professional quality parts across all product categories. Our product range has been tested by engineers and provides a comparable quality to the leading brands without paying a premium price.

Product Description

The RS PRO, 24 V DC coil non-latching relay 4PDT (Quadruple Pole Double Throw) is designed for opening and closing circuits. Sometimes known as an industrial switch, it's often used to increase the number of functions in electrical enclosures, such as machines and HVAC (heating, ventilation and air-conditioning) systems. This 4-pole relay has a maximum switching power of DC 900 mW and AC 1.2 VA and a maximum switching voltage of 30 V dc and 250 V ac.

General Specifications

Contact Configuration	4PDT
Number of Poles	4
Operate Time	≤20ms
Release Time	≤20ms
Applications	Automotive engines, Household applications, Industrial machinery, Medical equipment, Telecommunications equipment

Electrical Specifications

Coil Power	180W
Coil Voltage	24Vdc
Switching Current	6A
Must Drop-Out Voltage (AC/DC)	DC: ≥10% rated voltage, AC: ≥30% rated voltage
Isolation Coil To Contact	2kV ac
Terminal Type	Plug In
Insulation Resistance	≥500mΩ (500VDC)
Dielectric Strength	Between coil & contacts 2000VAC/1min, between open contacts 1000VAC/1min, between poles 2000VAC/1min

Contact Data	
Maximum Switching Voltage (AC)	250V ac
Maximum Switching Voltage (DC)	30V dc
Maximum Switching Power (AC)	1.2VA
Maximum Switching Power (DC)	900mW
Contact Resistance	≤50mΩ
Contact Material	Silver alloy
Mechanical Endurance	10 million cycles
Electrical Endurance	100,000 cycles

Mechanical Specifications

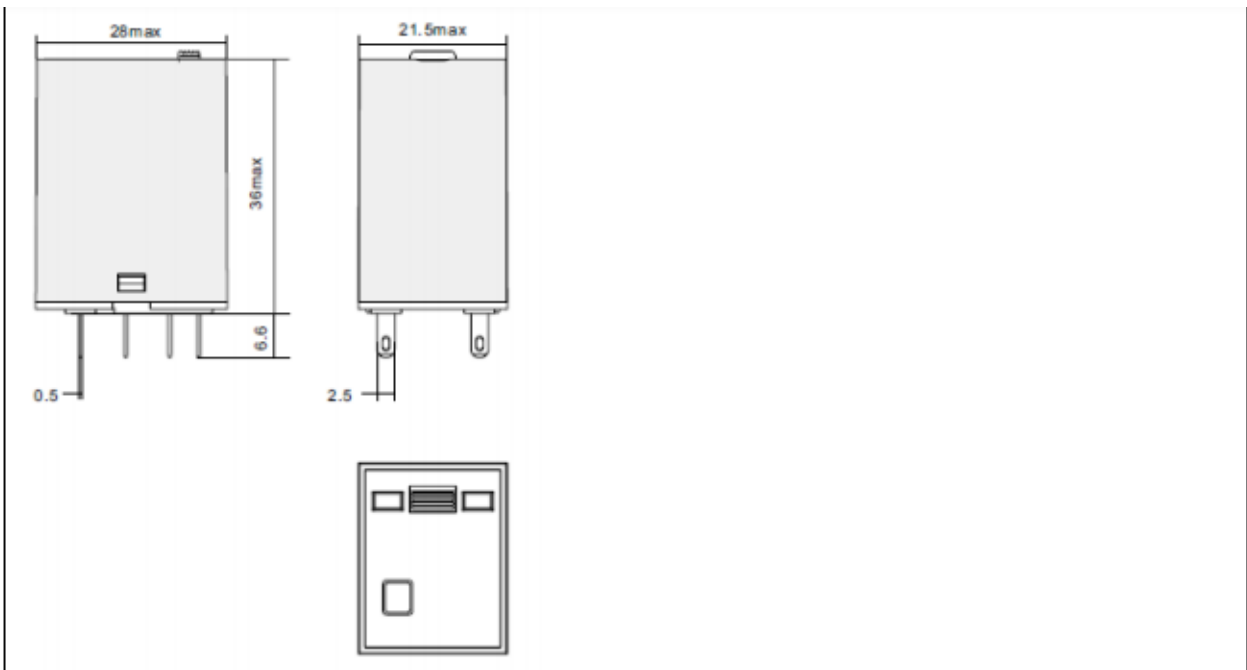
Mounting Type	Plug In
Depth	21.5mm
Length	28mm
Height	36mm
Unit Weight	35g

Operation Environment Specifications

Operating Temperature Range	-55°C to +70°C
Minimum Operating Temperature	-55°C
Maximum Operating Temperature	70°C
Ambient Temperature	-55°C to +70°C
Humidity	5% to 85% RH
Shock Resistance	10G
Vibration Resistance	10-55Hz double-amplitude: 1.0mm

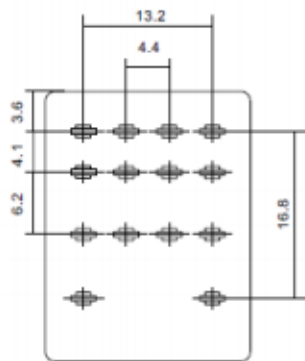
Approvals

Compliance/Certifications	EN61340
Standards Met	CE, CQC, CULus, RoHS Compliant

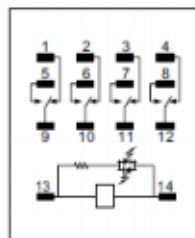


Schemes

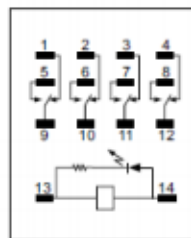
4 Pole



DC



AC



DC-D

