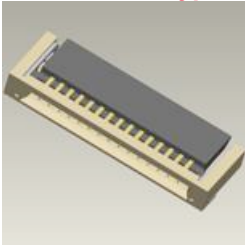


10051922-1010ELF - FPC/FFC
 : VLL Series, 10 Pos, Lower
 Side Contact, Side Entry
 Surface Mount ZIF Connector,
 0.5 mm (0.02 in.), Lead Free
 Type



www.fci.com



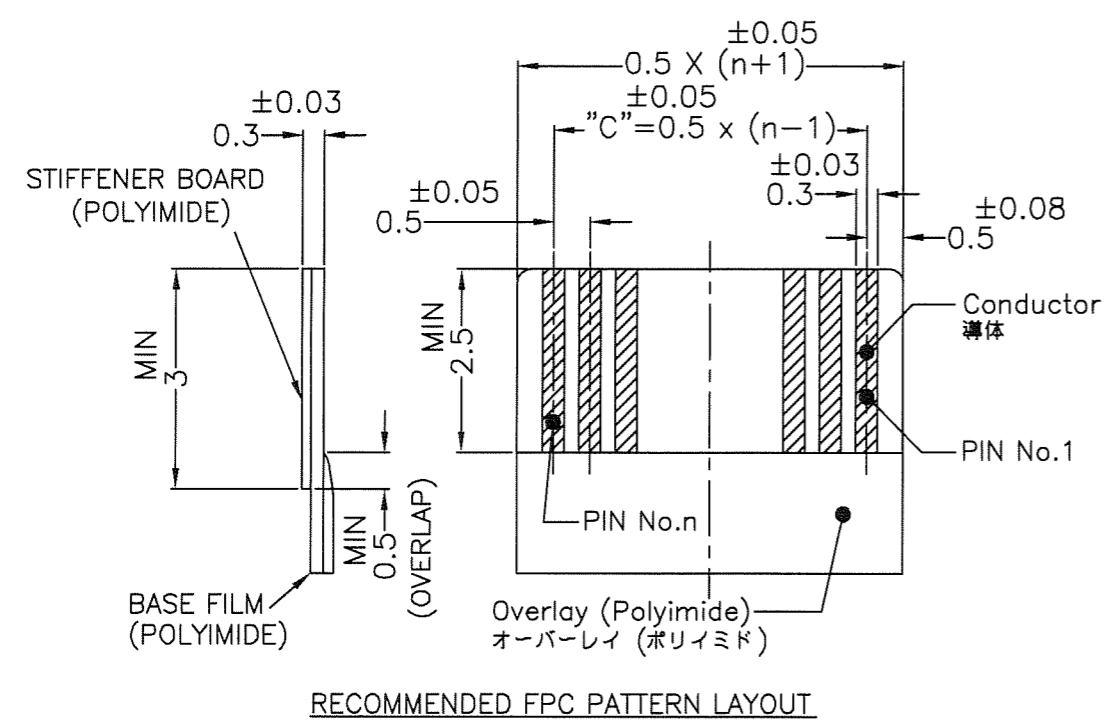
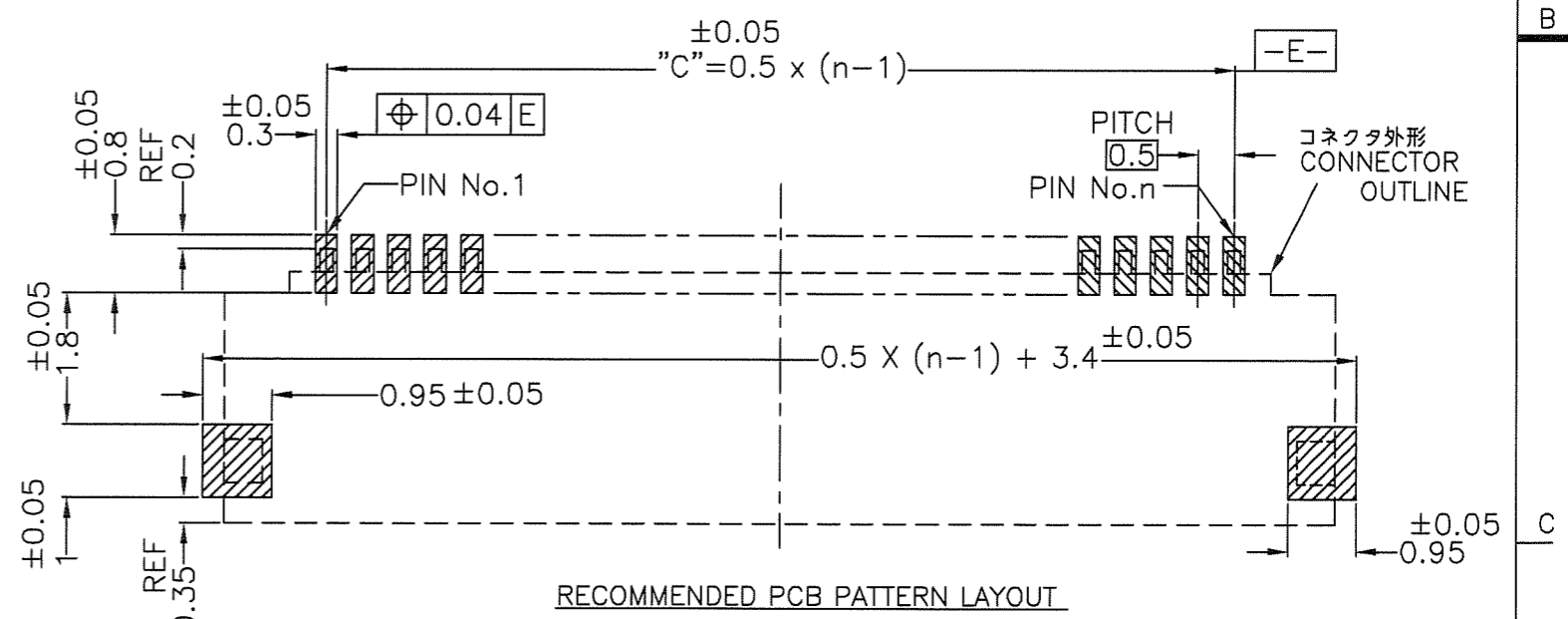
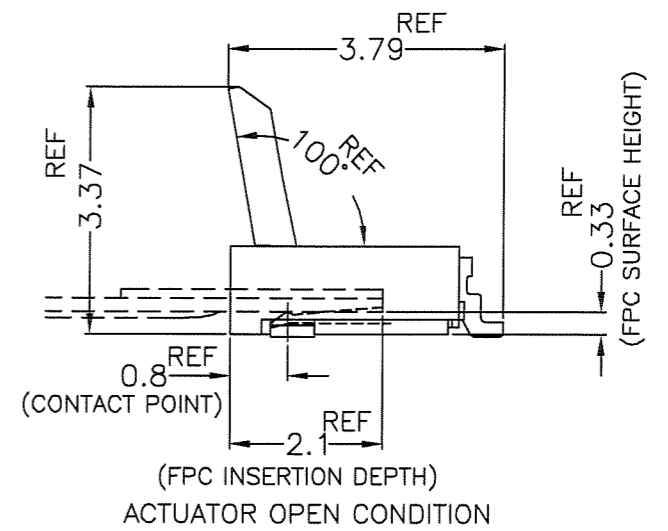
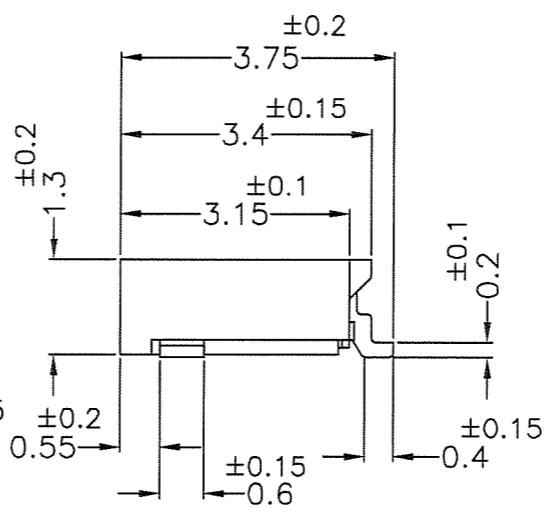
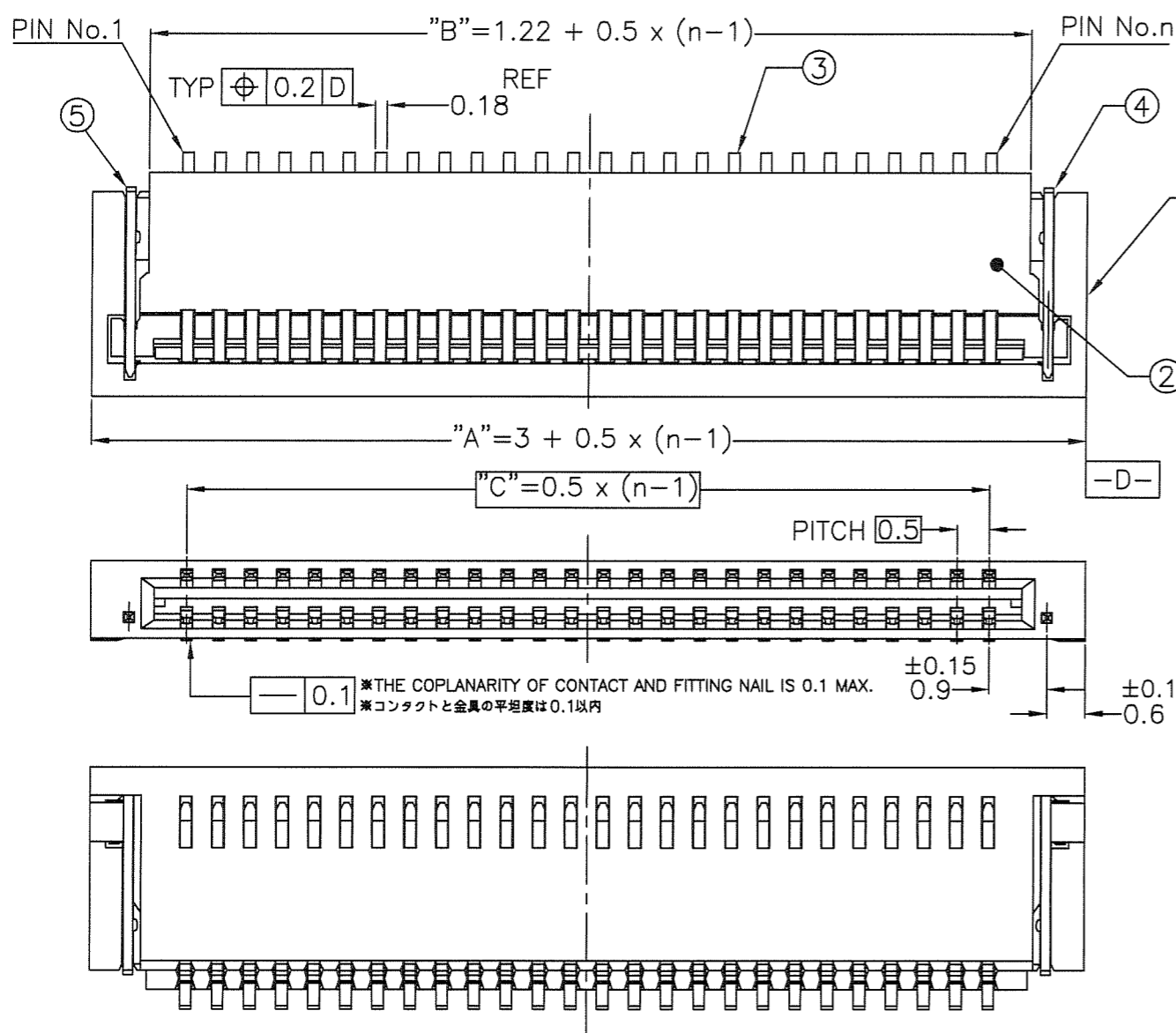
Specifications

General	
Cable Lock	No
Contact location	Lower
Number of contacts	10
Orientation	Right Angle
Product Series	VLL
Electrical	
Withstanding Voltage	200V AC for 1 minute
Current rating	0.5A AC/DC
Resistance (Contact)	30 milli ohms max.
Resistance (Insulation)	100 M-ohms min.
Voltage rating	50V AC/DC
Mechanical	
Durability (Mating cycles)	20 Cycles
Physical	
Material (Contact)	Phosphor Bronze, Gold Plated
Material (Housing)	Glass Filled Thermoplastic, UL94 V-0, Beige
Material (Slider)	Glass Filled Thermoplastic, UL94 V-0, Black
Temperature (Operating - range)	-55°C to +85°C
Approvals / Certifications	
Damp Heat per JIS C 0022	Contact Resistance 50 milli ohms max., 100 M-ohms min.
Salt Spray per JIS C 0023	Contact Resistance 30 milli ohms max.
Temperature Cycling per JIS C 0025	Contact Resistance 50 milli ohms max.
Vibration per JIS C 0040	No discontinuity > 1 μ second
Other Features	
Packaging (Type)	Embossed Tape on Reel

CONNECTOR ASSY

Note
 1. "n" shows the number of contacts.
 2. This product meets European Union Directives and other country regulations as described in GS-22-008

注記
 1. nは極数を示す。
 2. 本製品は、GS-22-008に記載されたヨーロッパ適合指令と他国の規制に適合しています。



mat'l. code				surface		tolerance		projection		product family		CODE
---				ISO 1302		ISO 406		ϕ ∇		59GF FLEX 0.5		JP
tolerances unless otherwise specified				linear		0.X ± 0.3		mm		title		
angles				0.XX ± 0.3		0.XXX ± 0.3		scale 10:1		ASSEMBLY		
A	RELEASED	J05-0356	N.S.	6/20/05					0.5mm PITCH CONNECTOR FOR FPC VLL Series			
D	REVISED	J07-0530	N.S.	2007-10-25	$\pm 2'$				dwg no		sheet 1 of 5	size
E	REVISED	J08-0283	N.S.	2008-7-1	dr		N.SASAME 2010-6-23		10051922		A3	
F	REVISED	J09-0178	N.S.	2009-5-7	enr		N.SASAME 2010-6-23		type		Product Customer Drawing	
G	ADDEDP/N	J10-0142	N.S.	2010-6-4	chr		2010-6-23					
H	REVISED	J10-0171	N.S.	2010-6-23	appd		2010-6-23					
sheet	revision	H	H	H	H	H						
index	sheet	1	2	3	4	5						

Copyright FCI
 FCIconnect.com

CONNECTOR ASSY

<P/N composition> <P/N 構成>

10051922- 24 1 LF

- Lead free
鉛フリー品
- Contact point plating variation (1: Au plating)
接点めっきバリエーション(1:金めっき)
- The number of contacts 極数
- Series name
シリーズ名

PARTS TABLE 部品表

No.	Part name 部品名	Material 材質	Finish めっき	Note 備考
①	Housing ハウジング	Enter glass fiber LCP resin ガラス繊維入り LCP樹脂	—	色:乳白色, UL94V-0 Color: Natural, UL94V-0
②	Actuator アクチュエーター	Enter glass fiber 9TPA resin ガラス繊維入り ポリアミド9T	—	色:黒, UL94V-0 Color: Black, UL94V-0
③	Contact コンタクト	Copper alloy 銅合金	Au plating (Nickel underplating) 金めっき (ニッケル下地めっき)	ニッケルダムあり With Ni dam on the contact
④	Fitting nail (Right side) 補強金具 (右側)	Copper alloy 銅合金	Tin alloy plating (Nickel underplating) スズ合金めっき (ニッケル下地めっき)	—
⑤	Fitting nail (Left side) 補強金具 (左側)	Copper alloy 銅合金	Tin alloy plating (Nickel underplating) スズ合金めっき (ニッケル下地めっき)	—

Au	14.5	15.72	17.5	1	1	30	1	1	10051922-301LF
	13.5	14.72	16.5	1	1	28	1	1	10051922-281LF
	12.5	13.72	15.5	1	1	26	1	1	10051922-261LF
	11.5	12.72	14.5	1	1	24	1	1	10051922-241LF
	10.5	11.72	13.5	1	1	22	1	1	10051922-221LF
	9.5	10.72	12.5	1	1	20	1	1	10051922-201LF
	9	10.22	12	1	1	19	1	1	10051922-191LF
	8.5	9.72	11.5	1	1	18	1	1	10051922-181LF
	7.5	8.72	10.5	1	1	16	1	1	10051922-161LF
	7	8.22	10	1	1	15	1	1	10051922-151LF
	6.5	7.72	9.5	1	1	14	1	1	10051922-141LF
	5.5	6.72	8.5	1	1	12	1	1	10051922-121LF
	5	6.22	8	1	1	11	1	1	10051922-111LF
	4.5	5.72	7.5	1	1	10	1	1	10051922-101LF
3.5	4.72	6.5	1	1	8	1	1	10051922-081LF	
CONTACT PLATING	DIM "C"	DIM "B"	DIM "A"	⑤ FITTING NAIL(L) QTY	④ FITTING NAIL(R) QTY	③ CONTACT QTY	② ACTUATOR QTY	① HOUSING QTY	PRODUCT NO.

mat'l. code ---				surface ISO 1302 ✓			tolerance ISO 406 ISO 1101			projection 		product family 59GF FLEX 0.5		CODE JP	
itr description ecn no dr date				tolerances unless otherwise specified			angles linear		mm		title ASSEMBLY 0.5mm PITCH CONNECTOR FOR FPC VLL Series				
A RELEASED J05-0356 N.S 6/20/05				±2°			0.X ±0.3 0.XX ±0.3 0.XXX ±0.3		scale 10:1		dwg no sheet 2 of 5 size 10051922 A3				
E REVISED J08-0283 N.S 2008-7-1 dr N.SASAME 2010-6-23				F REVISED J09-0178 N.S 2009-5-7 engr N.SASAME 2010-6-23		G ADDEDP/N J10-0142 N.S 2010-6-4 chr Y. Yamaguchi 2010-6-23		H REVISED J10-0171 N.S 2010-6-23 appd M. Kato Jun 23/10		type Product Customer Drawing		Rev. H			
sheet index		revision sheet													



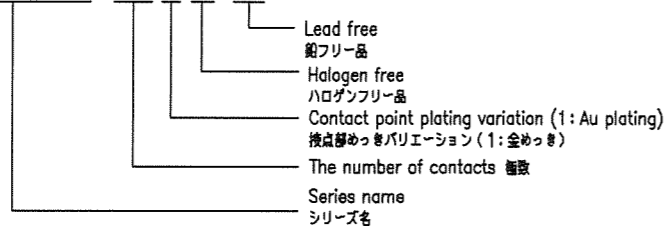
Copyright FCI

CONNECTOR ASSY

HALOGEN FREE

<P/N composition> <P/N 構成>

10051922-24 1 H LF



PARTS TABLE 部品表

No.	Part name 部品名	Material 材質	Finish めっき	Note 備考
①	Housing ハウジング	Enter glass fiber LCP resin ガラス繊維入り LCP 樹脂	—	色: 乳白色, UL94V-0 Color: Natural, UL94V-0
②	Actuator アクチュエーター	Enter glass fiber LCP resin ガラス繊維入り LCP 樹脂	—	色: 乳白色, UL94V-0 Color: Natural, UL94V-0
③	Contact コンタクト	Copper alloy 銅合金	Au plating (Nickel underplating) 金めっき (ニッケル下地めっき)	ニッケルダムあり With Ni dam on the contact
④	Fitting nail (Right side) 補強金具 (右側)	Copper alloy 銅合金	Tin alloy plating (Nickel underplating) スズ合金めっき (ニッケル下地めっき)	—
⑤	Fitting nail (Left side) 補強金具 (左側)	Copper alloy 銅合金	Tin alloy plating (Nickel underplating) スズ合金めっき (ニッケル下地めっき)	—

Au	14.5	15.72	17.5	1	1	30	1	1	10051922-301HLF
	13.5	14.72	16.5	1	1	28	1	1	10051922-281HLF
	12.5	13.72	15.5	1	1	26	1	1	10051922-261HLF
	11.5	12.72	14.5	1	1	24	1	1	10051922-241HLF
	10.5	11.72	13.5	1	1	22	1	1	10051922-221HLF
	9.5	10.72	12.5	1	1	20	1	1	10051922-201HLF
	9	10.22	12	1	1	19	1	1	10051922-191HLF
	8.5	9.72	11.5	1	1	18	1	1	10051922-181HLF
	7.5	8.72	10.5	1	1	16	1	1	10051922-161HLF
	7	8.22	10	1	1	15	1	1	10051922-151HLF
	6.5	7.72	9.5	1	1	14	1	1	10051922-141HLF
	5.5	6.72	8.5	1	1	12	1	1	10051922-121HLF
	5	6.22	8	1	1	11	1	1	10051922-111HLF
	4.5	5.72	7.5	1	1	10	1	1	10051922-101HLF
	3.5	4.72	6.5	1	1	8	1	1	10051922-081HLF

CONTACT PLATING	DIM "C"	DIM "B"	DIM "A"	⑤ FITTING NAIL(L) QTY	④ FITTING NAIL(R) QTY	③ CONTACT QTY	② ACTUATOR QTY	① HOUSING QTY	PRODUCT NO.
-----------------	---------	---------	---------	-----------------------	-----------------------	---------------	----------------	---------------	-------------

mat'l. code ---				surface ISO 1302 ✓		tolerance ISO 406 ISO 1101		projection 		product family 59GF FLEX 0.5		CODE JP	
ltr description ecn no dr date				tolerances unless otherwise specified		linear		mm		title ASSEMBLY 0.5mm PITCH CONNECTOR FOR FPC VLL Series			
				angles ±2°		0.X ±0.3 0.XX ±0.3 0.XXX ±0.3		scale 10:1		dwg no sheet 3 of 5 size 10051922 A3			
				dr N.SASAME 2010-6-23		engr N.SASAME 2010-6-23				type Product Customer Drawing			
G ADDEDP/N J10-0142 N.S 2010-6-4 chr Y. Kameda 2010-6-23				H REVISED J10-0171 N.S 2010-6-23 appd M. Goto Jun 23/10						Rev. H			
sheet index		revision sheet											



Copyright FCI

PRODUCT NO.	DIM "A"	DIM "B"	DIM "C"	DIM "D"	DIM "E"	CONTACT PLATING	Emboss QTY.	TOOLING AVAILABLE
10051922-0810ELF	16	7.5	21.5	8	--	Au	4500	YES
10051922-1010ELF								YES
10051922-1110ELF								YES
10051922-1210ELF								YES
10051922-1410ELF								YES
10051922-1510ELF	24	11.5	29.5	8	--	Au	4500	YES
10051922-1610ELF								YES
10051922-1810ELF								YES
10051922-1910ELF								YES
10051922-2010ELF								YES
10051922-2210ELF	32	14.2	37.5	8	28.4	Au	4500	YES
10051922-2410ELF								YES
10051922-2610ELF								YES
10051922-2810ELF								YES
10051922-3010ELF								YES

PARTS TABLE 部品表

No.	Part name 部品名	Material 材質	QTY.	Note 備考
①	The reel for packaging 梱包用リール	Polystyrene ポリスチレン	1	Color : White, Electrification prevention processing 色 : 白、帯電防止処理品
②	Emboss tape エンボステープ	PET	1	Electrification prevention processing 帯電防止処理品
③	Cover tape カバーテープ	Polyester ポリエステル	1	
④	Connector コネクタ	See sheet 1	4500	APPLIED FOR 8mm PITCH EMBOS TAPE

EMBOSS PACKAGE

NOTE

- This article carries out the emboss tape package of the 0.5mm pitch connector for FPC.
- The shape and dimension of this article are based on JIS C 0806.
(Taping of electronic parts (Surface mounted device))

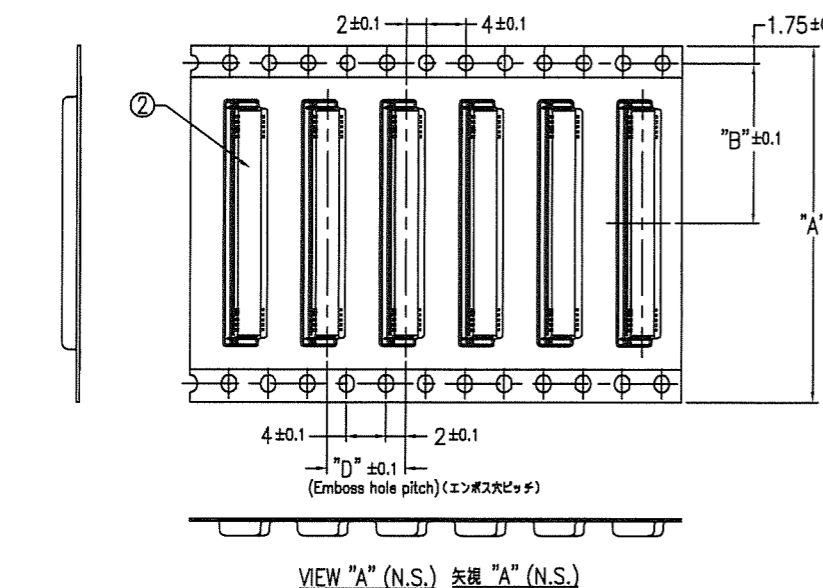
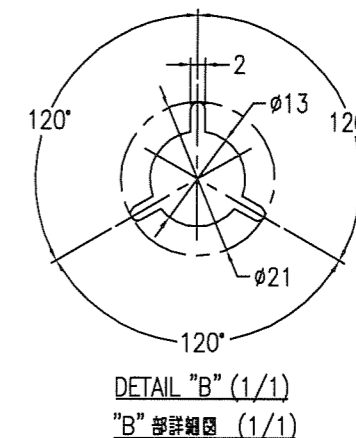
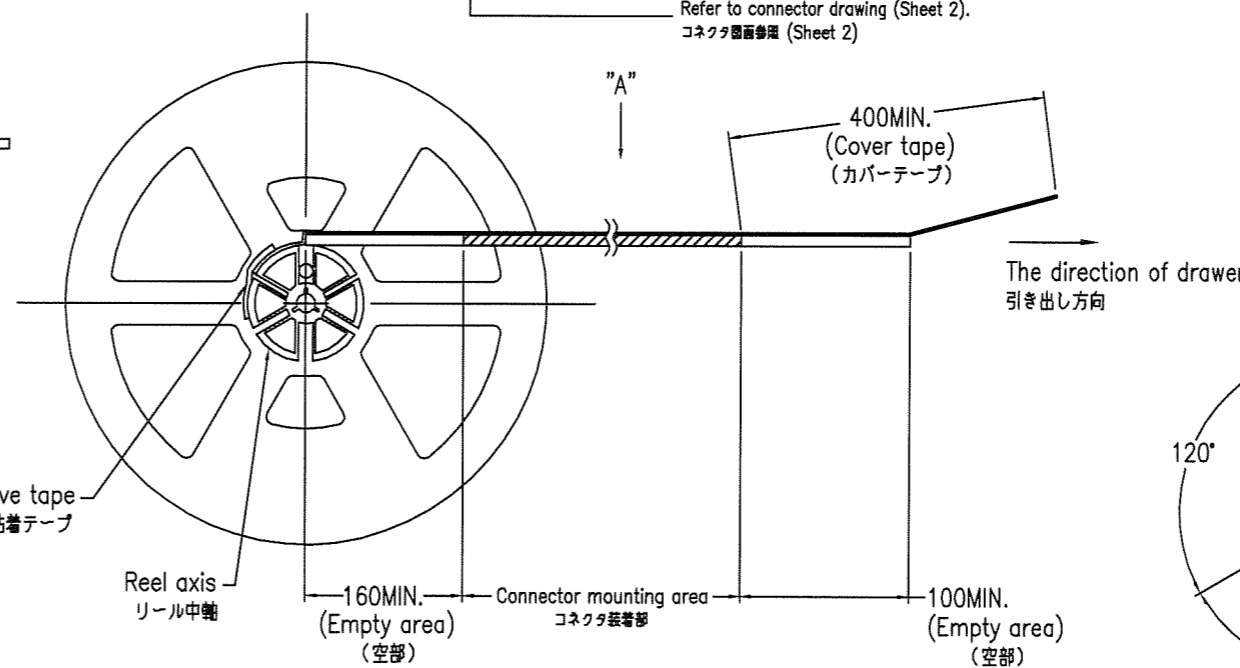
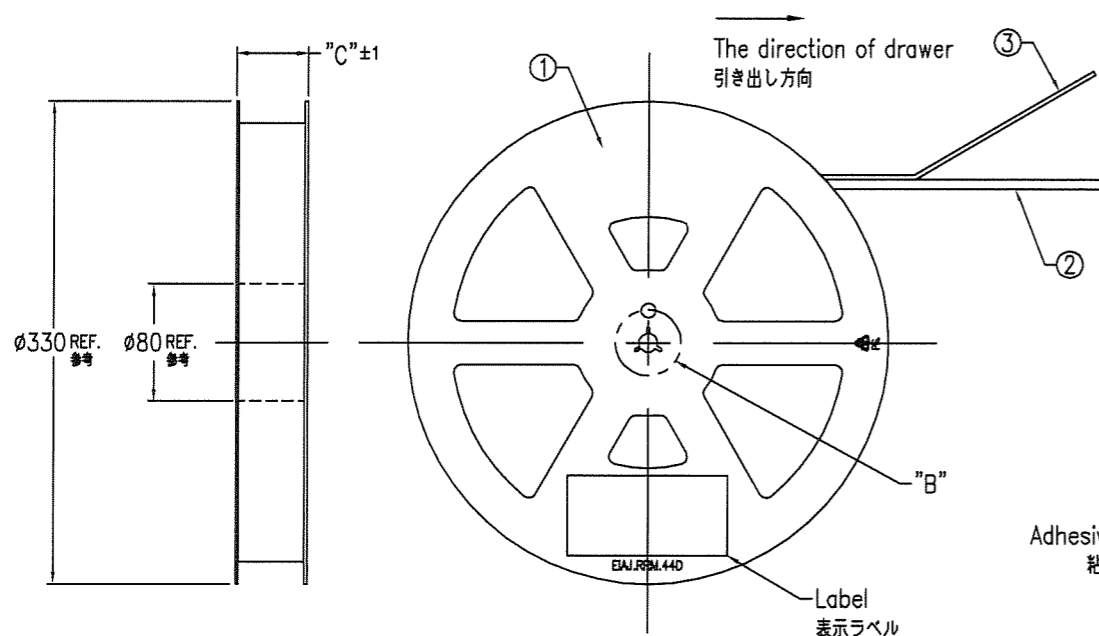
注記

- 本品は 0.5mm ピッチ FPC 用コネクタをエンボステープ梱包したものである。
- 本品の形状及び寸法規定は JIS C 0806 (電子部品のテーピング (表面実装部品)) に準拠する。

<P/N composition> <P/N 構成>

10051922-16 1 0E LF

- Lead free
鉛フリー品
- Packaging form (0E : 8mm emboss pitch, Plastic reel・Embossing tape package)
梱包形態 (0E : 8mmエンボス穴ピッチ、プラスチックリール・エンボステープ梱包)
- Refer to connector drawing (Sheet 2).
コネクタ図面参照 (Sheet 2)



mat'l. code ---				surface ISO 1302 ✓		tolerance ISO 406 ISO 1101		projection mm		product family 59GF FLEX 0.5		CODE JP	
ltr description ecn no dr date				tolerances unless otherwise specified		angles linear		scale 10:1		title ASSEMBLY 0.5mm PITCH CONNECTOR FOR FPC VLL Series			
A RELEASED J05-0356 N.S 6/20/05				0.X ±0.3		±2°				dwg no sheet 4 of 5 size 10051922 A3			
E REVISED J08-0283 N.S 2008-7-1 dr				0.XX ±0.3						type Product Customer Drawing			
F REVISED J09-0178 N.S 2009-5-7 engr				0.XXX ±0.3						Rev. H			
G ADDEDP/N J10-0142 N.S 2010-6-4 chr													
H REVISED J10-0171 N.S 2010-6-23 appd													
sheet revision		index sheet											

PRODUCT NO.	DIM "A"	DIM "B"	DIM "C"	DIM "D"	DIM "E"	CONTACT PLATING	Emboss QTY.	TOOLING AVAILABLE
10051922-0810EHLF	16	7.5	21.5	8	---	Au	4500	YES
10051922-1010EHLF								YES
10051922-1110EHLF								YES
10051922-1210EHLF								YES
10051922-1410EHLF	24	11.5	29.5	8	---	Au	4500	YES
10051922-1510EHLF								YES
10051922-1610EHLF								YES
10051922-1810EHLF								YES
10051922-1910EHLF								YES
10051922-2010EHLF								YES
10051922-2210EHLF	32	14.2	37.5	8	28.4	Au	4500	YES
10051922-2410EHLF								YES
10051922-2610EHLF								YES
10051922-2810EHLF								YES
10051922-3010EHLF								YES
10051922-3010EHLF								YES

PARTS TABLE 部品表

No.	Part name 部品名	Material 材質	QTY.	Note 備考
①	The reel for packaging 梱包用リール	Polystyrene ポリスチレン	1	Color : White, Electrification prevention processing 色:白、帯電防止処理品
②	Emboss tape エンボステープ	PET	1	Electrification prevention processing 帯電防止処理品
③	Cover tape カバーテープ	Polyester ポリエステル	1	
④	Connector コネクタ	See sheet 1	4500	APPLIED FOR 8mm PITCH EMBOS TAPE

EMBOSS PACKAGE

HALOGEN FREE

NOTE

- This article carries out the emboss tape package of the 0.5mm pitch connector for FPC.
- The shape and dimension of this article are based on JIS C 0806.
(Taping of electronic parts (Surface mounted device))

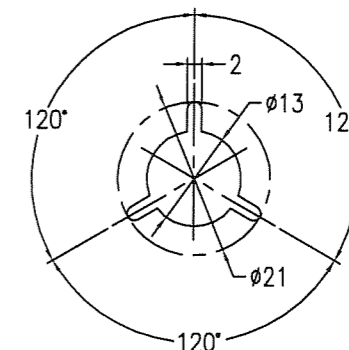
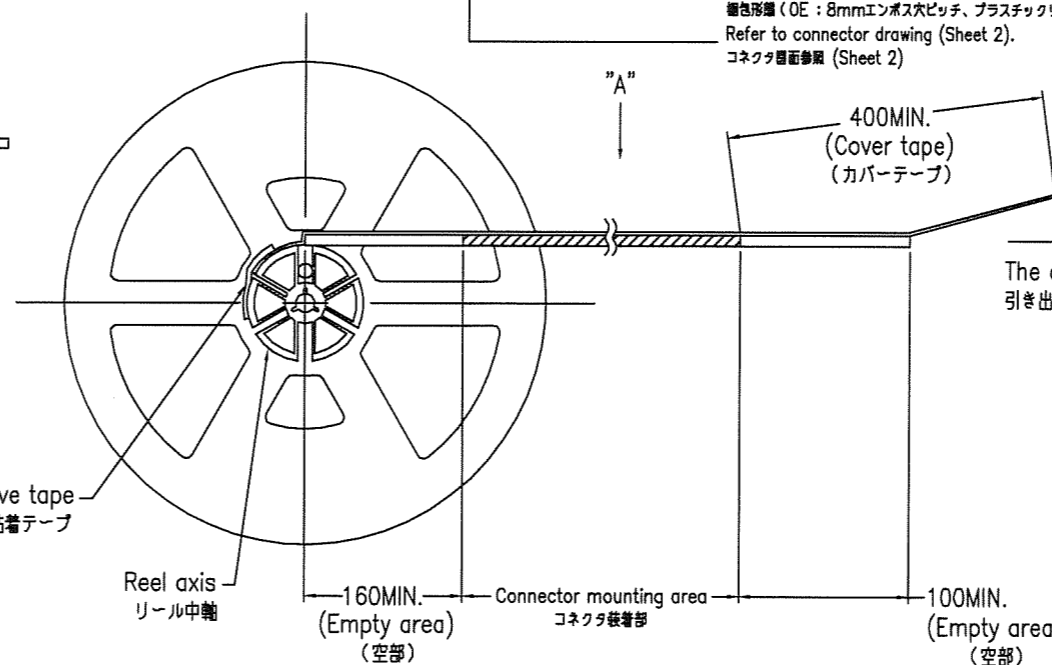
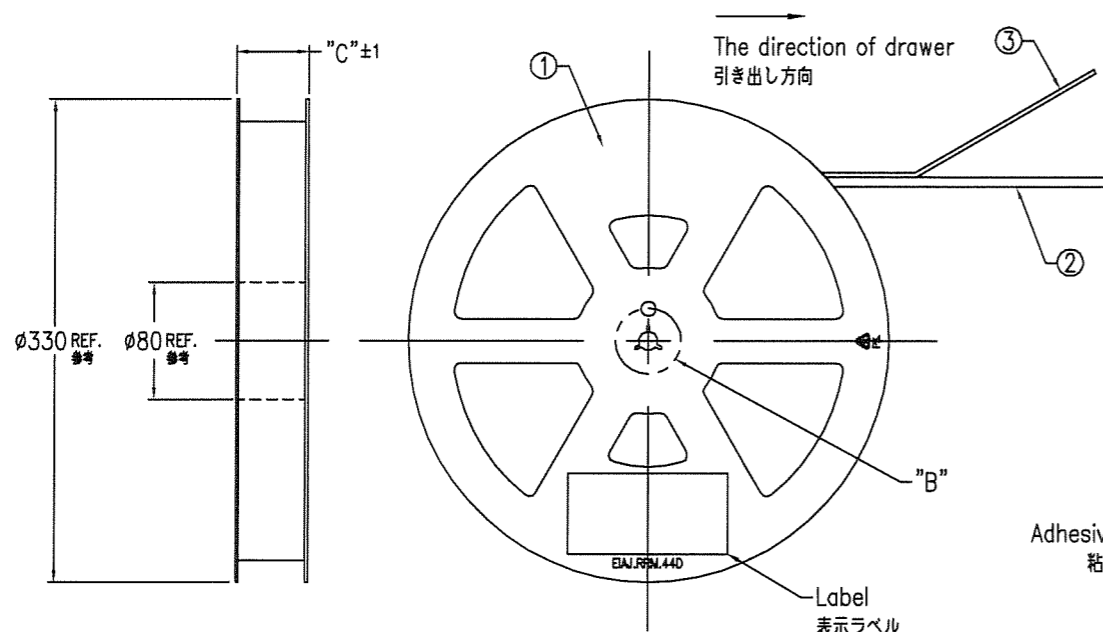
注記

- 本品は 0.5mm ピッチ FPC 用コネクタをエンボステープ梱包したものである。
- 本品の形状及び寸法規定は JIS C 0806 (電子部品のテーピング (表面実装部品)) に準拠する。

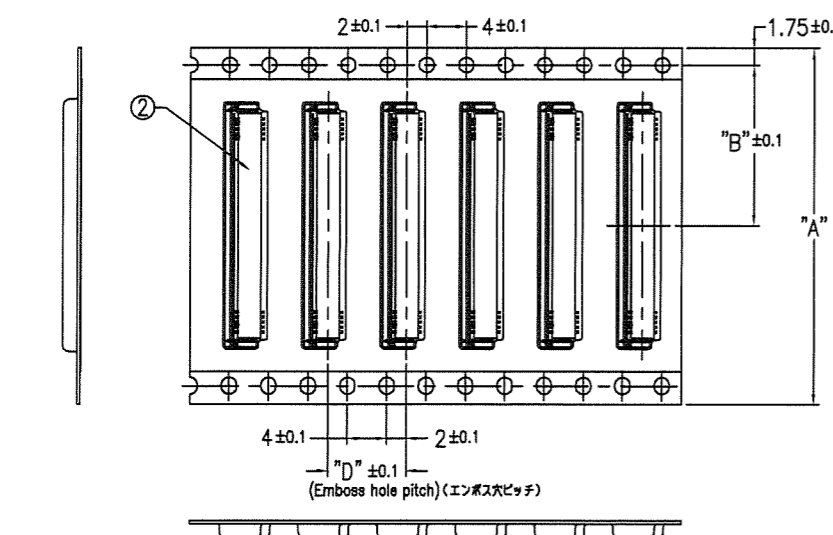
<P/N composition> <P/N 構成>

10051922-16 1 0E H L F

Lead free
鉛フリー品
Halogen free
ハロゲンフリー品
Packaging form (0E : 8mm emboss pitch, Plastic reel・Embossing tape package)
梱包形態 (0E : 8mmエンボス穴ピッチ、プラスチックリール・エンボステープ梱包)
Refer to connector drawing (Sheet 2).
コネクタ図面参照 (Sheet 2)



DETAIL "B" (1/1)
"B" 部詳細図 (1/1)



VIEW "A" (N.S.) 矢視 "A" (N.S.)

mat'l. code ---		surface ISO 1302 ✓		tolerance ISO 406 ISO 1101		projection mm		product family 59GF FLEX 0.5		CODE JP	
ltr description		ecn no		dr date		tolerances unless otherwise specified		title		ASSEMBLY	
						angles linear		0.5mm PITCH CONNECTOR FOR FPC		VLL Series	
						±2'		scale 10:1		sheet 5 of 5 size	
G ADDEDP/N		J10-0142		N.S. 2010-6-4		chr Y. Kameda		10051922		A3	
H REVISED		J10-0171		N.S. 2010-6-23		appd M. Kimura		type Product Customer Drawing		Rev. H	
sheet index		revision sheet									