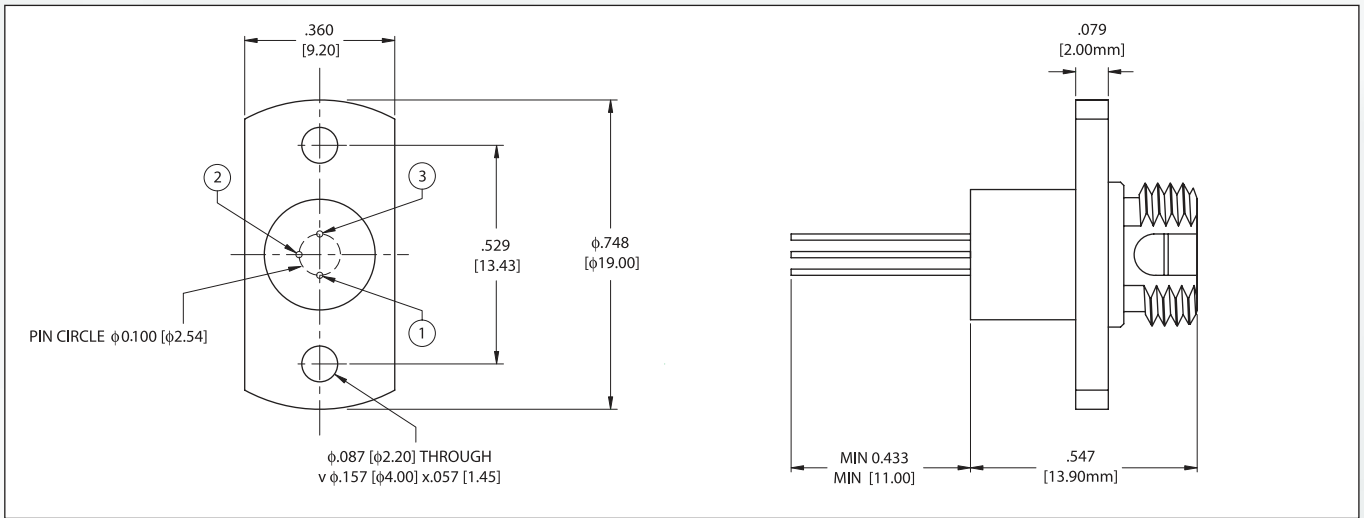
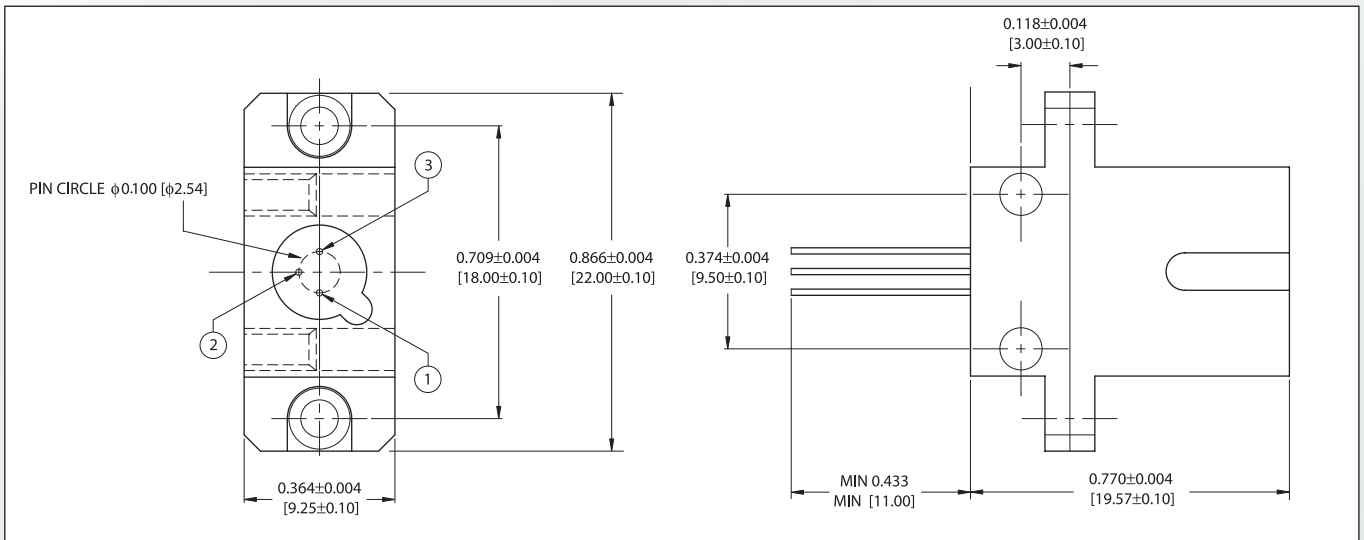


Fiber Optic Receptacles

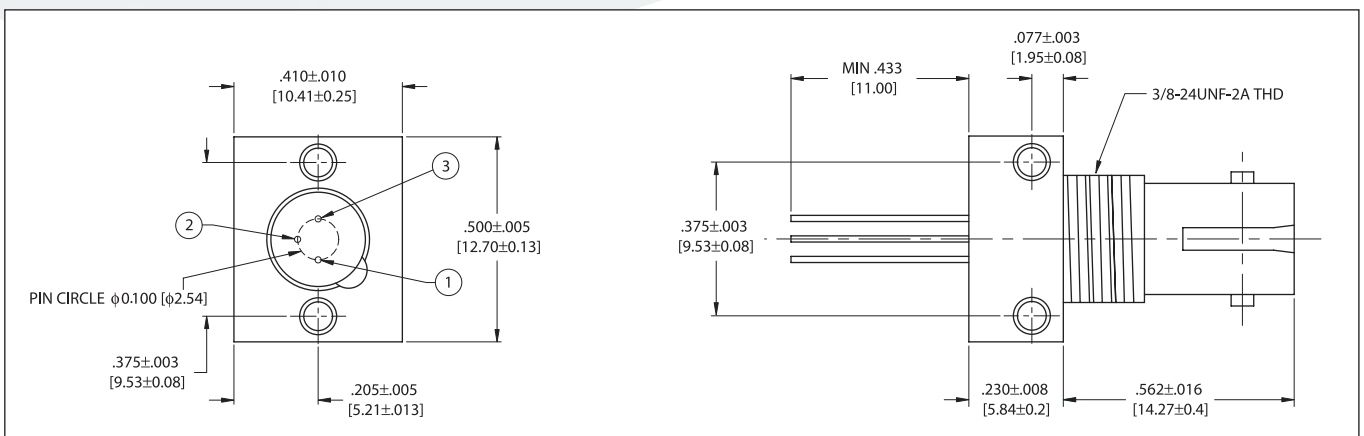
FC / SC / ST Receptacle Packages



FC Receptacle Package



SC Receptacle Package



ST Receptacle Package

Please note that all receptacle-associated photo-detectors carry an additional 0.45dB insertion loss-that is 10% loss to the incident signal power.

PIN	FC/SC/ST	FC/SC/ST
1	ANODE	CATHODE
2	CATHODE	CASE
3	CASE	ANODE