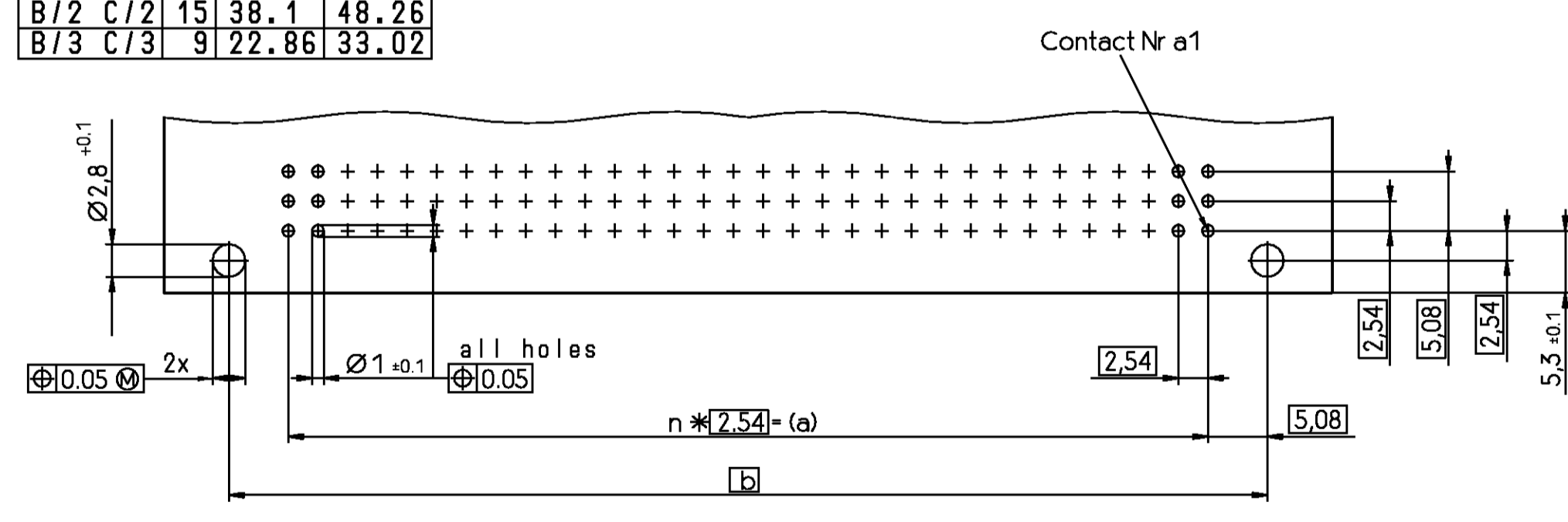


Bauform	n	a	b
B	C	31	78.74
B/2	C/2	15	38.1
B/3	C/3	9	22.86

Mounting holes in PCB



V 4 2 2 5 4 - * 1 * * * - + * * *

B : Standard version
F : Version with flux tight coating

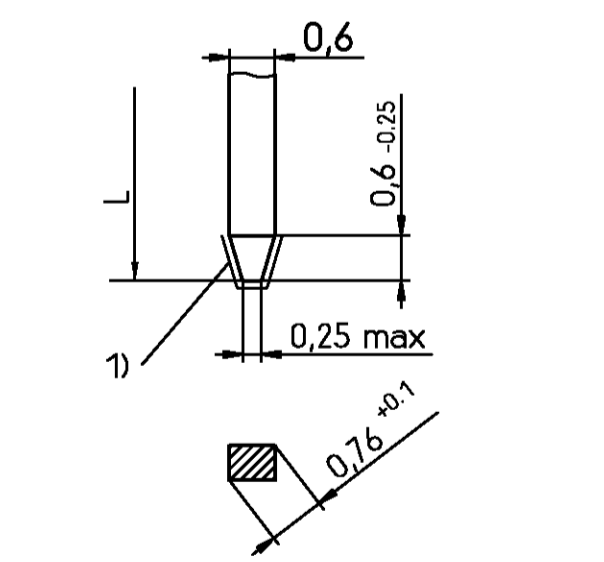
code for performance level
code for termination style

Style, no of contacts and contact assignment see page 2

THIS INFORMATION IS CONFIDENTIAL AND PROPRIETARY TO TYCO ELECTRONICS CORPORATION AND ITS WORLDWIDE SUBSIDIARIES AND AFFILIATES. IT MAY NOT BE DISCLOSED TO ANYONE, OTHER THAN TYCO ELECTRONICS CORPORATION, WITHOUT WRITTEN AUTHORIZATION FROM TYCO ELECTRONICS CORPORATION, HARRISBURG, PENNSYLVANIA USA.

Termination Style

Soldering/Wire-Wrap pins

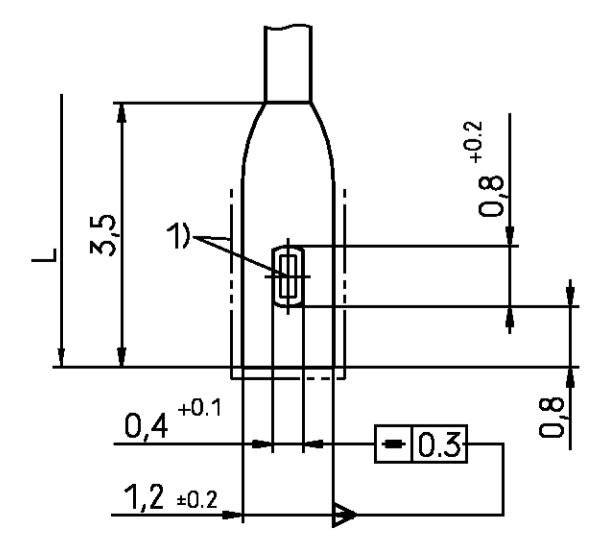


L	Code
3 -0.4	00
2.9±0.3	01
4.5±0.3	02
13 +0.5	40
11 +0.5	41
17 +0.5	42
Soldering lugs	35
5.5±0.3	
10 -0.5	

1) Cutting, edges not plated

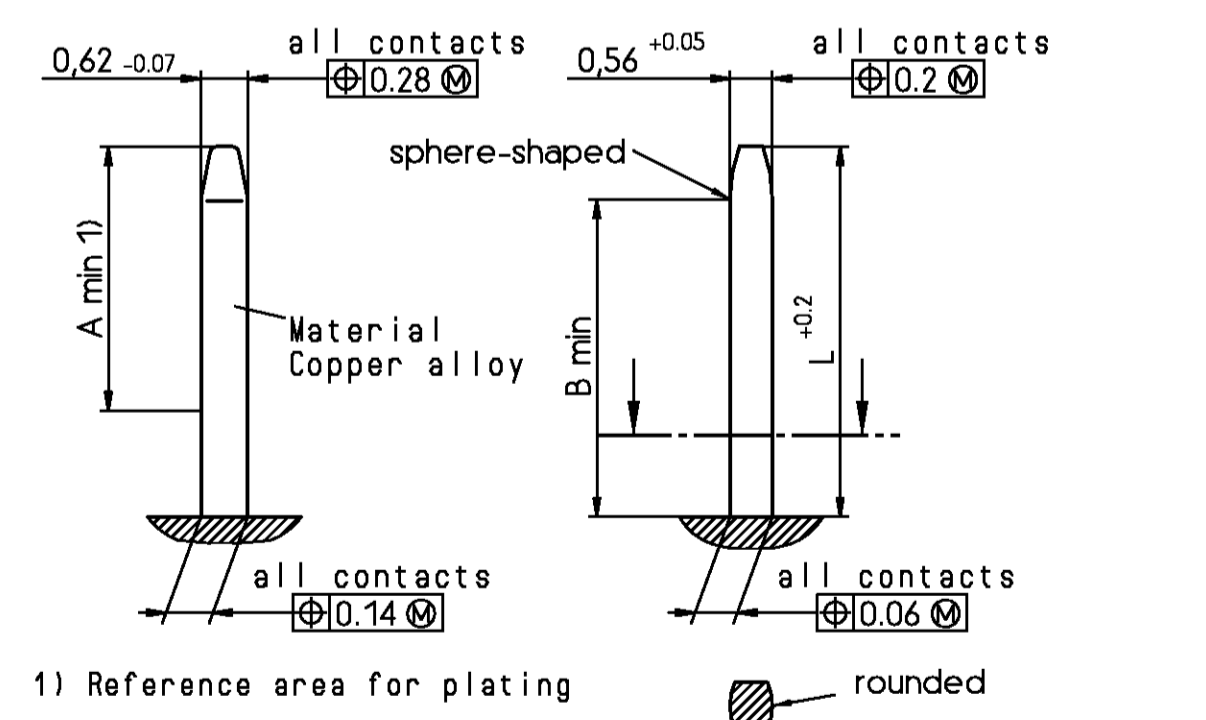
Terminations with galvanic Sn plating

Soldering lug



V42254-B1***-C***

Contact: Dimensions, plating, material, pre-mating



1) Reference area for plating

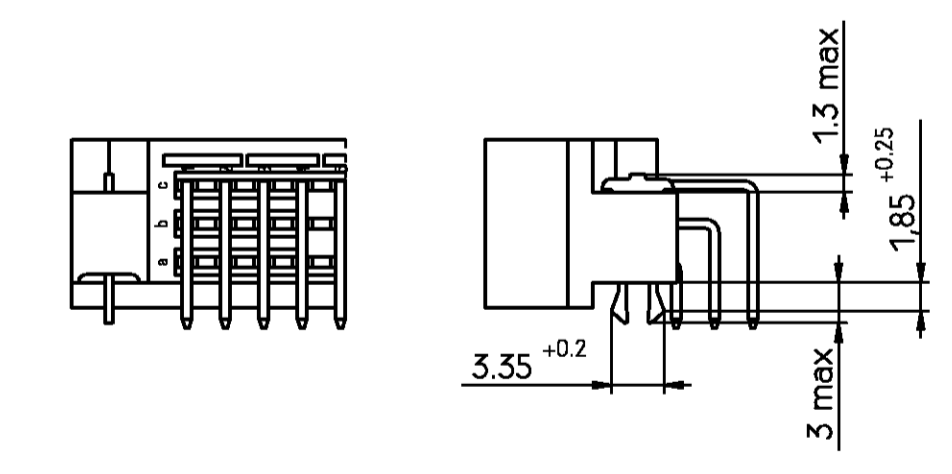
	L	A	B
normal contacts	4.8	3.5	4.2
pre-mating contacts	5.8	4.5	5.2

V42254-B1***-C***

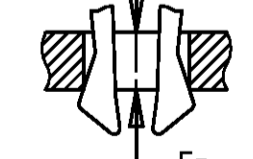
Performance level acc to DIN41612 and IEC603-2	Noble metals	Code
Class I	PdNi + Au or Au	1
	Au	4
Class II	PdNi + Au or Au	2
	Au	5
Class III	PdNi + Au or Au	3

Nickel underlayer
Protection film: HF-grease

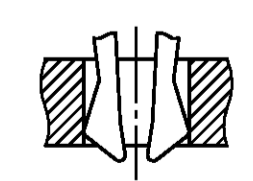
Male connector with board locks



Mounted in PC-boards of 1.5 to 1.8 mm
F_m = Mounting force (for 1 connector = 2 Clips)
F_m < 60 N
F_r >= 20 N
F_r >= 200 N, wenn soldered-in



Mounted in PC-boards over 1.8 mm
F_m < 60 N
F_r >= 16 N



tyco TYCO ELECTRONICS CORPORATION		SCALE	WEIGHT
EOSTKAMP - BELGIUM		MATERIAL	
Electronics	LOC DIMENSIONS IN MM	PART NAME	
B4 SR10-0177-03	18 JUN 03 KV	DATE 10.02.89	
B3 SR10-0415-02	16 Sep 02 BC	NAME Clavelier	
B2 SR10-0157-02	13 Mar 02 BC	DEP PD COM	
B1 SR10-0130-02	28 feb 02 BC		
B SR10-0198-01	21.05.01 BC		
A WO 007012	20.07.00 VS	TOLERANCE UNLESS SPECIFIED OTHERWISE	
06 WO 9971035	27.09.99 CLV		
05 WO 9971032	07.09.99 CLV		
REV. CHANGE ORDER	DATE APP	Customer Drawing Nr. C 1392009-8	
PART NO. V42254-B1***-C***-7626		SHT. 1+	
		OF 2	

Product description code	Part Number	Style & Number of Positions	Termination Posts	Loaded Rows	Standard Pre-Mating (mm J)	Performance Level	Board Locks
V42254-B1100-B200	1393644-1	B20	right-angle solder leads	every row , every pitch	No	1	No
V42254-B1100-B230	1393644-2	B20	right-angle solder leads	every row , every pitch	Yes	1	No
V42254-B1100-B320	1393644-3	B32	right-angle solder leads	every row , every pitch	No	1	No
V42254-B1100-B640	1393644-4	B64	right-angle solder leads	every row , every pitch	No	1	No
V42254-B1100-B641	1393644-5	B64	right-angle solder leads	row a , every pitch	No	1	No
V42254-B1100-B645	1393644-6	B64	right-angle solder leads	every row , every even pitch	No	1	No
V42254-B1100-C480	1393644-9	C48	right-angle solder leads	every row , every pitch	No	1	No
V42254-B1100-C483	1-1393644-0	C48	right-angle solder leads	row atc , every pitch	No	1	No
V42254-B1100-C910	1-1393644-2	C96	right-angle solder leads	every row , every pitch	No	1	Yes
V42254-B1100-C960	1-1393644-6	C96	right-angle solder leads	every row , every pitch	No	1	No
V42254-B1100-C963	1-1393644-7	C96	right-angle solder leads	row atc , every pitch	No	1	No
V42254-B1100-C965	1-1393644-8	C96	right-angle solder leads	every row , every even pitch	No	1	No
V42254-B1100-C968	1-1393644-9	C96	right-angle solder leads	row atc , every even pitch	No	1	No
V42254-B1100-C968H	2-1393644-0	C96	right-angle solder leads	row atc , every even pitch	No	1	No
V42254-B1101-B230	3-1393644-2	B20	2,9mm straight solder leads	every row , every pitch	Yes	1	No
V42254-B1102-B320	3-1393644-3	B32	4,5mm straight solder leads	every row , every pitch	No	1	No
V42254-B1102-B640	3-1393644-4	B64	4,5mm straight solder leads	every row , every pitch	No	1	No
V42254-B1102-C960	3-1393644-5	C96	4,5mm straight solder leads	every row , every pitch	No	1	No
V42254-B1102-C963	3-1393644-6	C96	4,5mm straight solder leads	row atc , every pitch	No	1	No
V42254-B1135-B640	4-1393644-0	B64	solder lugs	every row , every pitch	No	1	No
V42254-B1200-B200	5-1393644-6	B20	right-angle solder leads	every row , every pitch	No	2	No
V42254-B1200-B310	5-1393644-8	B32	right-angle solder leads	every row , every pitch	No	2	Yes
V42254-B1200-B320	5-1393644-9	B32	right-angle solder leads	every row , every pitch	No	2	No
V42254-B1200-B321	6-1393644-0	B32	right-angle solder leads	row a , every pitch	No	2	No
V42254-B1200-B610	6-1393644-3	B64	right-angle solder leads	every row , every pitch	No	2	Yes
V42254-B1200-B611	6-1393644-4	B64	right-angle solder leads	row a , every pitch	No	2	Yes
V42254-B1200-B630	6-1393644-5	B64	right-angle solder leads	every row , every pitch	Yes	2	No
V42254-B1200-B640	6-1393644-6	B64	right-angle solder leads	every row , every pitch	No	2	No
V42254-B1200-B641	6-1393644-7	B64	right-angle solder leads	row a , every pitch	No	2	No
V42254-B1200-B645	6-1393644-8	B64	right-angle solder leads	every row , every even pitch	No	2	No
V42254-B1200-C300	6-1393644-9	C30	right-angle solder leads	every row , every pitch	No	2	No
V42254-B1200-C303	7-1393644-0	C30	right-angle solder leads	row atc , every pitch	No	2	No
V42254-B1200-C310	7-1393644-1	C30	right-angle solder leads	every row , every pitch	No	2	Yes
V42254-B1200-C313	7-1393644-2	C30	right-angle solder leads	row atc , every pitch	No	2	Yes
V42254-B1200-C410	7-1393644-4	C48	right-angle solder leads	every row , every pitch	No	2	Yes
V42254-B1200-C413	7-1393644-5	C48	right-angle solder leads	row atc , every pitch	No	2	Yes
V42254-B1200-C430	7-1393644-6	C48	right-angle solder leads	every row , every pitch	Yes	2	No
V42254-B1200-C433	7-1393644-7	C48	right-angle solder leads	row atc , every pitch	No	2	No
V42254-B1200-C453	7-1393644-9	C48	right-angle solder leads	row atc , every pitch	Yes	2	Yes
V42254-B1200-C480	8-1393644-0	C48	right-angle solder leads	every row , every pitch	No	2	No
V42254-B1200-C483	8-1393644-1	C48	right-angle solder leads	row atc , every pitch	No	2	No
V42254-B1200-C485	8-1393644-2	C48	right-angle solder leads	every row , every even pitch	No	2	No
V42254-B1200-C910	8-1393644-3	C96	right-angle solder leads	every row , every pitch	No	2	Yes
V42254-B1200-C912	8-1393644-4	C96	right-angle solder leads	row atb , every pitch	No	2	Yes
V42254-B1200-C913	8-1393644-5	C96	right-angle solder leads	row atc , every pitch	No	2	Yes
V42254-B1200-C918	8-1393644-6	C96	right-angle solder leads	row atc , every even pitch	No	2	Yes
V42254-B1200-C930	8-1393644-7	C96	right-angle solder leads	every row , every pitch	Yes	2	No
V42254-B1200-C933	8-1393644-8	C96	right-angle solder leads	row atc , every pitch	Yes	2	No
V42254-B1200-C938	8-1393644-9	C96	right-angle solder leads	row atc , every even pitch	Yes	2	No
V42254-B1200-C953	9-1393644-0	C96	right-angle solder leads	row atc , every pitch	Yes	2	Yes
V42254-B1200-C960	9-1393644-1	C96	right-angle solder leads	every row , every pitch	No	2	No
V42254-B1200-C960B	9-1393644-2	C96	right-angle solder leads	every row , every pitch	No	2	No
V42254-B1200-C961	9-1393644-3	C96	right-angle solder leads	row a , every pitch	No	2	No
V42254-B1200-C963	9-1393644-4	C96	right-angle solder leads	row atc , every pitch	No	2	No
V42254-B1200-C963B	9-1393644-5	C96	right-angle solder leads	row atc , every pitch	No	2	No
V42254-B1200-C965	9-1393644-6	C96	right-angle solder leads	every row , every even pitch	No	2	No
V42254-B1200-C968	9-1393644-7	C96	right-angle solder leads	row atc , every even pitch	No	2	No
V42254-B1201-B640	2-1393645-5	B32	2,9mm straight solder leads	every row , every pitch	No	2	No
V42254-B1201-B640	1392009-8	B64	2,9mm straight solder leads	every row , every pitch	No	2	No
V42254-B1201-C300	2-1393645-6	C30	2,9mm straight solder leads	every row , every pitch	No	2	No
V42254-B1201-C480	2-1393645-7	C48	2,9mm straight solder leads	every row , every pitch	No	2	No
V42254-B1201-C960	2-1393502-6	C96	2,9mm straight solder leads	every row , every pitch	No	2	No
V42254-B1201-C963	2-1393502-7	C96	2,9mm straight solder leads	row atc , every pitch	No	2	No
V42254-B1202-B200	2-1393645-9	B20	4,5mm straight solder leads	every row , every pitch	No	2	No
V42254-B1202-B320	3-1393645-0	B32	4,5mm straight solder leads	every row , every pitch	No	2	No
V42254-B1202-B640	3-1393645-1	B64	4,5mm straight solder leads	every row , every pitch	No	2	No
V42254-B1202-C300	1392009-9	C30	4,5mm straight solder leads	every row , every pitch	No	2	No
V42254-B1202-C480	3-1393645-4	C48	4,5mm straight solder leads	every row , every pitch	No	2	No
V42254-B1202-C483	3-1393645-5	C48	4,5mm straight solder leads	row atc , every pitch	No	2	No
V42254-B1202-C960	3-1393645-6	C96	4,5mm straight solder leads	every row , every pitch	No	2	No
V42254-B1202-C963	3-1393645-7	C96	4,5mm straight solder leads	row atc , every pitch	No	2	No
V42254-B1202-C968	3-1393645-8	C96	4,5mm straight solder leads	row atc , every even pitch	No	2	No
V42254-B1235-C480	4-1393645-5	C48	solder lugs	every row , every pitch	No	2	No
V42254-B1235-C960	4-1393645-7	C96	solder lugs	every row , every pitch	No	2	No
V42254-B1235-C963	4-1393645-8	C96	solder lugs	row atc , every pitch	No	2	No
V42254-B1240-B320	5-1393645-1	B32	13mm straight wire-wrap pins	every row , every pitch	No	2	No
V42254-B1240-B640	5-1393645-2	B64	13mm straight wire-wrap pins	every row , every pitch	No	2	No
V42254-B1240-C300	5-1393645-3	C30	13mm straight wire-wrap pins	every row , every pitch	No	2	No
V42254-B1240-C480	5-1393645-4	C48	13mm straight wire-wrap pins	every row , every pitch	No	2	No
V42254-B1240-C960	5-1393645-5	C96	13mm straight wire-wrap pins	every row , every pitch	No	2	No
V42254-B1240-C963	5-1393645-7	C96	13mm straight wire-wrap pins	row atc , every pitch	No	2	No
V42254-B1240-C963B	5-1393645-8	C96	13mm straight wire-wrap pins	row atc , every pitch	No	2	No
V42254-B1300-B640	4-1393646-5	B64	right-angle solder leads	every row , every pitch	No	3	No
V42254-B1300-C960	4-1393646-6	C96	right-angle solder leads	every row , every pitch	No	3	No
V42254-B1300-C963	4-1393646-7	C96	right-angle solder leads	row atc , every pitch	No	3	No
V42254-F1200-C480	1-1393647-2	C48	right-angle solder leads	every row , every pitch	No	2	No
V42254-F1200-C960	1-1393647-3	C96	right-angle solder leads	every row , every pitch	No	2	No
V42254-F1200-C963	1-1393647-4	C96	right-angle solder leads	row atc , every pitch	No	2	No

4) According BT 236 level 2.
3) According BT 222 level 1.
2) Connectors have a flux-tight coating.
1) First and last contact of each loaded row is a pre-mating (make first / break last) contact.

Active part numbers.
Contact Tyco Electronics for other configuration availability

tyco		TYCO ELECTRONICS CORPORATION		SCALE		WEIGHT	
Electronics		COOSTKAMP - BELGIUM		DIMENSIONS IN MM		MATERIAL	
REV		DATE		PART NAME		Pin Assembly Eurocard	
B5 SR10-0415-02		16 Sep 02 BC		Types B, C and short versions			
B2 SR10-0157-02		13 Mar 02 BC		PART NO.		V42254-B1***-C***-7626	
B1 SR10-0130-02		28 Feb 02 BC		TOLERANCE UNLESS SPECIFIED OTHERWISE		SHT. 2-	
B SR10-0198-01		21.05.01 BC		Customer Drawing Nr. C 1392009-B		OF 2	
A WVO 00/7012		20.07.00 V/S					

THIS INFORMATION IS CONFIDENTIAL AND PROPRIETARY TO TYCO ELECTRONICS CORPORATION AND ITS WORLDWIDE SUBSIDIARIES AND AFFILIATES. IT MAY NOT BE DISCLOSED TO ANYONE, OTHER THAN TYCO ELECTRONICS CORPORATION, WITHOUT WRITTEN AUTHORIZATION FROM TYCO ELECTRONICS CORPORATION, HARRISBURG, PENNSYLVANIA USA.