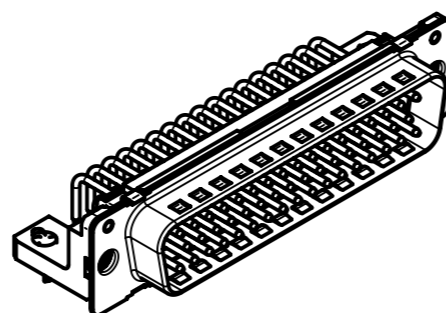


| Part number   | performance level | nut thread |
|---------------|-------------------|------------|
| 0966 562 7815 | AU3               | M3         |
| 0966 562 7816 | AU3               | 4-40 UNC   |
| 0966 562 6815 | AU2               | M3         |
| 0966 562 6816 | AU2               | 4-40 UNC   |
| 0966 562 5815 | 0,76µm AU         | M3         |
| 0966 562 5816 | 0,76µm AU         | 4-40 UNC   |



Mounting force on Printed board: 25-80 N

|   |  |  |              |                |   |
|---|--|--|--------------|----------------|---|
|   | All rights reserved<br>Department EC PD - CN | All Dimensions in mm<br>Original Size DIN A3     | Scale<br>2:1 | Free size tol. | Ref.<br>Sub.  |
|   |  |  |              |                |   |
| HARTING Electronics GmbH<br>D-32339 Espelkamp |  | Title<br>D-Sub 50-pole male low-profile assembly |              |                | Date<br>2015-10-27                                      |
|   |  | Type<br>TB                                       |              |                | State<br>Final Release                                  |
|   |  | Number<br>0966562X81X                            |              |                | Doc-Key / ECM-Nr.<br>100634741/UGD/000/A<br>50000095926 |
|   |  |  |              |                | Rev. A  |
|   |  |  |              |                | Page 1/1  |

# Mouser Electronics

Authorized Distributor

Click to View Pricing, Inventory, Delivery & Lifecycle Information:

[HARTING:](#)

[09665626815](#) [09665626816](#) [09665627815](#) [09665627816](#)