

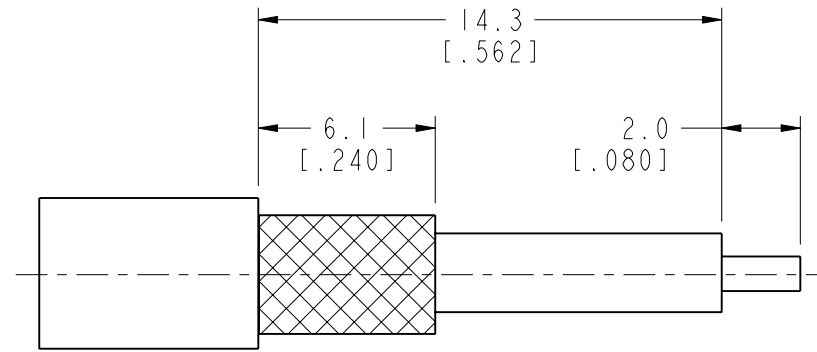
NOTES:

1. MATERIALS OF CONSTRUCTION:
 BODY - BRASS, GOLD PLATING
 CONTACT PIN - BERYLLIUM COPPER, GOLD PLATING
 INSULATOR - PTFE
2. ELECTRICAL:
 A. IMPEDANCE: 50 OHM
 B. FREQUENCY RANGE: DC 0-4 GHz
 C. VSWR: 1.3 MAX
 D. DIELECTRIC WITHSTANDING VOLTAGE: 1000 VRMS, MIN
3. MECHANICAL:
 A. DURABILITY: 500 CYCLES MIN.
 B. TEMPERATURE RANGE: -40°C TO +155°C
4. FOR ASSEMBLY INSTRUCTION SEE AMPHENOL SPEC. 349-50521 SHEET 2.
5. OTHER:
 A. CRIMPED FERRULE: HEX CRIMP SIZE .128"
 B. SOLDER CONTACT CONDUCTOR

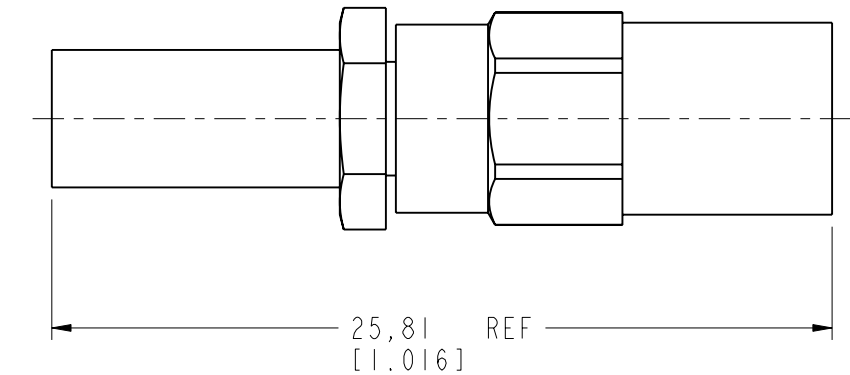
THIRD ANGLE PROJ.

REVISIONS

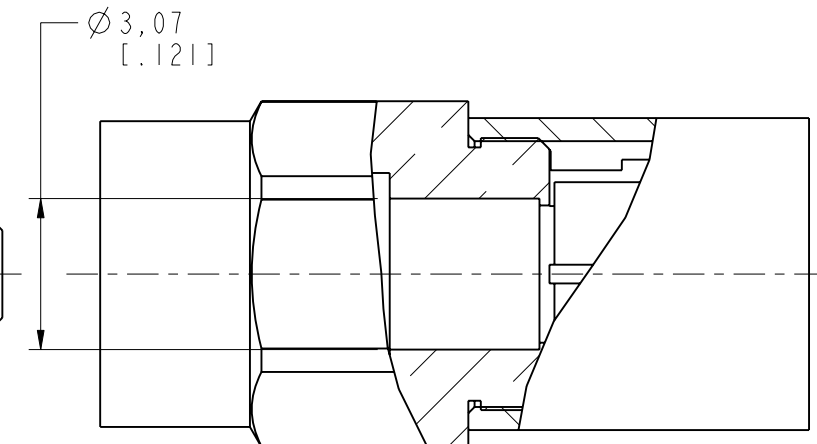
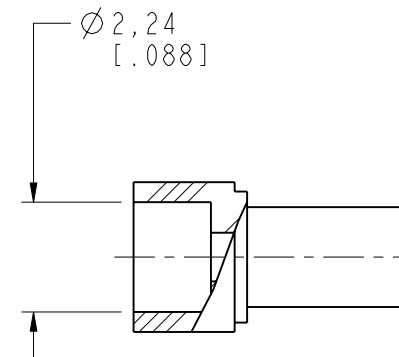
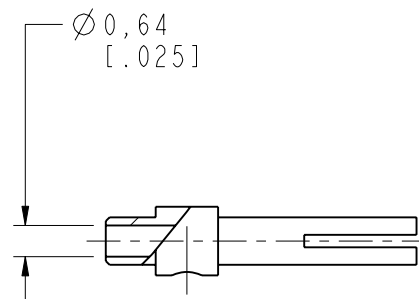
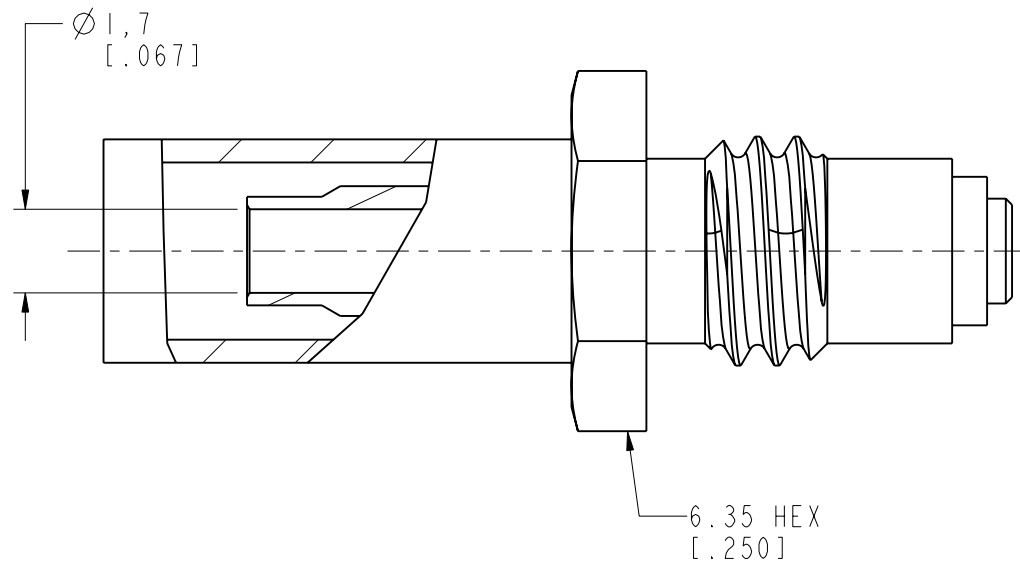
REV	DESCRIPTION	DATE	ECO	APPR
A	RELEASE TO MFG.	9/1/89	36675	PB
G	SYNC ARFA AND DANBURY DRAWINGS	01-Aug-11	48700	SCOTT



RECOMMENDED
CABLE STRIPPING DIMENSION



AFTER ASSEMBLING



CUSTOMER OUTLINE DRAWING

ALL OTHER SHEETS ARE FOR INTERNAL USE ONLY

UNLESS OTHERWISE SPECIFIED, DIMENSIONS ARE IN METRIC AND TOLERANCES ARE:
 <0.5mm ±0.05mm 0.5 - 6mm ±0.1mm 6 - 30mm ±0.2mm 30 - 120mm ±0.3mm ANGLES ±1°

NOTICE - These drawings, specifications, or other data (1) are, and remain the property of Amphenol corp. (2) must be returned upon request; and (3) are confidential and not to be disclosed to any person other than those to whom they are given by Amphenol Corp. the finishing of these drawings, specifications, or other data by Amphenol Corp., or to any other person to anyone for any purpose is not to be regarded by implication or otherwise in any manner licensing, granting rights to permitting such holder or any other person to manufacture, use or sell any product, process or design, patented or otherwise, that may in any way be related to or disclosed by said drawings, specifications, or other data.

MATERIAL SEE NOTE	DRAWN I.XU	DATE 26-Jul-11	TITLE SMB 50 OHM PLUG, CRIMP FOR RG-174, RG-188, 316/U	Amphenol RF Danbury CT USA, Tainan, Taiwan, Shenzhen, China www.amphenolrf.com
	ENGINEER P.BRENZEL	DATE 07-Aug-89		
	APPROVED S.HSIEH	DATE 29-Jul-11		
	CAD FILE			
REFERENCE SAME AS 903-370P-51S			SCALE: 8.0:1.0	SHEET 2 OF 2
FINISH			DWG SIZE B	REV G
				DRAWING NO. 903-285P-51S
				ITEM NO. 903-285P-51S
				PART NO. 903-285P-51S

Mouser Electronics

Authorized Distributor

Click to View Pricing, Inventory, Delivery & Lifecycle Information:

[Amphenol:](#)

[903-285P-51S](#)