

MODEL: CBLT-UA-UC-1WT | **DESCRIPTION:** USB CABLE**FEATURES**

- USB 3.1 Gen 1
- type A male to type C male
- 1 meter
- TPE jacket
- halogen free

**SPECIFICATIONS**

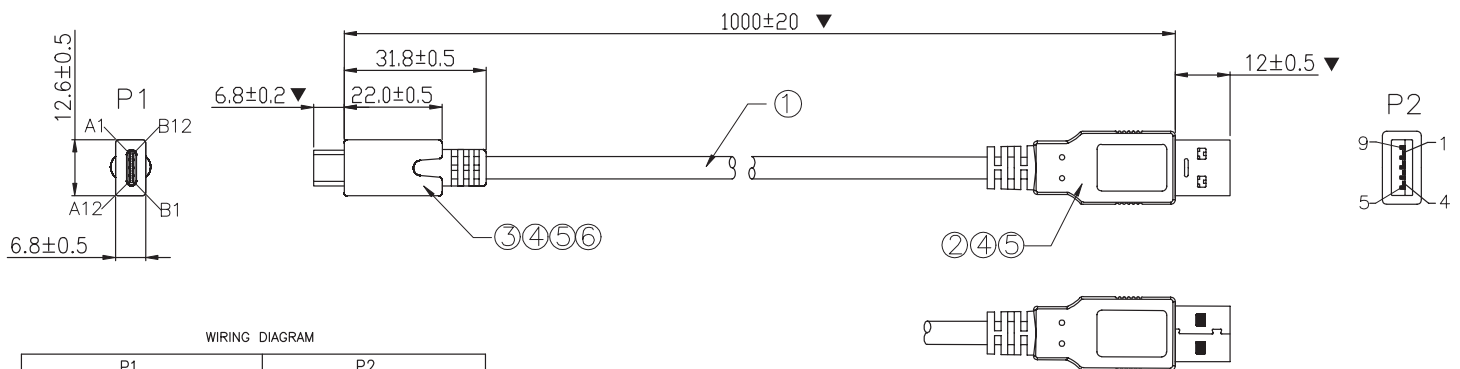
parameter	conditions/description	min	typ	max	units
rated voltage			20		Vdc
rated current				3	A
conductor resistance				5	Ω
insulation resistance	at 300 Vdc / 10 ms	10			M Ω
operating temperature		-20		80	$^{\circ}$ C
storage temperature		-25		80	$^{\circ}$ C
flammability rating	UL94V-0				
RoHS	yes				

MECHANICAL DRAWING

units: mm
 tolerance:
 X.X ±0.2 mm
 X.XX ±0.15 mm
 unless otherwise noted

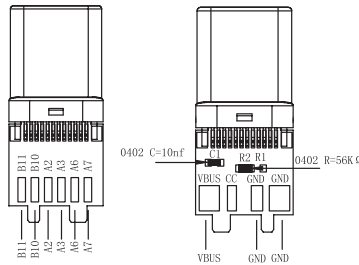
critical dimension: ▼

ITEM	DESCRIPTION	MATERIAL	PLATING/COLOR
1	cable	USB 3.1 Gen 1 OD: 4.2 mm, TPE	white
2	connector 2	USB 3.1 Gen 1 Type A	shell: nickel term.: gold
3	connector 1	USB 3.1 Gen 1 Type C	
4	inner mold	LD-PE	white
5	over mold	TPE	white
6	wire holder	3.1 wire holder OD: 0.8 mm	



WIRING DIAGRAM

	P1		P2	
	Pin	Signal Name	Pin	Signal Name
C1 (00nf 0402)	A1,B1,A12,B12	GND	4	GND
			7	GND_Drain
A4,B4,A9,B9	VBUS	1	VBUS	
A5	CC			
B5	VCONN			
A6	Dp1	3	D+	
A7	Dn1	2	D-	
A2	SSTXp1	6	StdA_SSRX+	
A3	SSTXn1	5	StdA_SSRX-	
B11	SSRXp1	9	StdA_SSTX+	
B10	SSRXn1	8	StdA_SSTX-	
SHELL	SHIELD	SHELL	SHIELD	

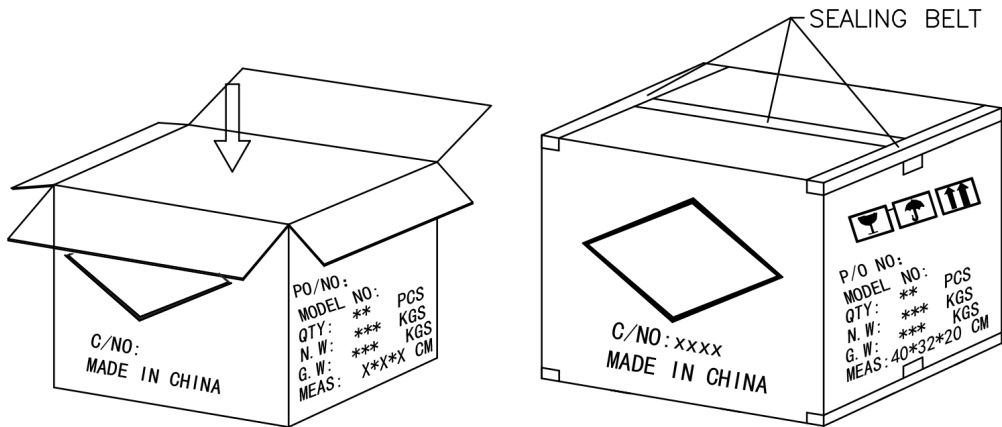
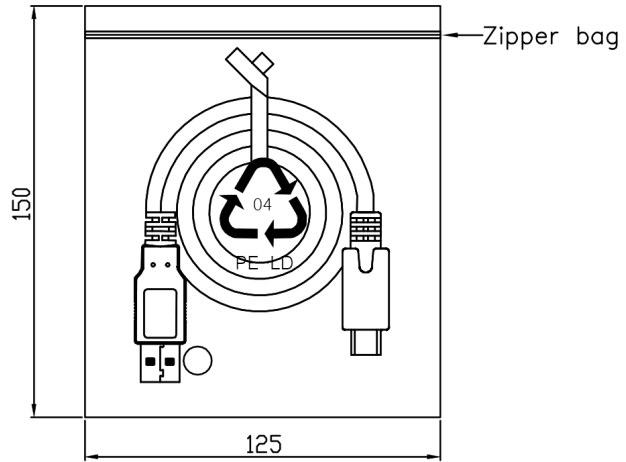
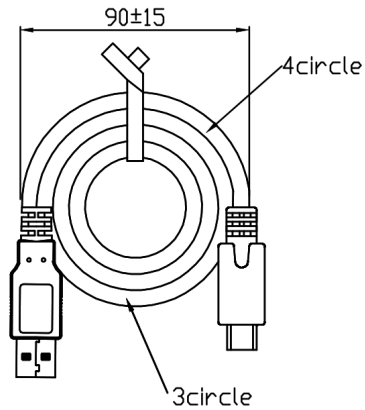


PACKAGING

units: mm

Carton Size: 400 x 320 x 200 mm

Carton QTY: 200 pcs



REVISION HISTORY

rev.	description	date
1.0	initial release	12/11/2018
1.01	brand update	02/17/2020

The revision history provided is for informational purposes only and is believed to be accurate.

CUI DEVICES

CUI Devices offers a one (1) year limited warranty. Complete warranty information is listed on our website.

CUI Devices reserves the right to make changes to the product at any time without notice. Information provided by CUI Devices is believed to be accurate and reliable. However, no responsibility is assumed by CUI Devices for its use, nor for any infringements of patents or other rights of third parties which may result from its use.

CUI Devices products are not authorized or warranted for use as critical components in equipment that requires an extremely high level of reliability. A critical component is any component of a life support device or system whose failure to perform can be reasonably expected to cause the failure of the life support device or system, or to affect its safety or effectiveness.

Mouser Electronics

Authorized Distributor

Click to View Pricing, Inventory, Delivery & Lifecycle Information:

[CUI Devices:](#)

[CBLT-UA-UC-1WT](#)