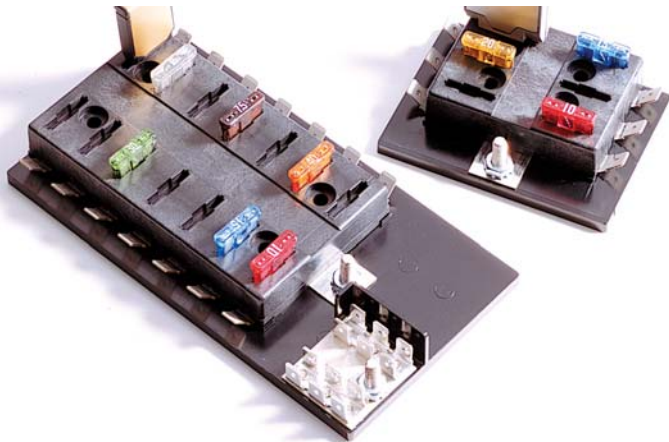


# Series 15600 ATC® Blade-Type Fuse Panels



The 15600 ATC® fuse panel is a compact, yet rugged, power distribution module. It is available in a single or dual internal buss electrical configuration featuring an optional ground pad terminal strip. The 15600 fuse panel is surface mounted, uses convenient quick-connect terminals, and is recommended as a supplemental power distribution module. It can be used to accompany main PDMs such as the Cooper Bussmann 31000/32000 Series VEC/DVEC, 15710 Series RTA, and the 1540X Series RFRM.

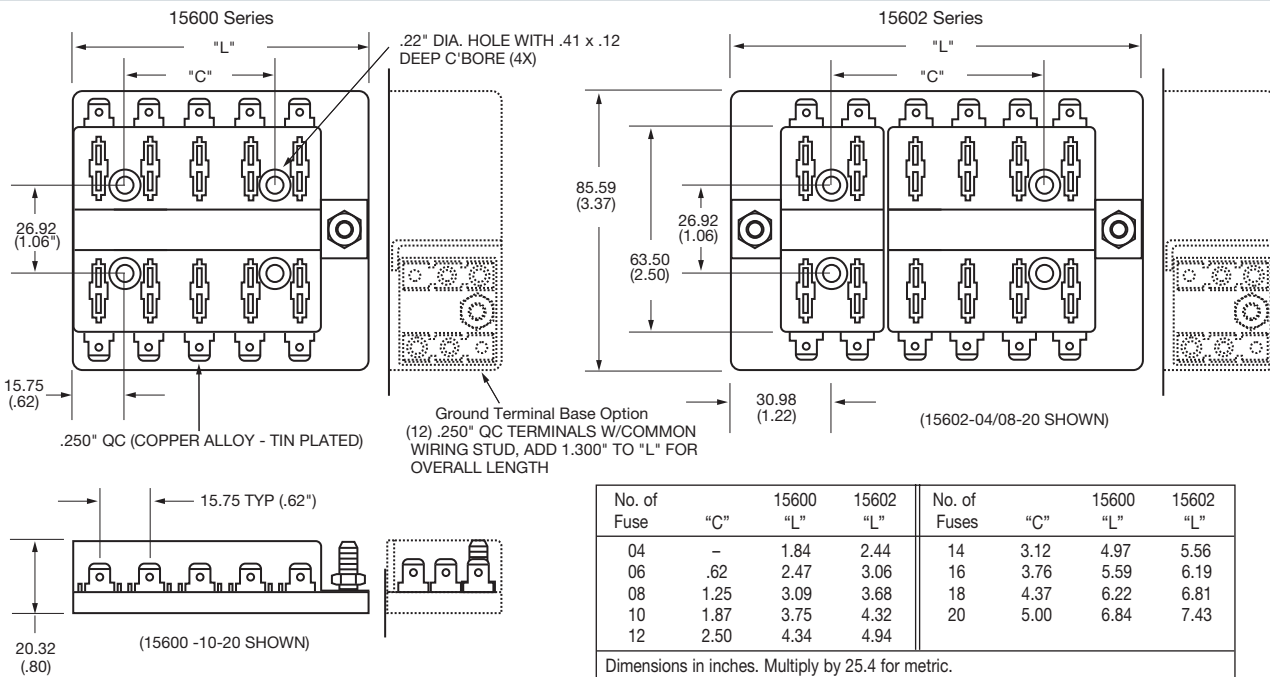
## Specifications

- Input Terminal Rating:** #10-32 Threaded studs (100A max).
- Output Terminal Rating:** 30A Max per circuit.
- Temperature Rating:** -20°F (0°C) to 150°F (65°C).
- Materials:** Black thermoplastic.
- Termination:** .250" x .032" quick-connect terminals. Ground terminal pad option available. Input wire size: #4-6 AWG. Output wire size: #12-16 AWG.
- Torque Rating:** 20 in-lbs (2.25N•m) max.
- Mounting Torque Rating:** 8 in-lbs (0.9N•m) max.

## Options

- Positions:** 4-20 circuits available.
- Split Power:** Single or dual buss options.

## Dimensions - mm(in)



## Part Numbering System

Series	No. of Fuses &/or Circuit Breaker Positions	Hardware Options	Ground Terminal Base
0 - Single Stud, Single Supply Circuit 1560 2 - Double Stud, Split Supply Circuits	04-20 Left Side Right Side 04-16 04-16 (max. combination of 20)	0 - W/O nuts 1 - Nuts shipped bulk 2 - Nuts assembled	0 - None 1 - Include Ground Pad

# Mouser Electronics

Authorized Distributor

Click to View Pricing, Inventory, Delivery & Lifecycle Information:

## Eaton:

[15600-12-20](#) [15600-12-21](#) [15600-10-21](#) [15600-10-20](#) [15600-06-21](#) [15600-06-20](#) [15600-08-21](#) [15600-08-20](#)  
[15600-20-21](#) [15600-20-20](#) [15600-04-20](#) [15600-04-21](#) [15600-06-10](#) [15600-08-10](#) [15600-10-10](#) [15600-14-20](#) [15600-](#)  
[14-21](#) [15600-16-20](#) [15600-16-21](#) [15600-18-10](#) [15600-18-20](#) [15600-18-21](#) [15602-04/16-20](#) [15600-06-11](#) [15602-](#)  
[04/06-20](#) [15600-10-00](#) [15602-08-12-10](#) [15600-14-11](#) [15602-08-08-21](#) [15600-04-00](#) [15600-14-01](#) [15602-04-04-20](#)  
[15600-20-11](#) [15600-12-10](#) [15602-04-10-20](#) [15602-06-06-01](#) [15600-16-11](#) [15600-16-00](#) [15602-06-06-20](#) [15600-12-](#)  
[11](#) [15602-10-06-20](#) [15600-14-10](#) [15602-06-06-21](#) [15602-04-04-11](#) [15602-06-06-11](#) [15600-20-01](#) [15602-04-08-20](#)  
[15600-06-01](#) [15600-12-00](#) [15600-18-00](#) [15600-16-01](#) [15602-04-06-00](#) [15602-06-14-10](#) [15600-04-10](#) [15600-08-00](#)  
[15600-04-01](#) [15602-04-04-21](#) [15602-08-12-00](#) [15600-14-00](#) [15600-12-01](#) [15600-16-10](#) [15602-04-12-20](#) [15600-18-](#)  
[11](#) [15602-02-04-00](#) [15602-10-10-20](#) [15602-06-08-10](#) [15600-20-10](#) [15600-08-01](#) [15600-20-00](#) [15600-10-01](#)