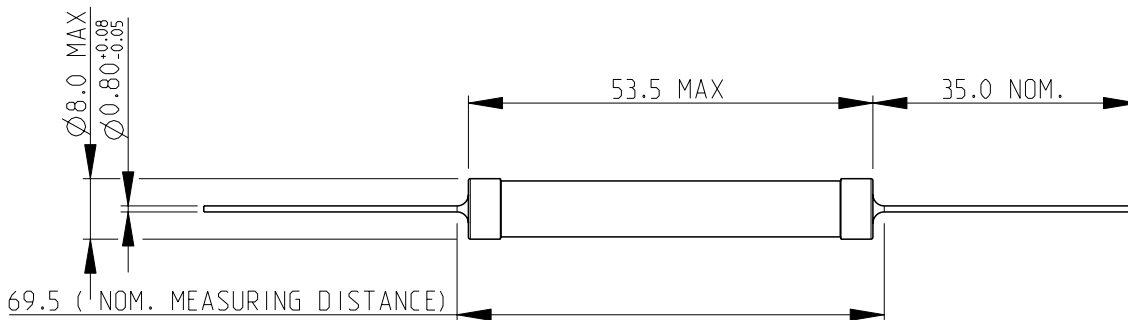


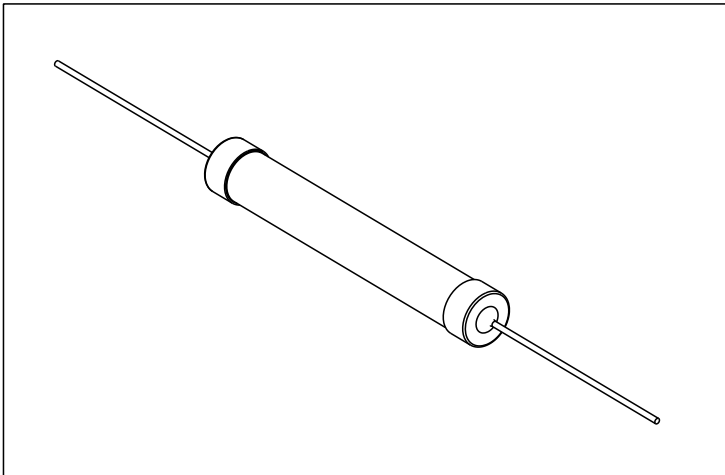
REVISIONS					
P	LTR	DESCRIPTION	DATE	DWN	APVD
	BA2	ECR-17-013465	13SEP2017	RK	TN

NOTES:

- FOR FURTHER INFORMATION SEE DATA SHEET FOR C SERIES-HIGH POWER RESISTORS.
- WEIGHT 0.600 Kg PER 100 PIECES.



RoHS Compliant



2008

RELEASED FOR PUBLICATION

ALL RIGHTS RESERVED.

THIS DRAWING IS UNPUBLISHED.

BY -

© COPYRIGHT 2008

DIMENSIONS:		DWN	16-Sep-08	MATERIAL	-	FINISH	-	
mm		CHK	16-Sep-08					
TOLERANCES UNLESS OTHERWISE SPECIFIED:		APVD	16-Sep-08					
0 PLC	±0.2	STEPHEN.P		NAME HIGH POWER RESISTORS				
1 PLC	±0.1	PRODUCT SPEC	-	SERIES C14				
2 PLC	±	APPLICATION SPEC	-	SIZE	CAGE CODE	DRAWING NO	RESTRICTED TO	
3 PLC	±	WEIGHT	-	A 4	00779	C=1623774	-	
4 PLC	±	CUSTOMER DRAWING					SCALE	1:1
ANGLES	±5°						SHEET	1 OF 1
							REV	BA2

Mouser Electronics

Authorized Distributor

Click to View Pricing, Inventory, Delivery & Lifecycle Information:

[TE Connectivity:](#)

[C141K0JL](#)