

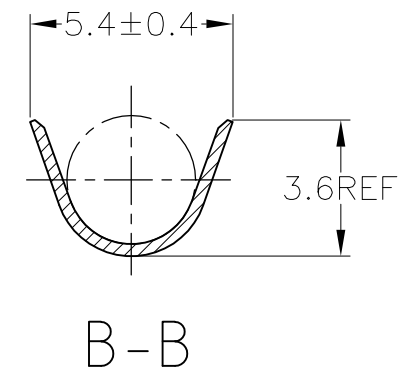
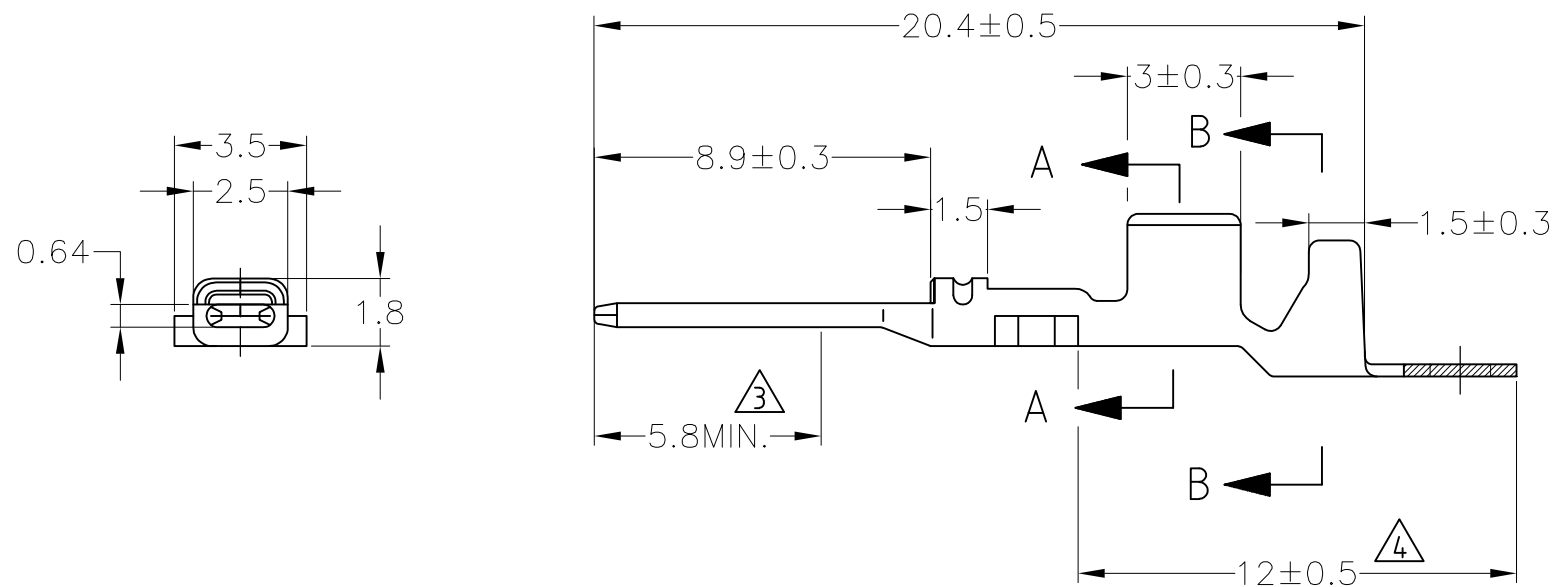
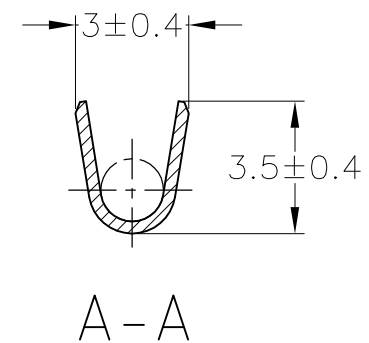
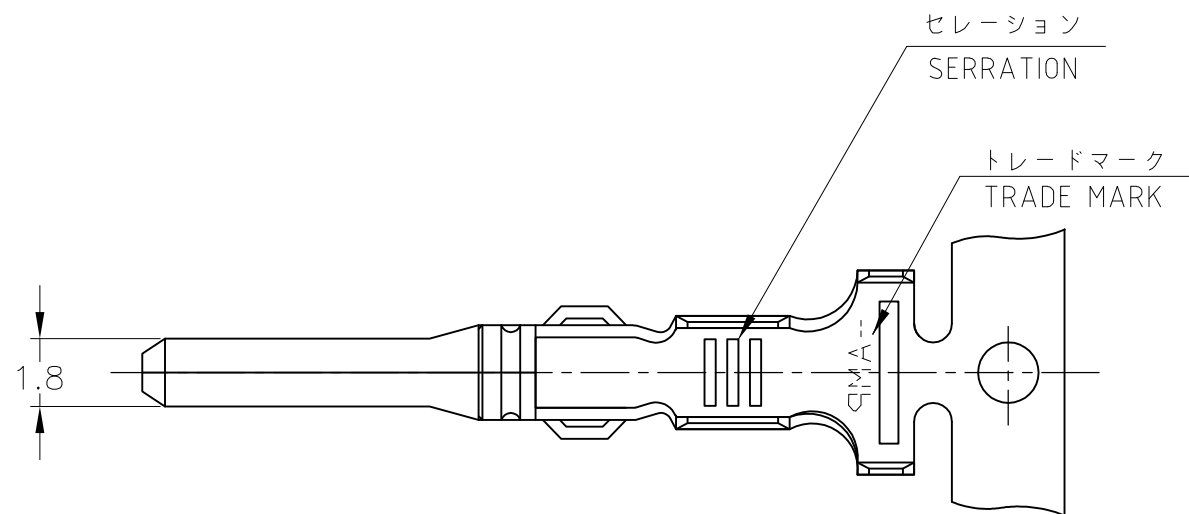
THIS DRAWING IS UNPUBLISHED.

RELEASED FOR PUBLICATION

ALL RIGHTS RESERVED.

© COPYRIGHT - By -

LOC	DIST	REVISIONS					
J	-	P	LTR	DESCRIPTION	DATE	DWN	APVD
		E2		REVISED PER ECO-11-005140	28MAR11	RK	HMR



- 1. 嵌合相手端子型番 : 171662
- 2. バラ状端子型番 : 173706

- 1. RECEPTACLE CONTACT PN: 171662
- 2. L/P CONTACT PN 173706

△3 SELECTIVE GOLD 部分金めっき	△4 SELECTIVE TIN 部分錫めっき	BRASS 黄銅 板厚 0.32	171661-5	3
△3 SELECTIVE GOLD 部分金めっき		BRASS 黄銅 板厚 0.32	171661-2	2
PRE-TIN (0.76μm MIN.) 錫めっき済		BRASS 黄銅 板厚 0.32	171661-1	1
FINISH 仕上		MATERIAL 材料	PN 型番	ITEM No. 項番

WIRE RANGE  
抱合電線断面積  
0.5-1.25mm<sup>2</sup> (AWG #20-#16)

INSULATION DIA  
被覆外径  
2-2.6

THIS DRAWING IS A CONTROLLED DOCUMENT.

DIMENSIONS: 単位: 耗 mm	TOLERANCES UNLESS OTHERWISE SPECIFIED: 一般公差
	0 PLC ± - 1 PLC ± - 2 PLC ± - 3 PLC ± - 4 PLC ± - ANGLES ± -
MATERIAL 材料	FINISH 仕上
SEE TABLE 表参照	SEE TABLE 表参照

一般公差 (GENERAL TOLERANCE)	
10以下	± 0.2
10を越え 30以下	± 0.25
30を越え 100以下	± 0.3
角 度	± 3°

DWN T.SHINOHARA 27JUN01	TE Connectivity ECONOSEAL J-MARKII CONNECTOR TAB CONTACT			RESTRICTED TO	
CHK K.BETSUI 27JUN01				NAME 名称	
APVD K.BETSUI 27JUN01				PRODUCT SPEC 製品規格	
APPLICATION SPEC 取付適用規格				SIZE	CAGE CODE
WEIGHT 0.35 g	A3	00779	G-171661		
CUSTOMER DRAWING		SCALE 尺度 5:1	SHEET 1 OF 1	REV E2	

# Mouser Electronics

Authorized Distributor

Click to View Pricing, Inventory, Delivery & Lifecycle Information:

[TE Connectivity:](#)

[171661-2](#)