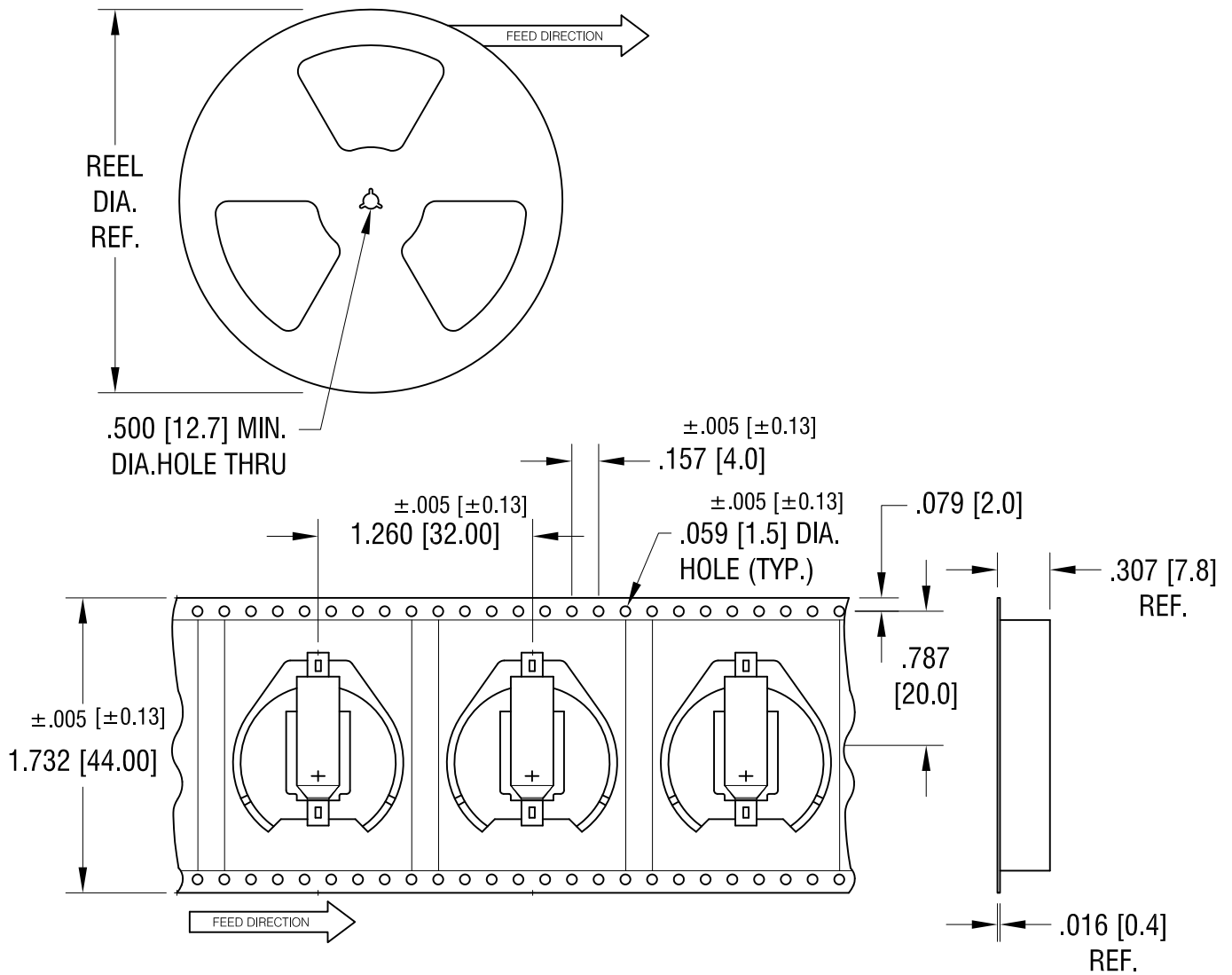


THIS DOCUMENT IS THE PROPERTY OF KEYSTONE ELECTRONICS CORP. AND SHALL NOT BE REPRODUCED, DISTRIBUTED OR USED AS A BASIS FOR MANUFACTURE WITHOUT PRIOR WRITTEN PERMISSION FROM KEYSTONE ELECTRONICS CORP.



NOTES:

TAPE AND REEL SPECIFICATIONS:

1. TAPE:

MAT'L - ALL CONDUCTIVE POLYSTYRENE CARRIER
 ANSI/EIA-481 STANDARD
 1.732 [44.0] WIDE; 1.260 [32.0] PITCH

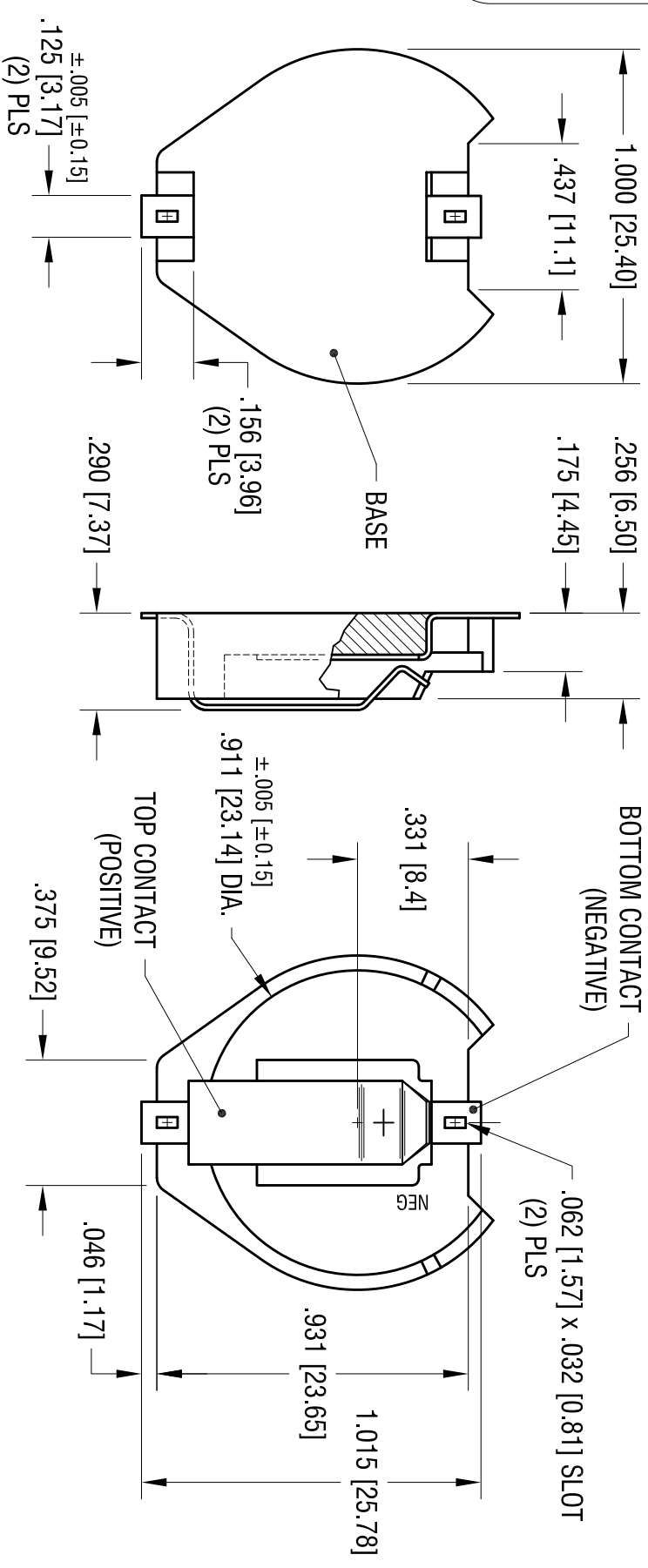
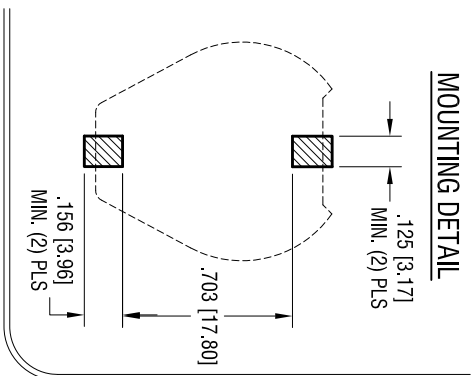
2. REEL:

13.0 [330.2] DIA. 200 PIECES OF
 PART NO. 1091 PER REEL.

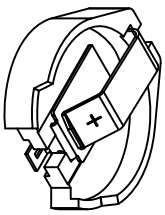
KEYSTONE ELECTRONICS CORP.			
www.keyelco.com • ASTORIA, N.Y. 11105-2017 • Tel (718) 956-8900			
PART NAME			
23mm SM COIN CELL HOLDER ON TAPE			
MATERIAL			
AS NOTED			
FINISH		DRN BY	DATE
AS NOTED		NT	3.19.09
		APP'D	SCALE
		LN	X
TOLERANCES	INCH [MM]	CODE	DWG NO.
DECIMAL	±.015 [±0.38]	C	1091TR
ANGULAR	± 1°		
UNLESS OTHERWISE SPECIFIED			

DATE	DESCRIPTION	REV.	
------	-------------	------	--

MOUNTING DETAIL



- NOTES:**
1. BASE:
MAT'L - HIGH TEMPERATURE NYLON (UL 94V-0)
 2. CONTACTS (TOP AND BOTTOM):
COLOR BLACK
MAT'L - .015 [0.38] THK SPRING STEEL
FINISH: GOLD FLASH PLATE



ACTUAL SIZE

DATE	DESCRIPTION	REV.
8.12.11	CHANGE AS PER ECN 11-104	A

KEYSTONE ELECTRONICS CORP.			
www.keystelco.com • ASTORIA, N.Y. 11105-2017 • Tel (718) 956-8900			
PART NAME			
DUAL 23mm BATTERY HOLDER, SMT			
MATERIAL			
AS NOTED			
FINISH			
AS NOTED			
TOLERANCES	INCH	[MM]	CODE
DECIMAL	± .010	[± 0.25]	C
ANGULAR	± 1°		
UNLESS OTHERWISE SPECIFIED			
DRN BY	NT	DATE	3.19.09
APP'D	LN	SCALE	2X
DWG NO.	1091		

THIS DOCUMENT IS THE PROPERTY OF KEYSTONE ELECTRONICS CORP. AND SHALL NOT BE REPRODUCED, DISTRIBUTED OR USED AS A BASIS FOR MANUFACTURE WITHOUT PRIOR WRITTEN PERMISSION FROM KEYSTONE ELECTRONICS CORP.

Mouser Electronics

Authorized Distributor

Click to View Pricing, Inventory, Delivery & Lifecycle Information:

[Keystone Electronics:](#)

[1091TR](#)