

Max. 390 m<sup>3</sup>/h  
**S-Force**

## DC centrifugal fans

Ø 120 x 54 mm



- **Material:** Impeller: GRP<sup>1)</sup>
- **Direction of air flow:** Axial: Intake,  
Centrifugal: Exhaust
- **Direction of rotation:** Clockwise,  
looking towards rotor
- **Connection:** via single wires AWG 18, 20 or  
AWG 22, TR 64. Speed signal  
and control input AWG 22
- **Highlights:** Highly efficient and smoothly  
operating 3-phase fan drive  
Backward-curved impeller
- **Weight:** 430 g

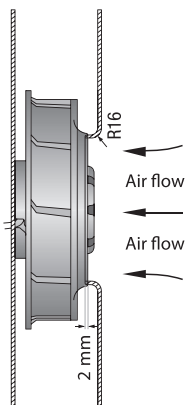
1) Fiberglass-reinforced plastic

Series RER 120 TD

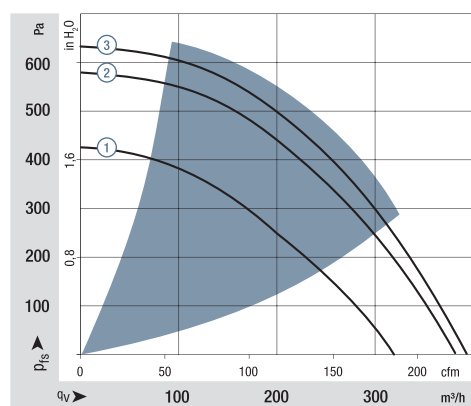
Nominal data	Air flow		Nominal voltage	Voltage range		Sound power level	Sinter sleeve bearings Ball bearings	Power consumption	Nominal speed	Temperature range	Service life L <sub>10</sub> (40 °C) ebm-papst standard	Service life L <sub>10</sub> (T <sub>max</sub> ) ebm-papst standard	Life expectancy L <sub>10</sub> IPC (40 °C) see page 17	Curve
	m <sup>3</sup> /h	cfm		VDC	VDC									
RER 120-26/14/2 TDMP*	320	188	24	16...32	tbd	■	51	5 200	-20...+60	60 000 / 37 500	102 500	①		
RER 120-26/14/2 TDP	377	222	24	16...32	8.2	■	78	6 100	-20...+60	55 000 / 35 000	92 500	②		
RER 120-26/18/2 TDMP*	320	188	48	36...60	tbd	■	51	5 200	-20...+60	57 500 / 35 000	97 500	①		
RER 120-26/18/2 TDP	390	230	48	36...60	8.3	■	92	6 300	-20...+60	50 000 / 30 000	85 000	③		

Subject to change  
\* On request

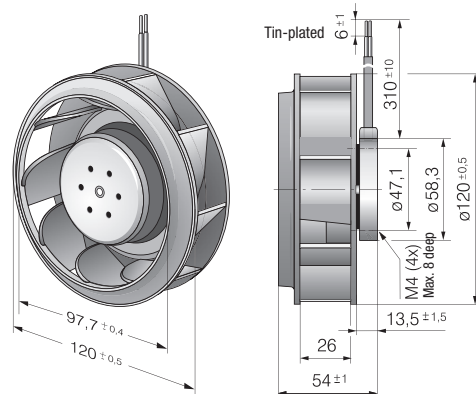
Speed control range from 800 rpm<sup>-1</sup> at 7% PWM up to nominal speed at > 90% PWM. Standstill at 0% PWM, maximum speed if control cable is interrupted.  
The specific service life is valid when an external capacitor is wired between the positive and negative wires. Please note the wiring suggestion.



The air flow and sound level of the centrifugal fans without external housing depend on their individual installation conditions.  
The stated air flow and sound level were recorded under the following measurement parameters:  
Centrifugal fan mounted on a foundation plate 140 x 140 mm.  
Cover plate 140 x 140 mm, with an air inlet opening Ø 94.4 mm, arranged concentrically to the impeller.



Air performance measured according to: ISO 5801.  
Installation category A, with ebm-papst inlet ring without contact protection.  
Noise: Total sound power level L<sub>WA</sub> ISO 103002 measured on a hemisphere with a distance of 2 m;  
Sound pressure level L<sub>PA</sub> measured at 1 m distance from fan axis.  
The values given are applicable only under the specified measuring conditions and may differ depending on the installation conditions.  
In the event of deviation from the standard configuration, the parameters must be checked after installation!  
For detailed information see <http://www.ebmpapst.com/general conditions>



# Mouser Electronics

Authorized Distributor

Click to View Pricing, Inventory, Delivery & Lifecycle Information:

[ebm-papst:](#)

[RER120-26/14/2TDP](#) [RER120-26/18/2TDP](#) [RER120-26/14/2TDMP](#) [RER120-26/18/2TDMP](#)