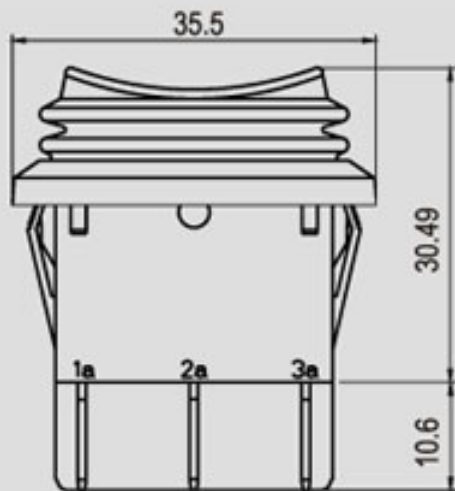


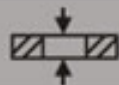
R13-285



Cut-out

X

Y



X

Y

0.75~1.25

30.2-0.1

22.2+0.1

1.25~2

30.4-0.1

22.2+0.1

2~4

30.8-0.1

22.2+0.1