



产品规格书

Specification of Product

产品名称: 6V 1.5kg 9g 直流减速舵机牙箱
Product Name: 6V 1.5kg.cm 9g DC Motor Gear Box

产品型号 Model No. FM90

1. 使用环境条件 Apply Environmental Condition

No.	Item	Specification
1-1	存储温度 Storage Temperature Range	-30°C~80°C
1-2	运行温度 Operating Temperature Range	-15°C~70°C

2. 测试环境 Standard Test Environment

No.	Item	Specification
2-1	温度 Temperature range	25°C ±5°C
2-2	湿度 Humidity range	65%±10%

3. 机械特性 Mechanical Specification

No.	Item	Specification
3-1	尺寸 Size	A: 23.2mm B: 12.5mm C: 22mm
3-2	重量 Weight	9g ±0.2
3-3	齿轮类型 Gear type	Plastic Gear(Nylon & POM)
3-6	机构极限角度 Limit angle	NO limit
3-7	轴承 Bearing	NO Ball bearings
3-8	出力轴 Horn gear spline	20T(4.8mm)
3-9	摆臂 Horn type	Plastic, POM
3-10	外壳 Case	Nylon & Fiberglass
3-11	舵机线 Connector wire	100mm ±5 mm
3-12	马达 Motor	Metal brush motor
3-13	防水性能 Splash water resistance	NO

4. 电气特性 Electrical Specification (Function of the Performance)

No.	工作电压 Operating Voltage Range	4.8V	6V
4-1*	静态电流 Idle current(at stopped)	5mA	6mA
4-2*	空载速度 No load speed	80RPM	100RPM
4-3*	空载电流 Running current(at no load)	110 mA	130 mA
4-4	堵转扭矩 Peak stall torque	1.3kg.cm	1.5kg.cm
		18.09oz.in	20.86oz.in
4-5	堵转电流 Stall current	700 mA	800mA

Note: "*"definition is average value when the servo runing with no load



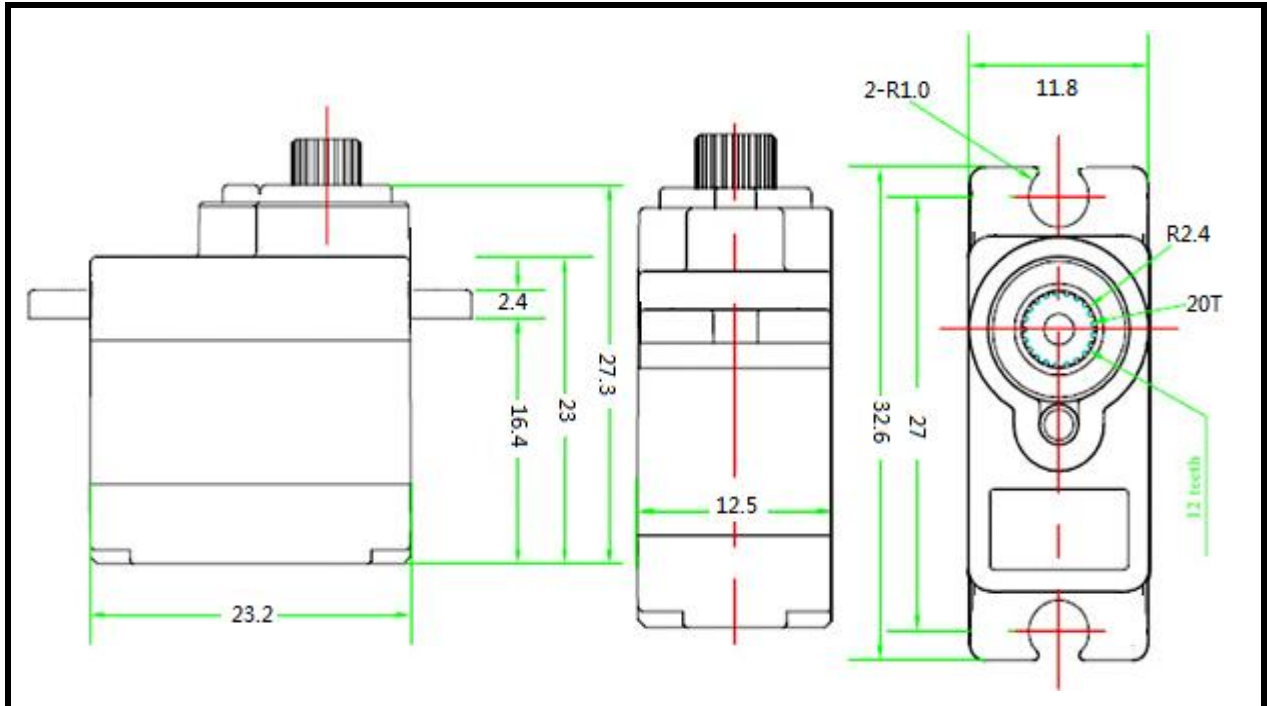
产品规格书

Specification of Product

产品名称: 6V 1.5kg 9g 直流减速舵机牙箱
Product Name: 6V 1.5kg.cm 9g DC Motor Gear Box

产品型号 Model No. FM90

5. 外形图 The Drawings



Mouser Electronics

Authorized Distributor

Click to View Pricing, Inventory, Delivery & Lifecycle Information:

[Adafruit:](#)

[2941](#)