

CONNECTOR DESIGNATORS A-D-F-H-L-S ROTATABLE COUPLING



TABLE II : STANDARD FINISHES

GLENAIR SYMBOL	FINISH
B	Cadmium Plate, Olive Drab
C	Anodize, Black
G	Hard Coat, Anodic
M	Electroless Nickel
NF	Cadmium Plate, Olive Drab Over Electroless Nickel

See Back Cover for Complete Finish Information and Additional Finish Options

-445

Now Available with the "NESTOR"

Add "-445" to Specify Glenair's Non-Detent, Spring-Loaded, Self-Locking Coupling.

TABLE III: DIMENSIONS

Shell Size Conn. Desig. A-F-L-S	H	G Max	F Max	E Max	H Max
08 09		.940 (23.9)	.890 (22.6)	.830 (21.1)	1.000 (25.4)
10 11		1.010 (25.7)	.920 (23.4)	.860 (21.8)	1.070 (27.2)
12 13		1.070 (27.2)	.942 (23.9)	.882 (22.4)	1.130 (28.7)
14 15		1.130 (28.7)	.970 (24.6)	.900 (22.9)	1.190 (30.2)
16 17		1.190 (30.2)	.990 (25.1)	.930 (23.6)	1.250 (31.8)
18 19		1.240 (31.5)	1.010 (25.7)	.950 (24.1)	1.300 (33.0)
20 21		1.310 (33.3)	1.040 (26.4)	.980 (24.9)	1.370 (34.8)
22 23		1.360 (34.5)	1.060 (26.9)	1.000 (25.4)	1.420 (36.1)
24 25		1.540 (39.1)	1.090 (27.7)	1.030 (26.2)	1.490 (37.8)

See inside back cover fold-out or pages 13 and 14 for unabridged Tables I and II.

Metric dimensions (mm) are indicated in parentheses.

320-002
Extender Backshell
 Standard Profile - Direct Coupling - Straight Only



**CONNECTOR
 DESIGNATORS**
A-B*-C-D-E-F
G-H-J-K-L-S

* Conn. Desig. B See Note 2

**DIRECT
 COUPLING**

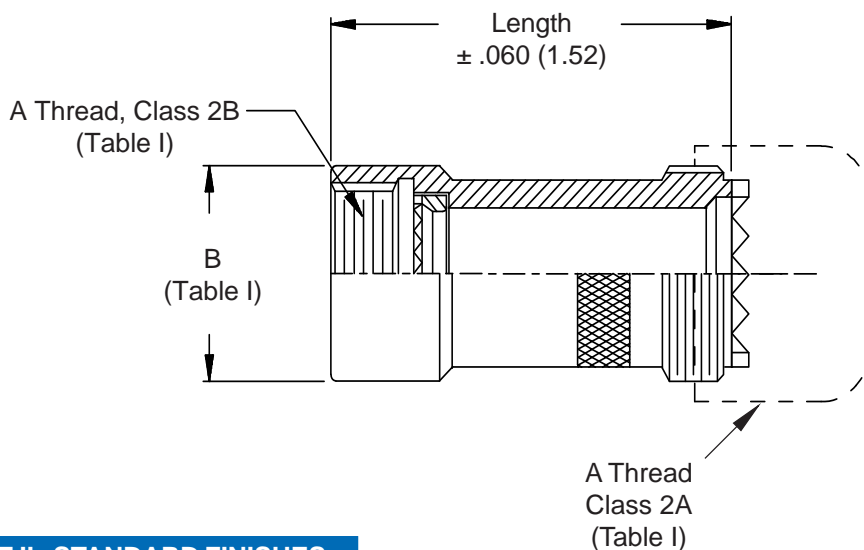


TABLE II : STANDARD FINISHES	
GLENAIR SYMBOL	FINISH
B	Cadmium Plate, Olive Drab
C	Anodize, Black
G	Hard Coat, Anodic
M	Electroless Nickel
NF	Cadmium Plate, Olive Drab Over Electroless Nickel

See Back Cover for Complete Finish Information and Additional Finish Options

See inside back cover fold-out or pages 13 and 14 for unabridged Tables I and II.

1. Metric dimensions (mm) are indicated in parentheses.
2. When using Connector Designator B refer to pages 18 and 19 for part number development.

Mouser Electronics

Authorized Distributor

Click to View Pricing, Inventory, Delivery & Lifecycle Information:

Glenair:

[320DS002B12-4](#) [320DS002B20-4](#) [320DS002B24-4](#) [320HS002M11-6](#) [320HS002M17-6](#) [320HS002M19-6](#)
[320FS001B18-3](#) [320AS001M10-3](#) [320AS001M20-2](#) [320AS001M24-6](#) [320AS001NF20-2](#) [320AS001NF28-2](#)
[320BS002B20-4A](#) [320DS002B24-6](#) [320FA001B10](#) [320FA001N14C](#) [320FS001B14-2](#) [320FS001M08-6](#)
[320FS001M10-6](#) [320FS001M12-3](#) [320FS001M12-6](#) [320FS001M14-6](#) [320FS001M16-6](#) [320FS001M18-6](#)
[320FS001M20-6](#) [320FS001M22-6](#) [320FS001M24-2](#) [320FS001M24-3](#) [320FS001M24-6](#) [320FS001NF20-6C](#)
[320HS001M09-6](#) [320HS001M11-6](#) [320HS001M13-6](#) [320HS001M15-6](#) [320HS001M176](#) [320HS001M19-6](#)
[320HS001M21-6](#) [320HS001M23-6](#) [320HS001M25-6](#) [320HS001NF13-4](#) [320HS001NF17-2](#) [320HS001NF21-2](#)
[320HS001NF23-12](#) [320HS001NF23-3](#) [320HS001NF25-3](#) [320HS002C25-7](#) [320DS002NF12-2](#) [320AS001B12-4](#)
[320AS001N24-7](#) [320FS001M18-2](#) [320FS001N14-4](#) [320FS001NF18-6C](#) [320HA001M17](#) [320HA001NF13-98](#)
[320HA001NF23](#) [320HJ001NF11-101A](#) [320HS001M13-2](#) [320HS001M15-8](#) [320HS001M21-2](#) [320HS001NF11-2](#)
[320HS001NF11-8](#) [320HS001NF15-4](#) [320HS001NF19-3](#) [320HS001NF23-9](#) [320AA001N18](#) [320AA001NF20](#)
[320AL001M08](#) [320AS001B08-2](#) [320AS001B18-3](#) [320AS001B22-3](#) [320AS001M08-3](#) [320AS001M08-4](#)
[320AS001M12-2](#) [320AS001M12-2C](#) [320AS001M14-2C](#) [320AS001M14-3](#) [320AS001M14-4](#) [320AS001M20-2C](#)
[320AS001M20-3](#) [320AS001M22-2C](#) [320AS001M22-4](#) [320AS001M24-2](#) [320AS001M24-3](#) [320AS001M28-2](#)
[320AS001N08-2](#) [320AS001N10-2](#) [320AS001N14-2](#) [320AS001N14-3](#) [320AS001N14-5](#) [320AS001N20-2](#)
[320AS001N20-3](#) [320AS001N20-4](#) [320AS001N24-2](#) [320AS001N28-7](#) [320AS001N32-7](#) [320AS001N40-3](#)
[320AS001NF10-2](#) [320AS001NF10-6C](#) [320AS001NF12-2](#) [320AS001NF12-6C](#)