

REFERENCE SPECIFICATIONS

-NFC 93425 (in compliance with HE 507)

PHYSICAL CHARACTERISTICS

- INSULATOR MATERIAL: THERMOPLASTIC UL94 V-0
- ACCESSORIES: STAINLESS STEEL or BRASS, cadmium plated yellow passivation
- SHELLS: STEEL, cadmium plated yellow passivation

ELECTRICAL CHARACTERISTICS

- CONTACT/CONTACT : >=1000 V
- CONTACT/GROUND : >=1200 V
- INSULATION RESISTANCE: >=5000 MOhms

ENVIRONMENTAL CHARACTERISTICS

- CLIMATIC CATEGORY: 55/125/56
- TEMPERATURE RANGE -55°C TO +125°C
- DAMP HEAT STEADY STATE 56 DAYS
- SALT SPRAY 48 HOURS

DBMF5W5SN

Series

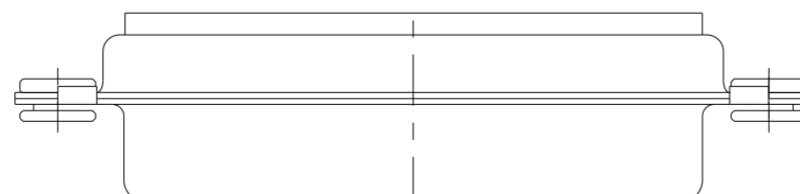
Shell size: **E A B C**
see sheet 2

Front accessory definition
see sheet 2

- Blank** :without accessory
- L** :threaded insert M3
- O** :threaded insert UNC 4-40
- V** :female screw UNC 4-40
- I** :female screw M3
- F** :floating mounting

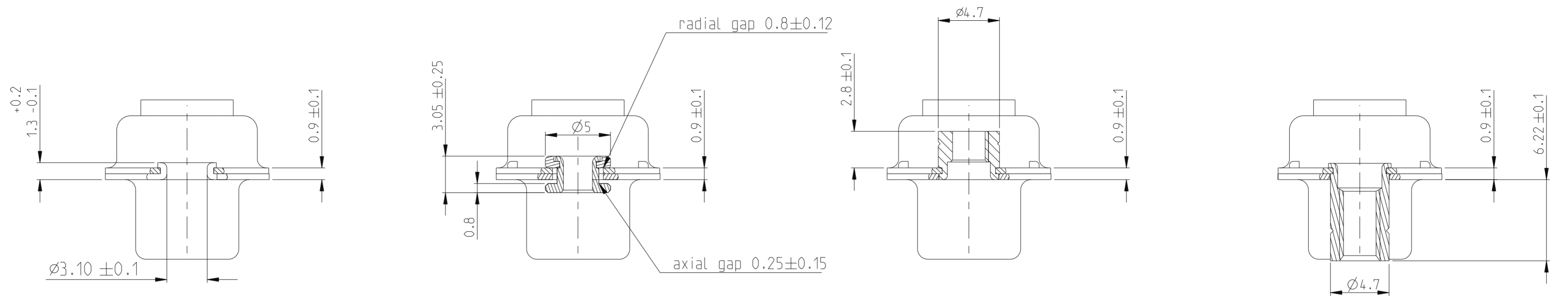
Contacts
Layout of contacts (see sheet 3)

- S** :Socket
- N** :mandatory indication for HE 507 series



| rev | ecn no | dr | date |
|-----|-----------|-----|------------|
| A | LS06-0174 | MPE | 2006/11/14 |
| B | LS07-0273 | MPE | 2007/10/30 |
| C | F10-0072 | LSA | 2010/07/20 |
| - | - | - | - |
| - | - | - | - |
| - | - | - | - |
| - | - | - | - |
| - | - | - | - |

| | | | | | | | |
|--------------------|----------------|---------------------------------------|----------------|--------------------------|----------|------------------------|-------|
| www.fciconnect.com | | surface ISO 1302 | - | tolerance std ISO 406 | ISO 1101 | projection ISO 1101 | mm |
| | | TOLERANCES UNLESS OTHERWISE SPECIFIED | | | | | |
| Dr | Pro Engineer 1 | 2015/06/14 | ANGULAR | 0.X | ±0.3 | size | Scale |
| Eng | Marty Glass | 2015/06/16 | LINEAR | 0.XX | ±0.1 | A2 | 2:1 |
| Chr | - | - | 0° ±2° | 0.XXX | ±0.05 | ECN | - |
| Appr | - | - | Product family | - | Spec ref | Released | - |
| FCJ | | title | | SUB FEMALE DMW | | dwg no | Rev. |
| | | full power without contact | | C01-8637-1731C | | C | |
| catalog no | | -Product - Customer Drw | | sheet 1 of 4 | | | |



| | | | | |
|-----------------|----------------------|----------------------------|--|--|
| FRONT ACCESSORY | Blank without | F Floating mounting | L insert M3 O insert UNC 4.40 | V Female screw UNC 4.40 I Female screw M3 |
|-----------------|----------------------|----------------------------|--|--|

| PART NUMBER | FRONT ACCESSORY |
|-------------|-----------------------|
| D*M*W*SN | without |
| D*ML*W*SN | insert M3 |
| D*MO*W*SN | insert UNC 4-40 |
| D*MV*W*SN | female screw UNC 4-40 |
| D*MI*W*SN | female screw M3 |
| D*MF*W*SN | floating mounting |

| | |
|------------|---------|
| shell size | LAYOUTS |
| * | xW x |
| E | 2V2 |
| A | 3V3 |
| A | 3W3 |
| B | 5W5 |
| C | 8W8 |

SCALE: 4

| | | | | | | | |
|--------------------|----------------|---------------------------------------|----------------|--------------------------|----------|--------------|----------------|
| www.fciconnect.com | | surface ISO 1302 | - | tolerance std ISO 406 | ISO 1101 | projection | mm |
| | | TOLERANCES UNLESS OTHERWISE SPECIFIED | | | | | |
| Dr | Pro Engineer 1 | 2015/06/14 | ANGULAR | 0.X | ±0.3 | size | Scale |
| Eng | Marty Glass | 2015/06/16 | LINEAR | 0.XX | ±0.1 | A2 | 4:1 |
| Chr | - | - | 0° ±2° | 0.XXX | ±0.05 | ECN | - |
| Appr | - | - | Product family | - | Spec ref | Released | |
| FCJ | | title | | SUB FEMALE DMW | | dwg no | C01-8637-1731C |
| | | full power without contact | | | | Rev. | C |
| | | catalog no | | -Product - Customer Drw | | sheet 2 of 4 | |

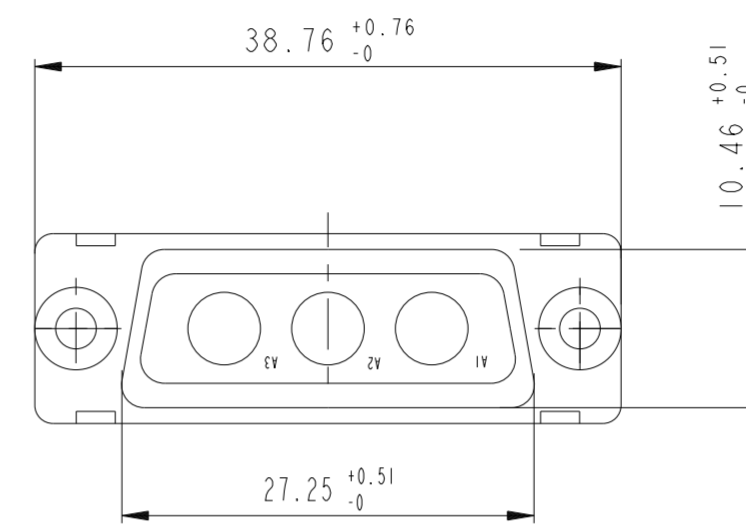
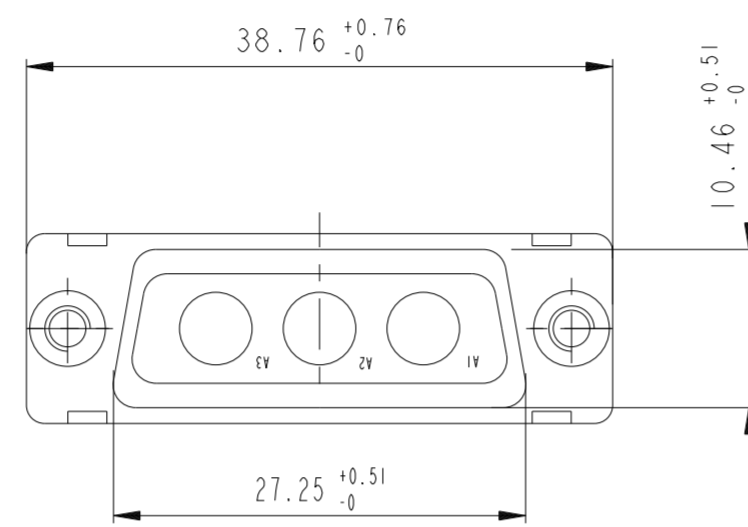
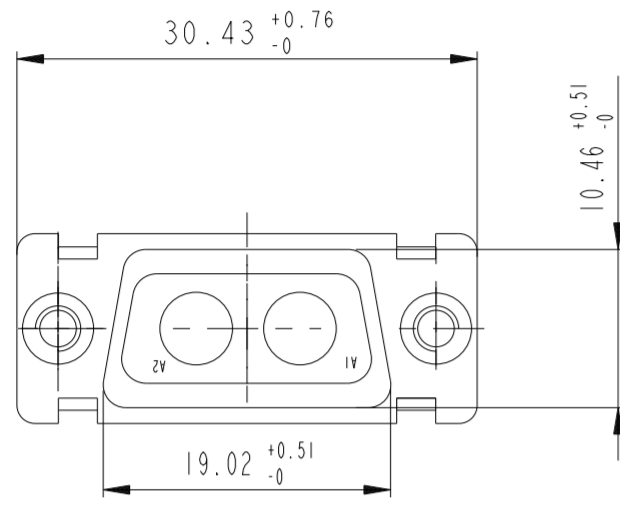


Copyright FCJ.

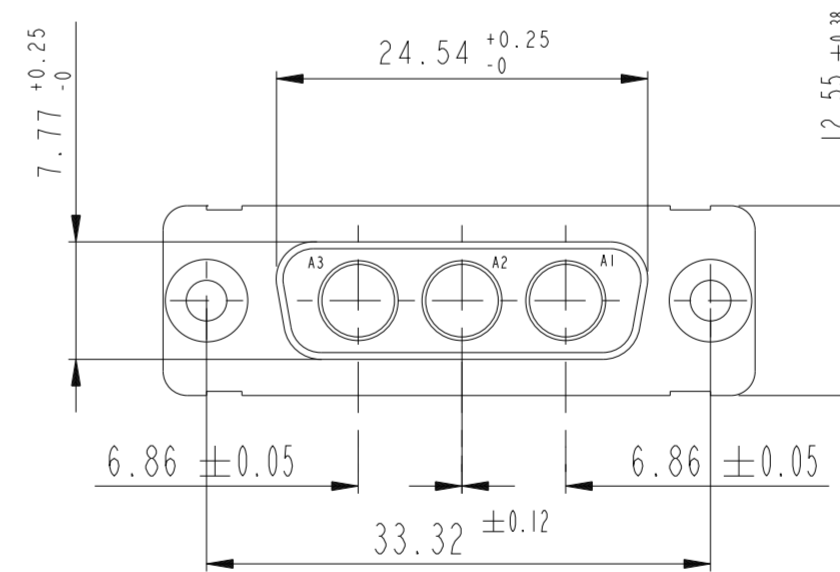
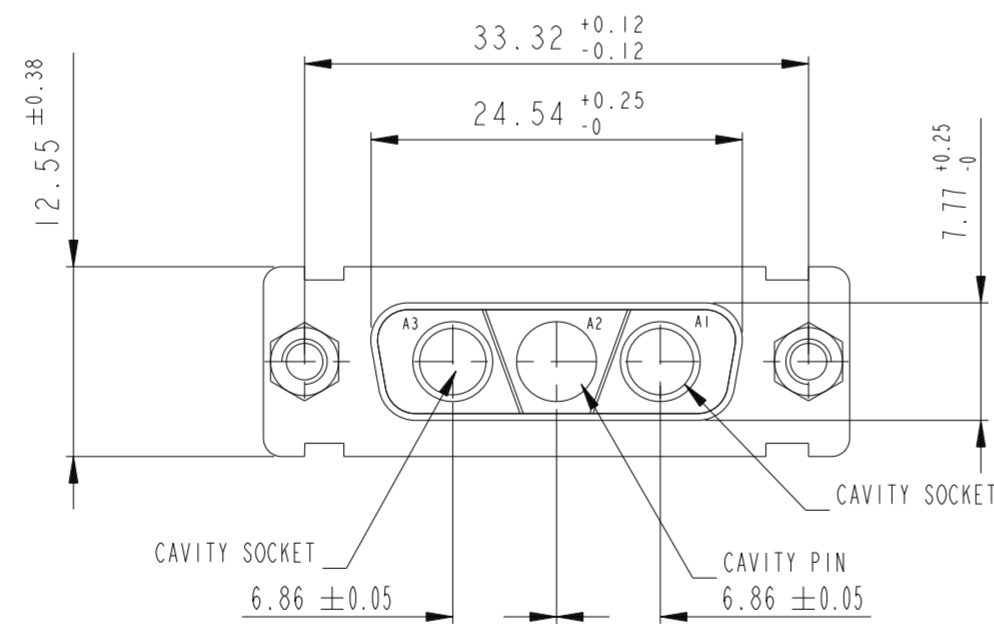
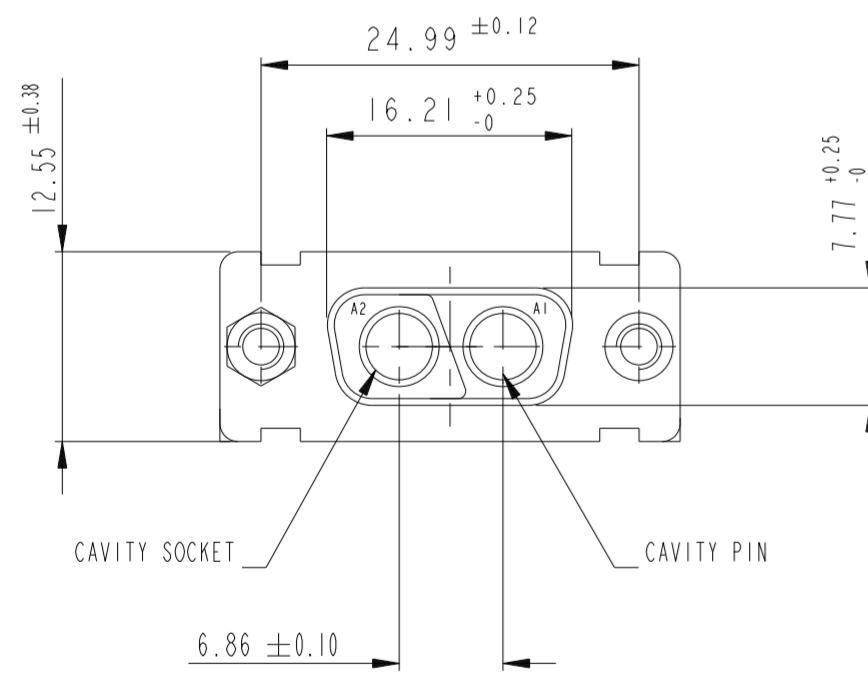
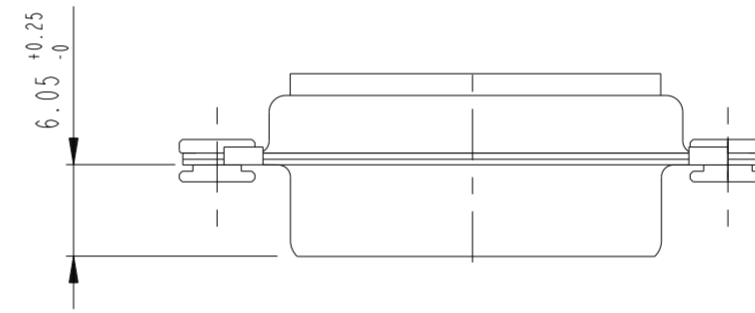
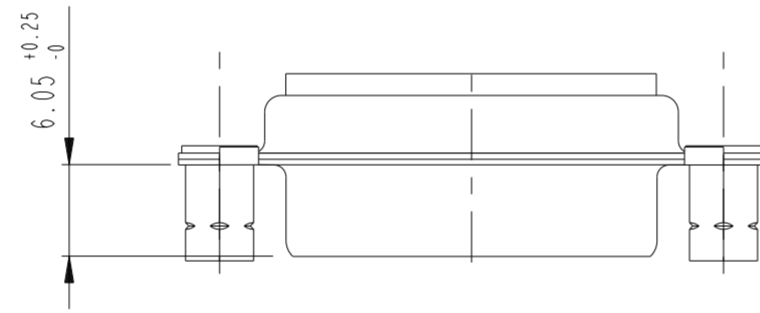
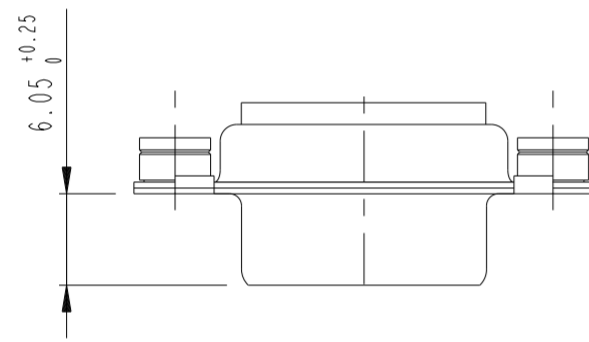
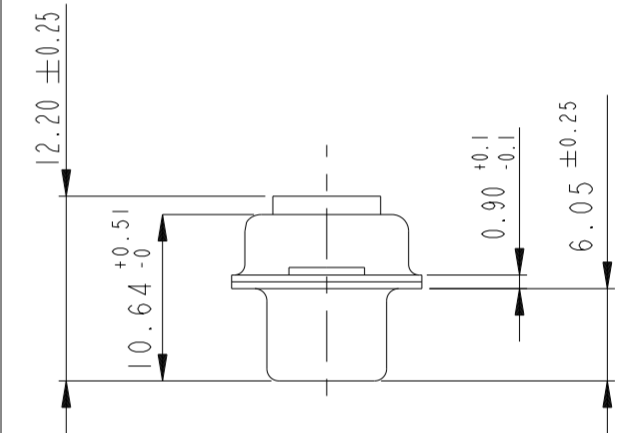
2V2

3V3

3W3



SIDE VIEW FOR LAYOUTS: E A B C

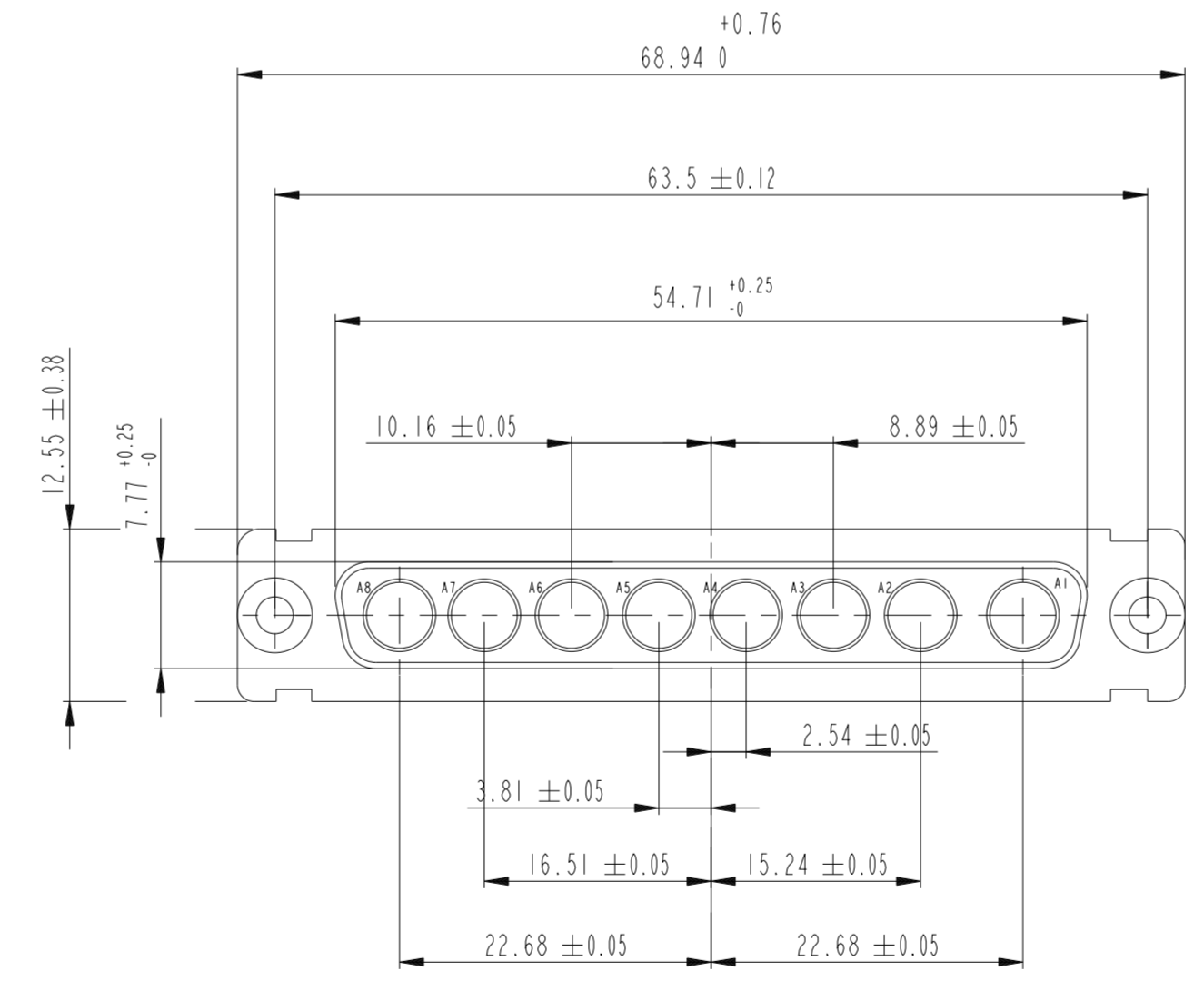
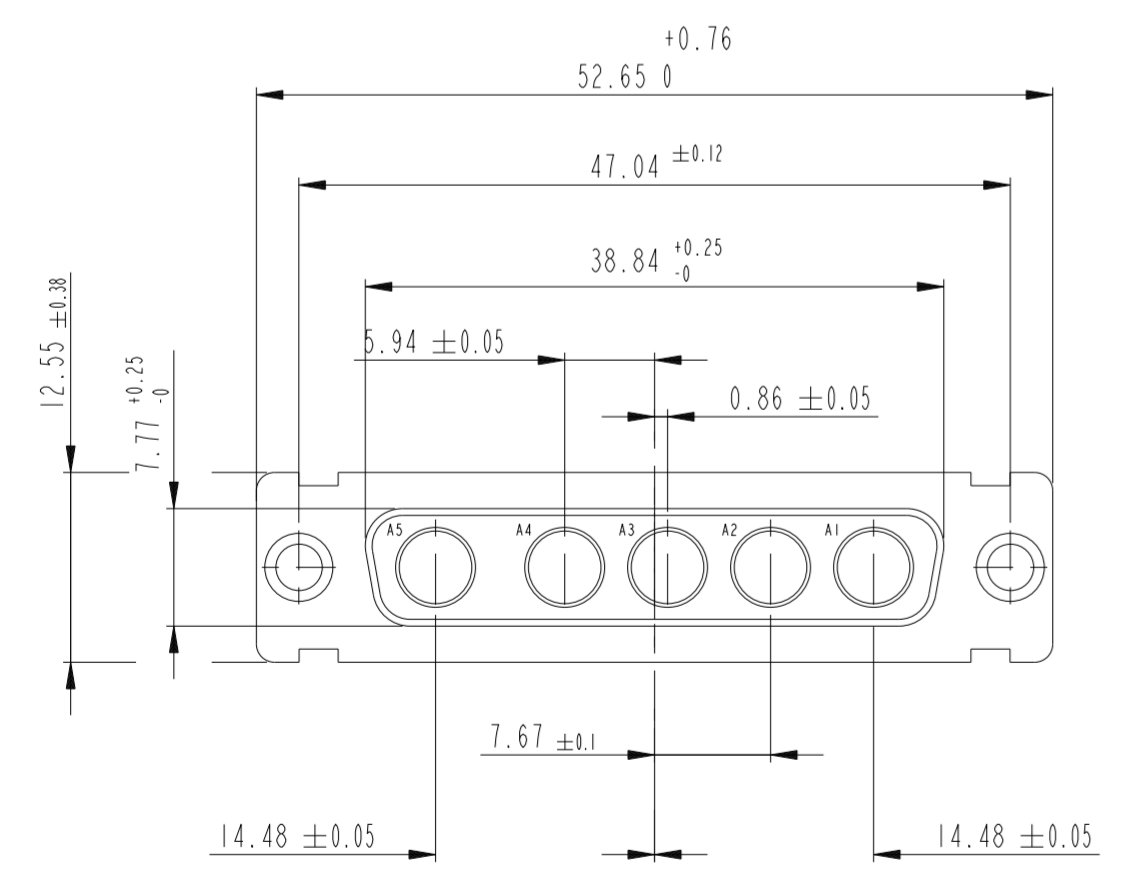
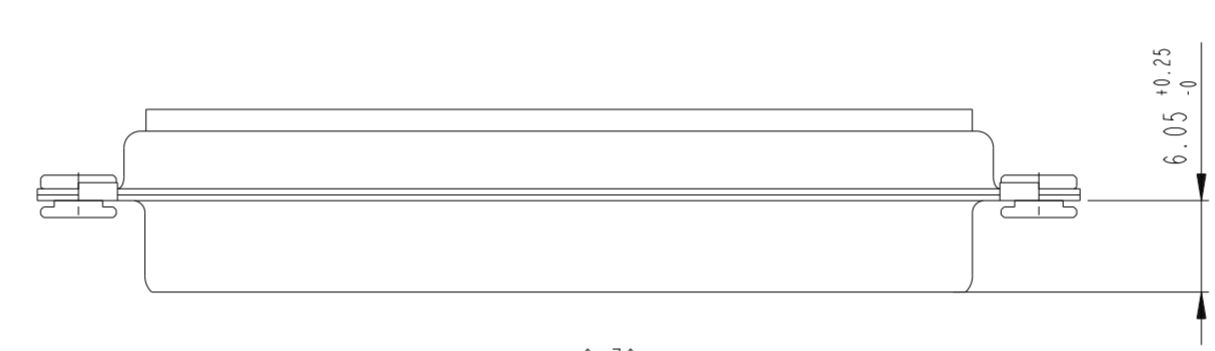
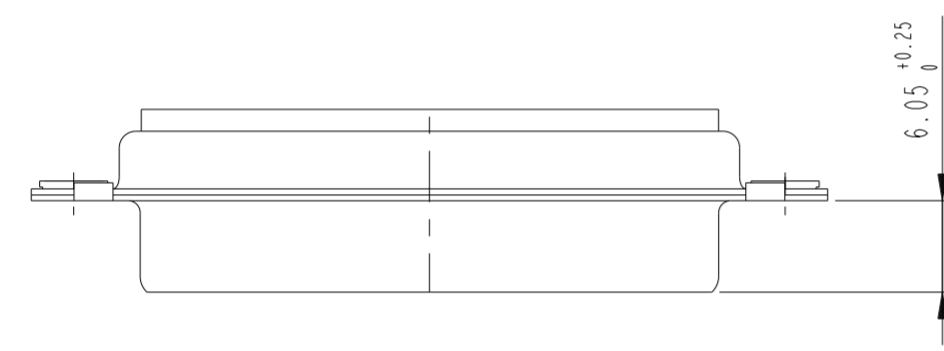
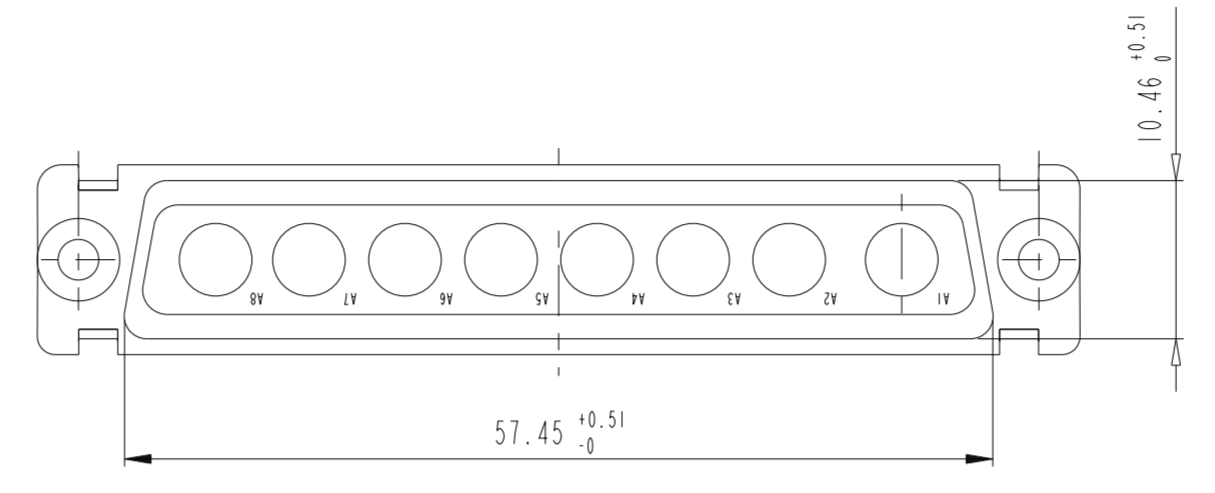
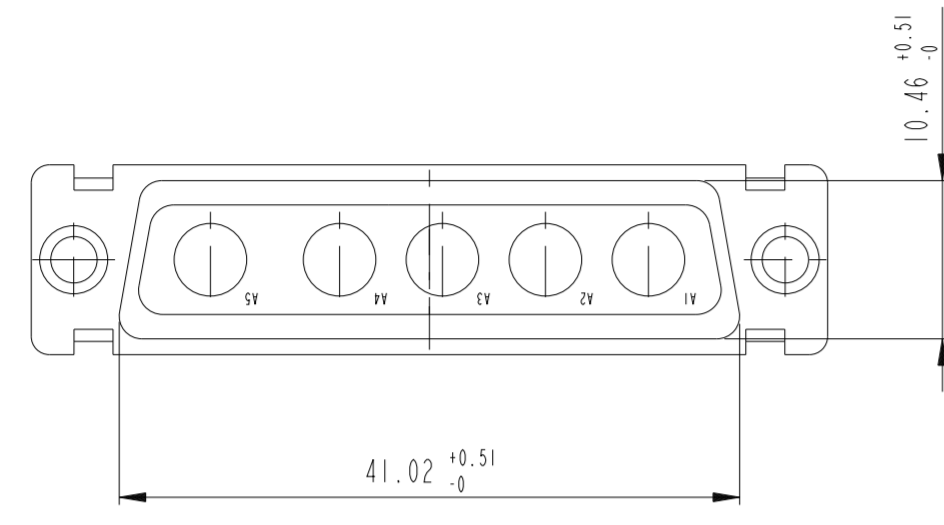


Copyright FCI. FCJ

| | | | | | | | | |
|--------------------|----------------|---------------------------------------|----------------|---------------|--------------------------|----------|--------------|----------------|
| www.fciconnect.com | | surface | ISO 1302 | tolerance std | ISO 406 | ISO 1101 | projection | mm |
| | | TOLERANCES UNLESS OTHERWISE SPECIFIED | | | | | | |
| Dr | Pro Engineer 1 | 2015/06/14 | ANGULAR | 0.X | ±0.3 | size | A2 | Scale |
| Eng | Marty Glass | 2015/06/16 | LINEAR | 0.XX | ±0.1 | | | 2:1 |
| Chr | - | - | 0° ±2° | 0.XXX | ±0.05 | ECN | - | |
| Appr | - | - | Product family | | | Spec ref | Released | |
| | | title | | | SUB FEMALE DMW | | dwg no | C01-8637-1731C |
| | | full power without contact | | | | | Rev. | C |
| | | catalog no | | | - Product - Customer Drw | | sheet 3 of 4 | |

5W5

8W8



Copyright FCJ

| | | | | | |
|----------------------|------------|---|-----------------------------------|--------------------------------------|--------------|
| www.fciconnect.com | | surface ISO 1302 | tolerance std ISO 406 ISO 1101 | projection ISO 1101 | mm |
| | | TOLERANCES UNLESS OTHERWISE SPECIFIED | | | |
| Dr Pro Engineer 1 | 2015/06/14 | ANGULAR | 0.X ±0.3 | size A2 | Scale 2:1 |
| Eng Marty Glass | 2015/06/16 | LINEAR | 0.XX ±0.1 | | |
| Chr | | 0° ±2° | 0.XXX ±0.05 | ECN | |
| Appr | | Product family | | Spec ref | Released |
| FCJ | | Title SUB FEMALE DMW full power without contact | | Dwg no C01-8637-1731C | Rev. C |
| | | catalog no | | Product - Customer Draw sheet 4 of 4 | |

Mouser Electronics

Authorized Distributor

Click to View Pricing, Inventory, Delivery & Lifecycle Information:

[FCI / Amphenol:](#)

[DAML3W3SN](#) [DBM17W2SN](#) [DBM5W5SN](#) [DDM36W4SN](#) [DDMF24W7SN](#) [DAM3V3SN](#) [DAM3W3SN](#) [DAMF3W3SN](#)
[DCM8W8SN](#) [DBML5W5SN](#) [DCM27W2SN](#)