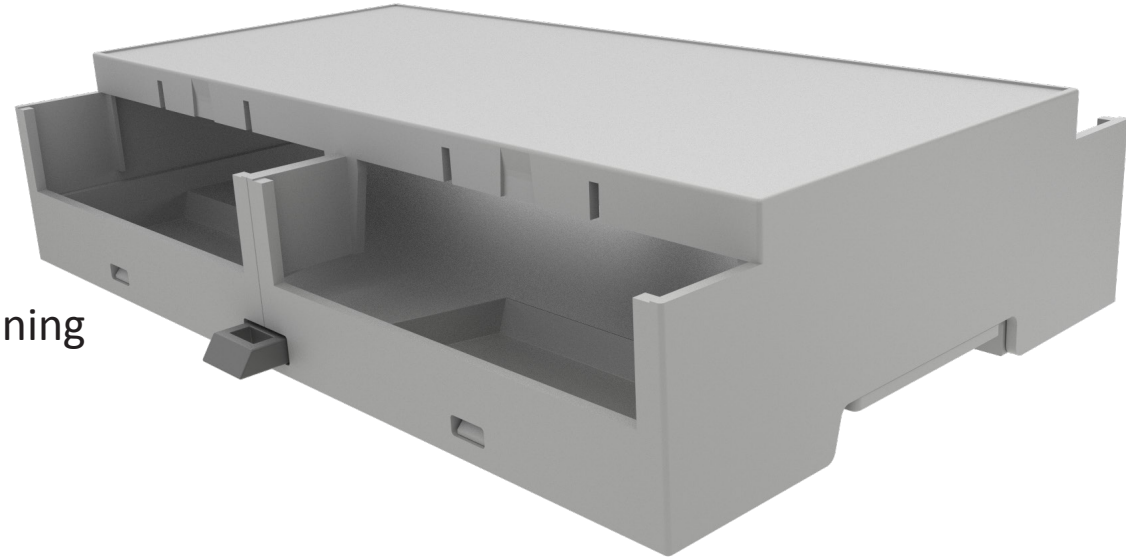


- DIN Rail mounting enclosure to suit varying electronic and electrical applications
- Terminal blocks/connectors can be mounted on either side of the enclosure
- Top panel is produced as part of the mould (non-removeable)
- Customisation options are available including machining and/or printing to customer specific requirements
- Kit supplied includes, base, cover and DIN rail hook



Hitaltech SA/NV

(Sales Benelux, France & Italy)

T: +32 2725 2075

E: europe-sales@hitaltech.com

Hitaltech UK Ltd

(Sales UK & Eire)

T: +44 (0) 1253 899910

E: uksales@hitaltech.co.uk

Hitaltech GmbH

(Sales Germany)

T: +49 (0) 351 65 57 39 10

E: de-verkauf@hitaltech.com

Hitaltech Corp. Japan

(Sales Asia)

T: +81 (0)467 23 81 00

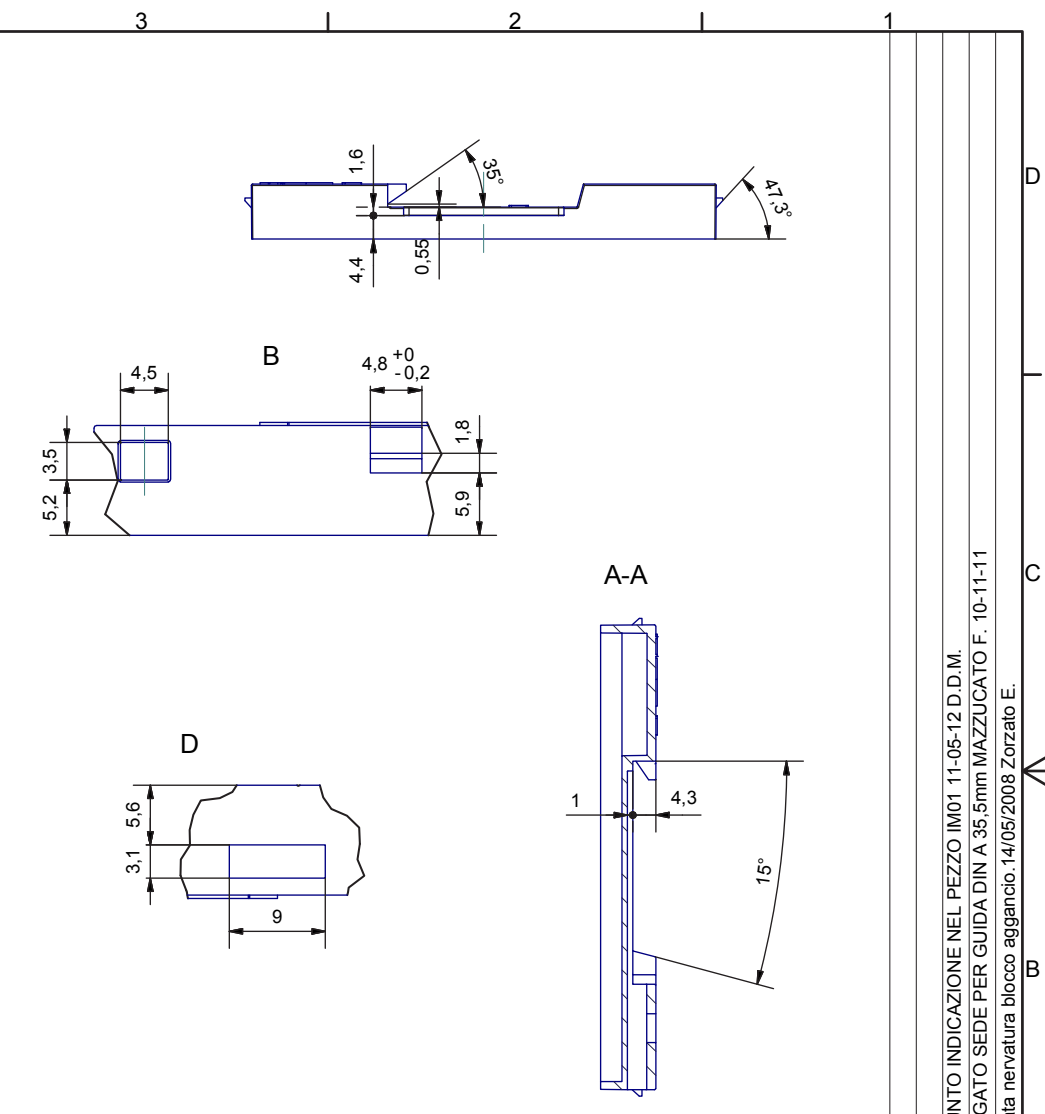
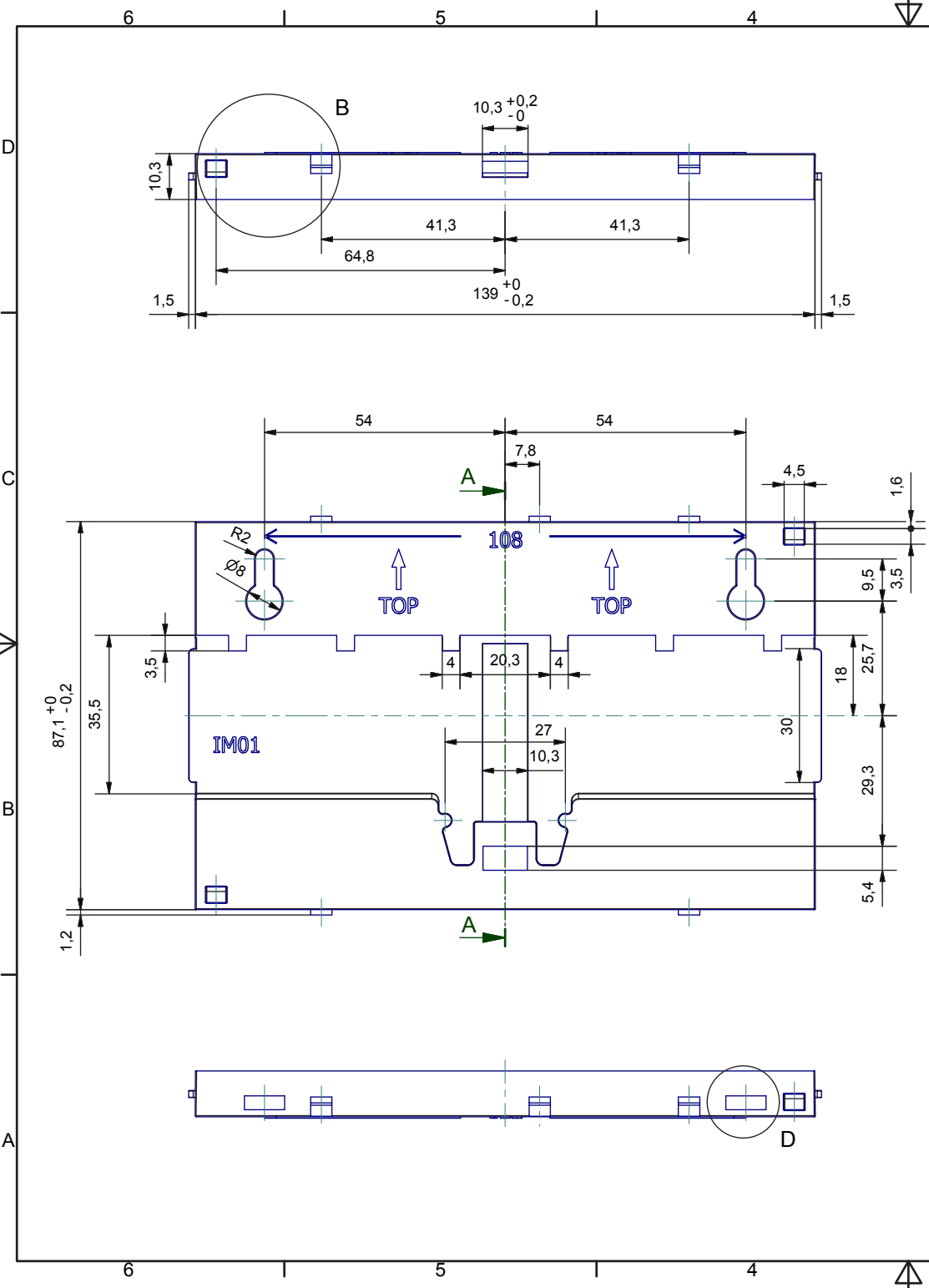
E: japan-sales@hitaltech.com

Hitaltech Headquarters

(Sales for the Rest of the World)

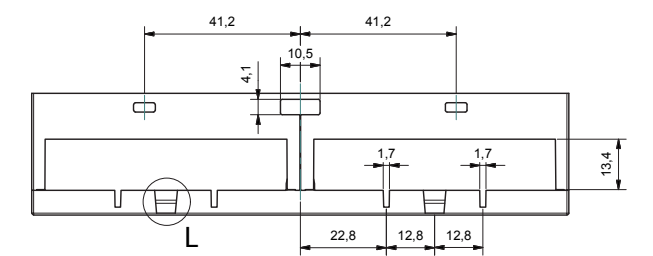
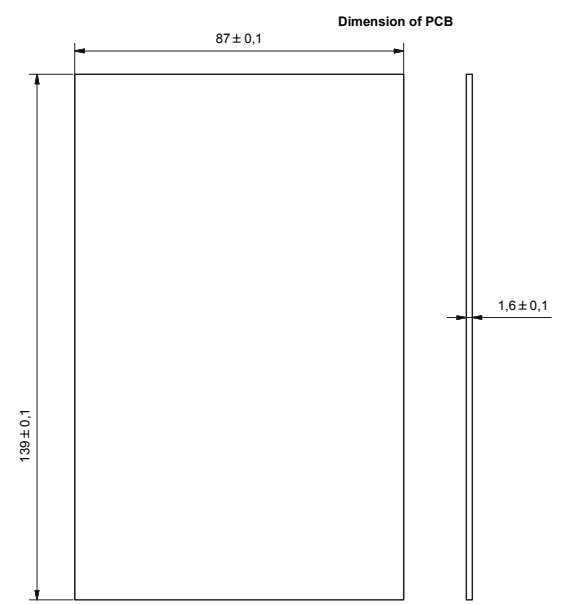
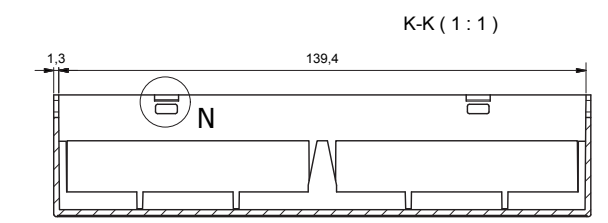
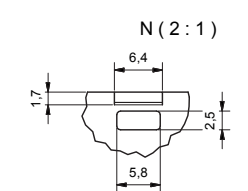
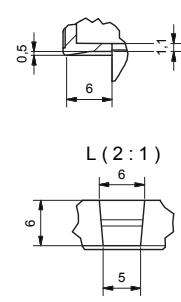
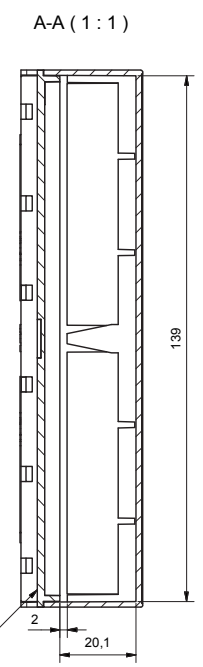
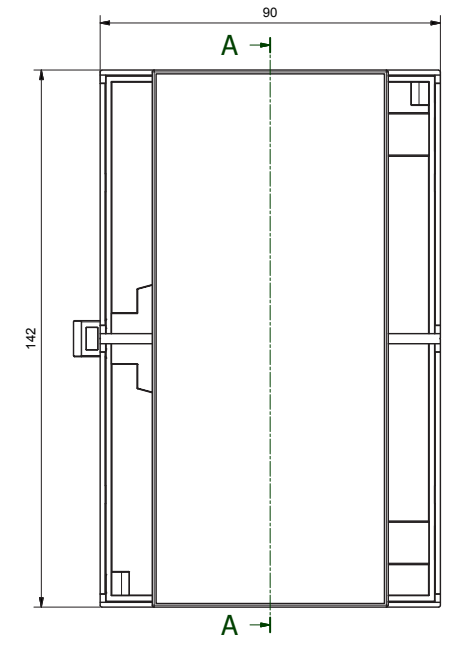
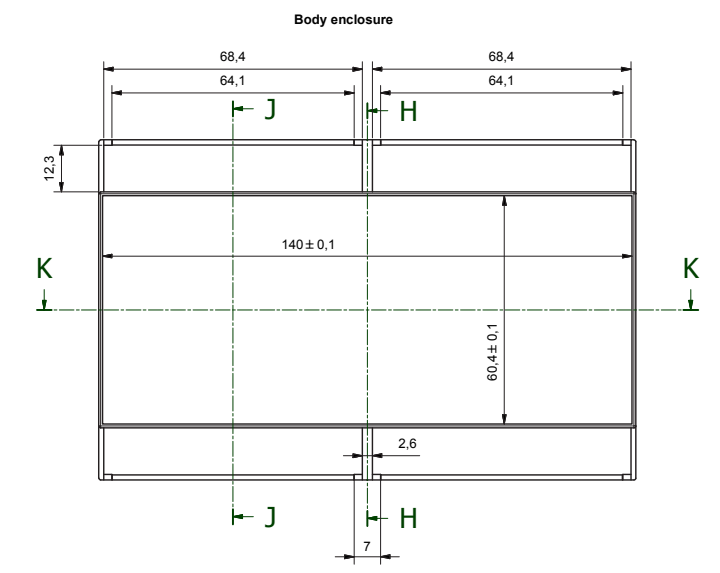
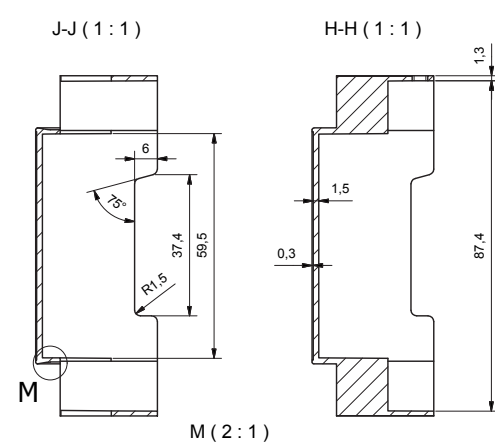
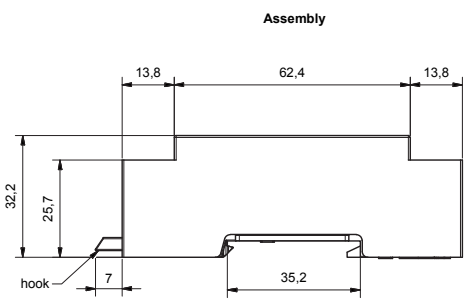
T: +32 2725 2075

E: europe-sales@hitaltech.com



RESERVED PROPERTY The present drawing cannot be reproduced or communicated to 3d parties, even partially, without the authorization of ITALTRONIC Srl. Italtronic reserves to protect its own rights according to the law.	 Dimension in mm	SHEET NR.	DRAWING BY	GENERAL TOLERANCE	5 4 3 2 1 Revision description
		1 / 1	 Manual modification are not allowed	± 0.2 mm	
Date: 02/08/2007	Drawn: Zorzato E.	Checked: Mazzucato F.	Replace nr.	Scale:	Denomination:
 A group of connecting technologies			Base 8M-XT 8M-XT Base		Drawing nr.
			 enclosures for electronics		M-01988-03

AGGIUNTO INDICAZIONE NEL PEZZO IM01 11-05-12 D.D.M.
 ALLARGATO SEDE PER GUIDA DIN A 35,5mm MAZZUCATO F. 10-11-11
 Eliminata nervatura blocco aggancio. 14/05/2008 Zorzato E.



Da 0,5 a 3	Oltre 3 fino a 6	Oltre 6 fino a 30	Oltre 30 fino a 120	Oltre 120
± 0,1	± 0,1	± 0,2	± 0,3	± 0,5

RESERVED PROPERTY
The present drawing cannot be reproduced or communicated to 3rd parties, even partially, without the authorization of ITALTRONIC Srl. Italtronic reserves to protect its own rights according to the law.

GENERAL TOLERANCE
UNI EN 22768/1
Media (m)

5 4 3 2 1

Date: 19/05/2014 Replace nr. Revision description

Drawn: Rigato N. Checked: Dalla Montà D. Scale:

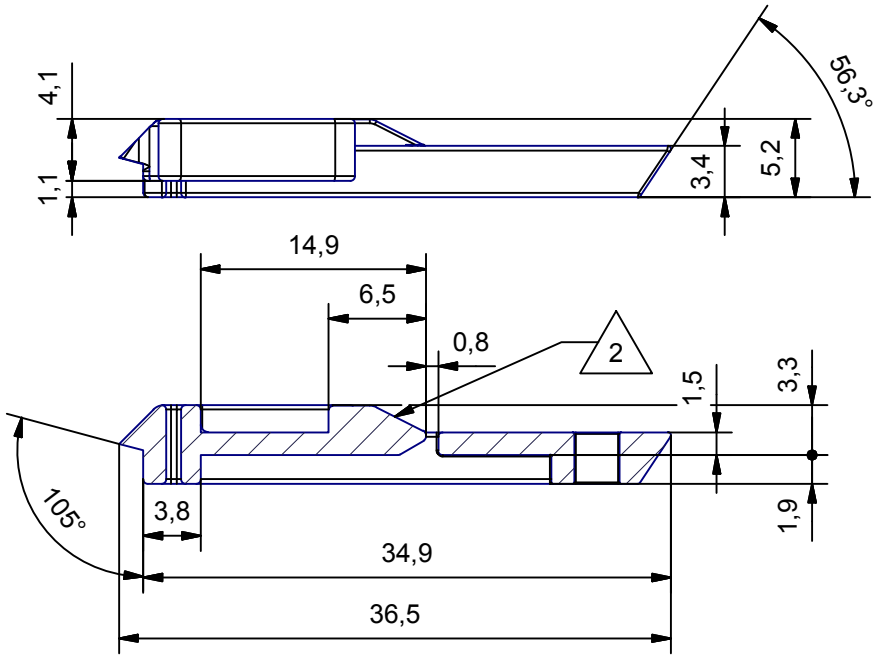
Hitalltech
A group of connecting technologies

Denomination:
Contentitore Modulbox XTS 8MHC33-A chiuso compact
Enclosure Modulbox XTS 8MHC33-A closed compact

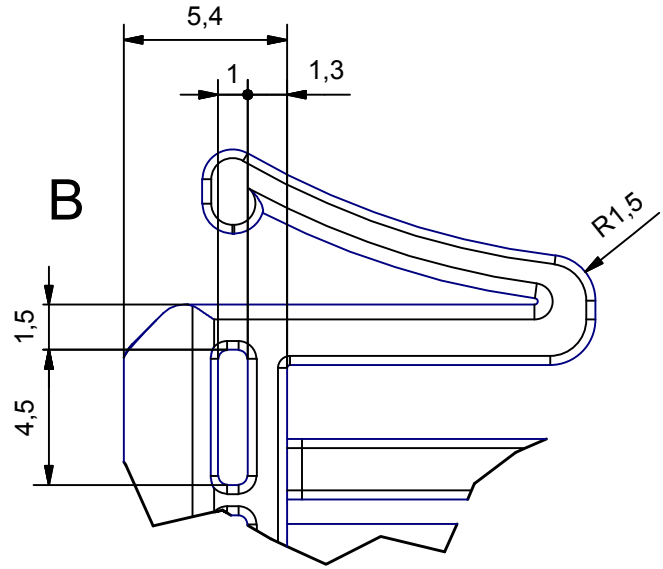
italtronic
enclosures for electronics

Drawing nr.
M-05181-00

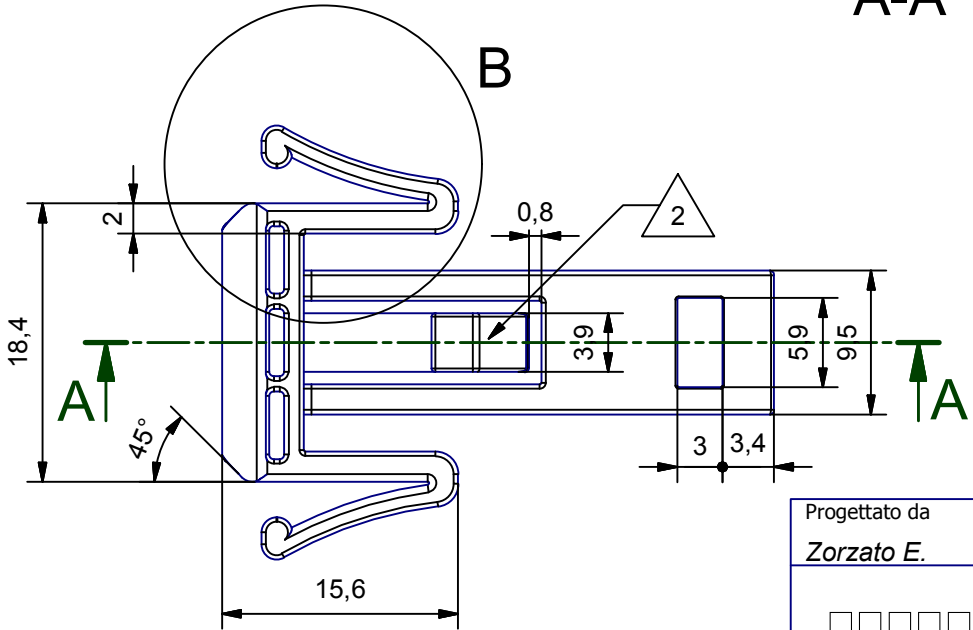
REVISIONE			
Rev. n°	Descrizione	Data	Eseguita da
1	Modificato parti gancio.Changed parts hook.	17/07/13	Rigato N.
2	Modificato parti gancio.Changed parts hook.	31/01/14	Rigato N.



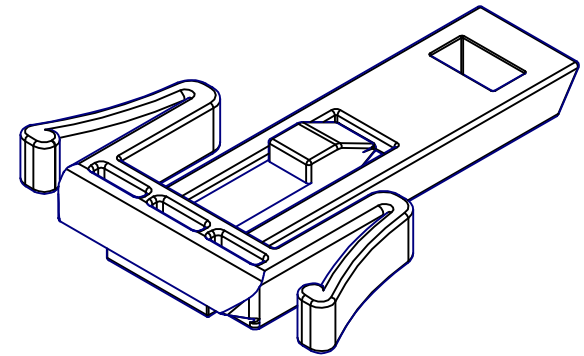
A-A


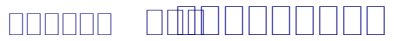


B



Tolleranze generali: ± 0.2 mm



Progettato da Zorzato E.	Verificato da Mazzucato F.	Data 12/03/2007	Sostituisce il
		Nuovo aggancio lungo MODULBOX	
		M-01900-02	Edizione 00
			Foglio 1 / 1