

规格书编号

SPEC NO :

产品规格书

SPECIFICATION

CUSTOMER 客户: _____
PRODUCT 产品: _____ SAW FILTER _____
MODEL NO 型号: _____ HDF480-1 T039 _____
PREPARED 编制: _____ CHECKED 审核: _____
APPROVED 批准: _____ DATE 日期: _____ 2006-5-11 _____

客户确认 CUSTOMER RECEIVED:		
审核 CHECKED	批准 APPROVED	日期 DATE

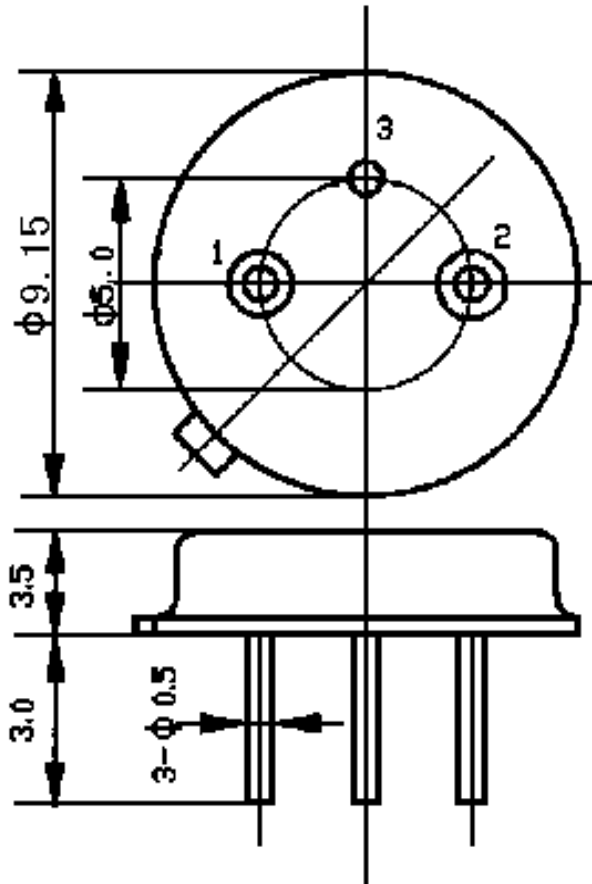
无锡市好达电子有限公司
Shoulder Electronics Limited

更改历史记录 History Record

更改日期 Date	规格书编号 Spec. No.	产品型号 Part No.	客户产品型号 Customer No.	更改内容描述 Modify Content	备注 Remark

1. Package Dimension

NO.	Function
1	Input/Output
2	Input/Output
3	GND



2. Marking

HDF480-1

Unit:mm

3. Features

- *IF filter for DSB receivers
- *Constant group delay
- *Improved ESD capability by integrated shunt resistors
- *Optimized group delay time

4. Performance

4-1. Maximum Rating

DC Voltage V_{DC}	10V
AC Voltage V_{PP}	5V(50Hz/60Hz)
Storage Temperature	-40°C to +80°C
Operable Temperature	-25°C to +85°C

4-2 Electronic Characteristics

Preliminary data					
Characteristics					
Ambient temperance		TA=25℃			
Source impedance		ZS=50Ω			
load impedance		ZL=50Ω			
Characteristics		Mini	Typical	Maxim	Unit
Insertion attenuation	480.00MHz		19.5	21.0	dB
Reference level for the following data					
Center frequency	fc	479.00	480.00	481.00	MHz
Pass Bandwidth	BW3	16.6	17.6	18.6	MHz
Relative attenuation	471.0MHz		3.4	4.4	dB
	489.0MHz		3.0	5.4	dB
Lower side lobe	430.0-461.0MHz	38.0	50.0		dB
Upper side lobe	499-530.0MHz	38.0	45.0		dB
Reflected wave signal suppression 0.13us-2.0us after main pulse		40.0	46.0		dB
Amplitude ripple	476.0-484.0MHz		0.3	0.6	dB
Group delay	480.00MHz		281.5		ns
Group Delay Ripple 471.5-488.5MHz			11.5	18.0	ns
Impedance at 480.00MHz					
	Input Zin=Rin Cin		70 3.7		Ω pF
	output Zout=Rout Cout		280 2.5		Ω pF
DC Resistance	Input Rin		500		Ω
	Output Rout		500		Ω
Temperature coefficient of frequency TC _f			-94		ppm/k

CAUTION: Electrostatic Sensitive Device. Observe precautions for handling

Typical Frequency Response

