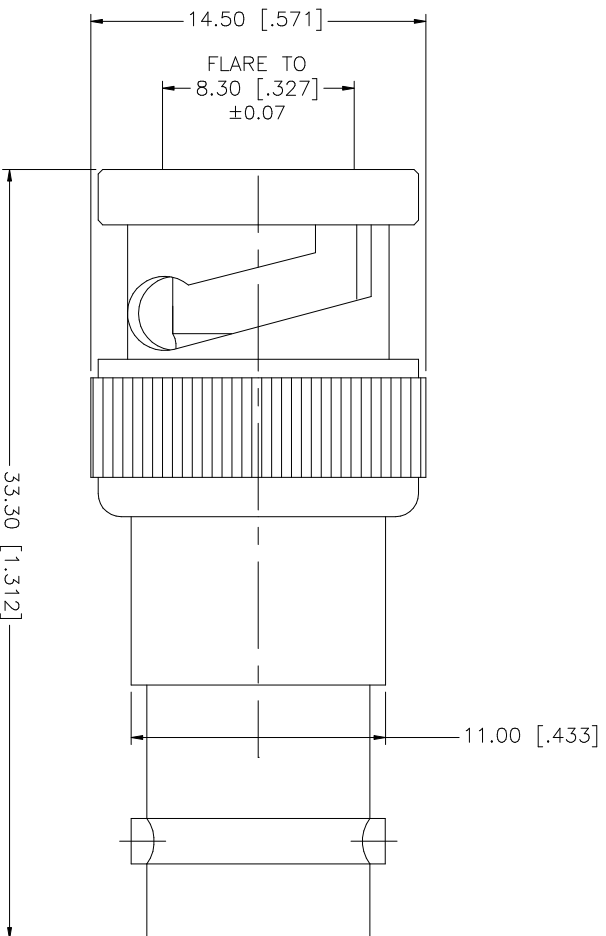


REV.	DATE	DESCRIPTION
NC	08/07/01	INITIAL RELEASE
A	09/20/05	UPDATE DRAWING FORMAT



QTY	DESCRIPTION	MATERIAL	FINISH	QTY	UNLESS OTHERWISE SPECIFIED DIMENSIONS ARE IN MILLIMETERS DIMENSIONS IN INCHES ARE FOR CUSTOMER REFERENCE ONLY.	APPROVALS	DATE	PART DESCRIPTION
1	CONTACT PIN	PHOS. BRONZE	GOLD	1	UNLESS OTHERWISE SPECIFIED DIMENSIONS ARE IN MILLIMETERS DIMENSIONS IN INCHES ARE FOR CUSTOMER REFERENCE ONLY.	DRAWN	09/20/05	Amphenol Connex PART DESCRIPTION BNC PLUG TO JACK ADAPTER - 50ohm
1	INSULATOR BODY	TEFLON BRASS	NATURAL NICKEL	1	UNLESS OTHERWISE SPECIFIED DIMENSIONS ARE IN MILLIMETERS DIMENSIONS IN INCHES ARE FOR CUSTOMER REFERENCE ONLY.	CHECKED		
1				1	UNLESS OTHERWISE SPECIFIED DIMENSIONS ARE IN MILLIMETERS DIMENSIONS IN INCHES ARE FOR CUSTOMER REFERENCE ONLY.	ISSUED		
1				1	UNLESS OTHERWISE SPECIFIED DIMENSIONS ARE IN MILLIMETERS DIMENSIONS IN INCHES ARE FOR CUSTOMER REFERENCE ONLY.	SHEET	1 OF 1	
1				1	UNLESS OTHERWISE SPECIFIED DIMENSIONS ARE IN MILLIMETERS DIMENSIONS IN INCHES ARE FOR CUSTOMER REFERENCE ONLY.	CAD FILE	C:/112/112667.DWG	
	DESCRIPTION	MATERIAL	FINISH	QTY	DO NOT SCALE DRAWING			DWG. NO. 112667.DWG
						REV. A	SIZE A	SCALE NA

Mouser Electronics

Authorized Distributor

Click to View Pricing, Inventory, Delivery & Lifecycle Information:

[Amphenol:](#)

[112667](#)