

NOTES:

1. MATERIALS AND FINISHES:

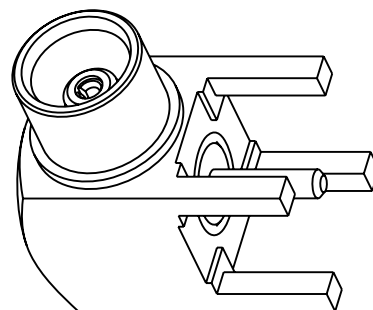
- BODY - BRASS, NICKEL PLATING (.000100" MIN. THICK)
- HOUSING - BRASS, MATTE-TIN PLATING (.000100" MIN. THICK)
- CONTACT - BeCu, GOLD PLATING (.000003" MIN. THICK)
- INSULATOR - PTFE, NATURAL

2. ELECTRICAL:

- A. IMPEDANCE: 50 OHM
- B. FREQUENCY RANGE: DC - 6 GHz
- C. D.W.V: 1000 VRMS, MIN.

3. MECHANICAL:

- A. DURABILITY: 500 CYCLES MIN.
- B. TEMPERATURE RANGE: -65°C TO +165°C

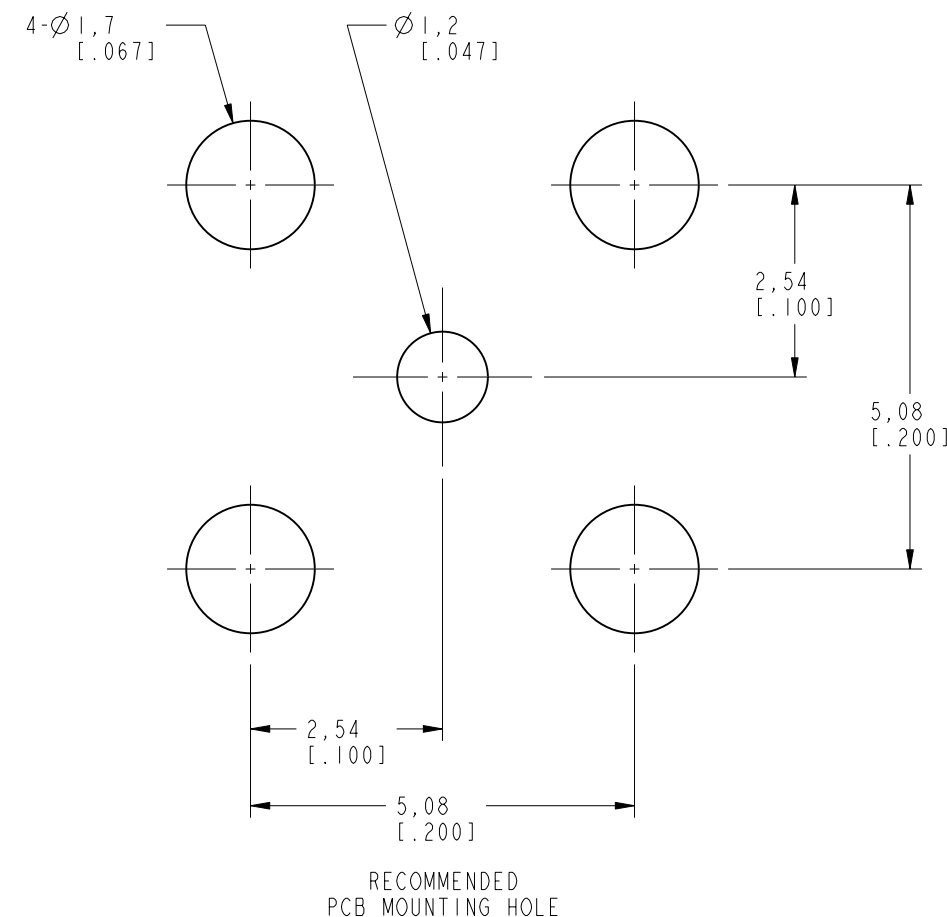
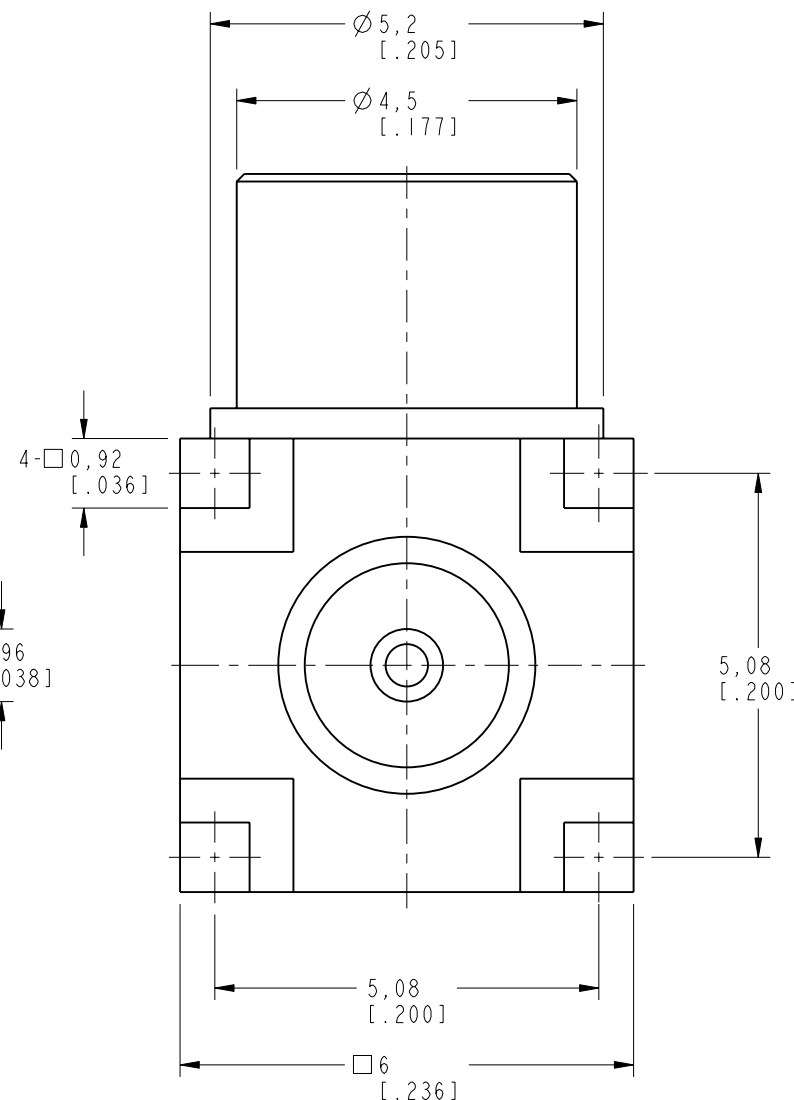
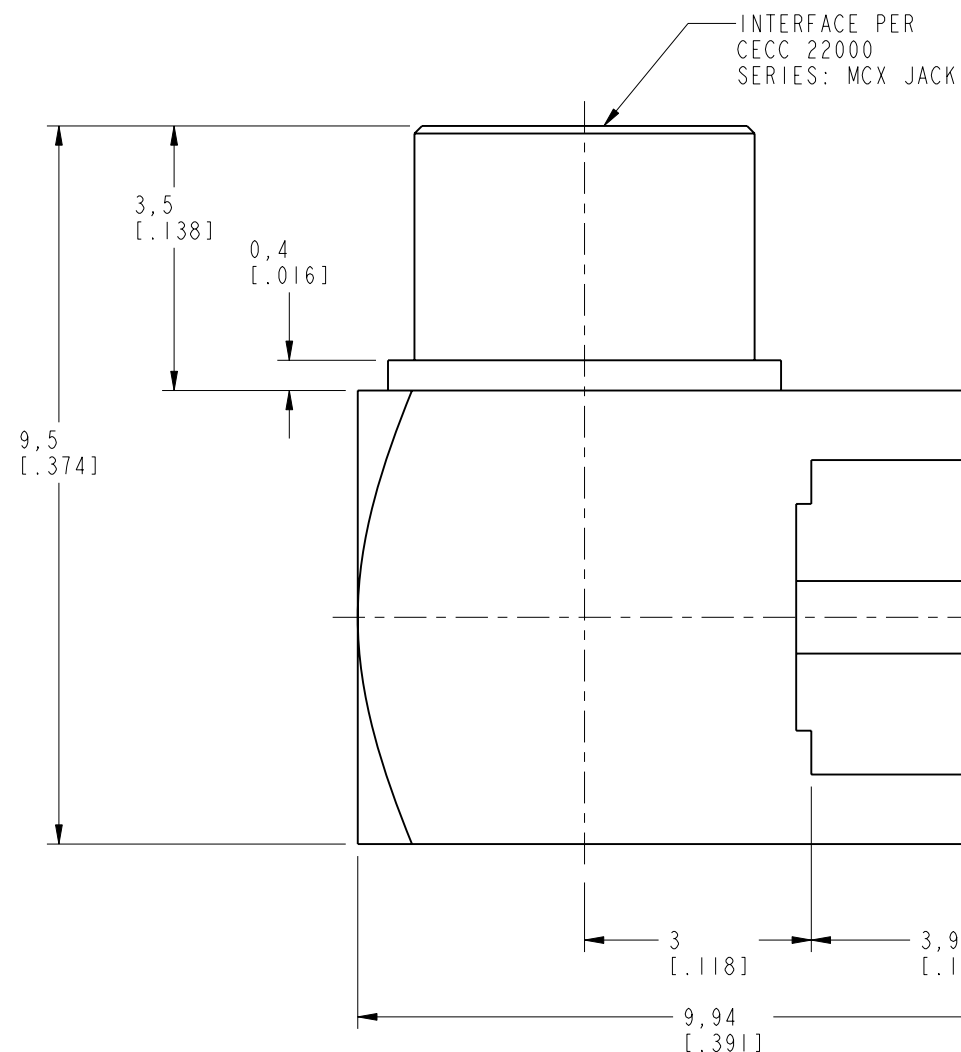


SCALE 4.000

THIRD ANGLE PROJ.

REVISIONS

REV	DESCRIPTION	DATE	ECO	APPR
A	RELEASE TO MFG.	04-Jul-16	01326	MZ



CUSTOMER OUTLINE DRAWING
ALL OTHER SHEETS ARE FOR INTERNAL USE ONLY

<p>UNLESS OTHERWISE SPECIFIED, DIMENSIONS ARE IN METRIC AND TOLERANCES ARE: <0.5mm ±0.05mm 0.5 - 6mm ±0.1mm 6 - 30mm ±0.2mm 30 - 120mm ±0.3mm ANGLES ±1°</p>	MATERIAL	DRAWN M. ZHANG	DATE 04-Jul-16	<p>TITLE MCX R/A P.C. BOARD RECEPT. JACK (3.94 LEGS - MATTE TIN)</p>	<p>Amphenol RF www.amphenolrf.com</p>
	REFERENCE SAME AS MCX6252B1-3GT30G-50 EXCEPT PLATING CONFIGURATION LEVEL: In Work	ENGINEER S. DUAN	DATE 04-Jul-16		
<p>NOTICE - These drawings, specifications, or other data (1) are, and remain the property of Amphenol corp. (2) must be returned upon request; and (3) are confidential and not to be disclosed to any person other than those to whom they are given by Amphenol Corp. the furnishing of these drawings, specifications, or other data by Amphenol Corp., or to any other person to anyone for any purpose is not to be regarded by implication or otherwise in any manner licensing, granting rights to permitting such holder or any other person to manufacture, use or sell any product, process or design, patented or otherwise, that may in any way be related to or disclosed by said drawings, specifications, or other data.</p>	FINISH	APPROVED S. HSIEH	DATE 06-Jul-16	<p>SCALE: 10.0:1.0 SHEET 2 OF 2</p>	<p>ITEM NO. 919-383J-51A</p>
			CAD FILE		<p>DWG SIZE B REV A</p>

Mouser Electronics

Authorized Distributor

Click to View Pricing, Inventory, Delivery & Lifecycle Information:

[Amphenol:](#)

[919-383J-51A](#)