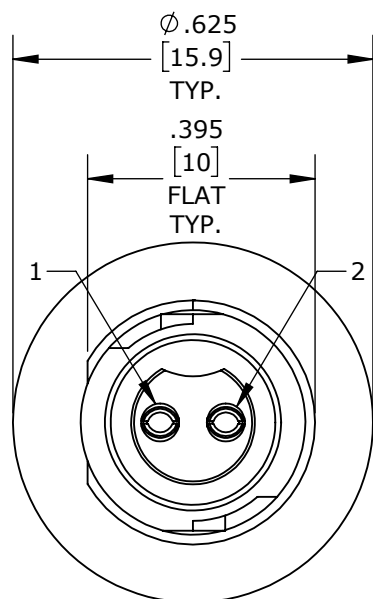


MFG. ENG.	APPROVED BY:	DATE:	QA	APPROVED BY:	DATE:
-----------	--------------	-------	----	--------------	-------

PART NO.	NO. OF PINS
W17280-2SG-P-300	2
W17280-3SG-P-300	3

NOTES:

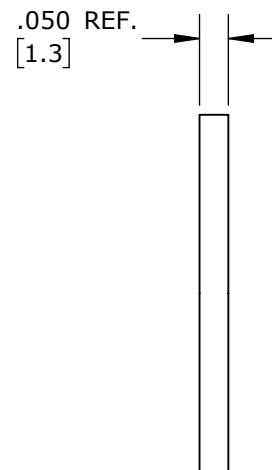
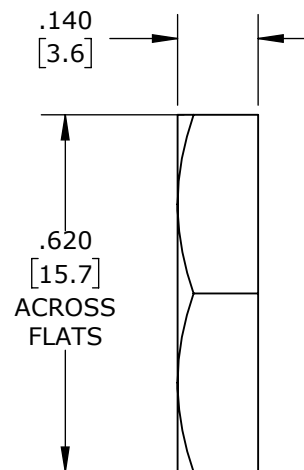
1. ALL PARTS ARE BULK PACKED.
2. REFER TO DRAWING HPMCSTD FOR CONTACT PATTERNS.
3. ALL DIMENSIONS ARE REFERENCE ONLY IN INCHES [mm], WITHIN ±0.015 UNLESS OTHERWISE NOTED.



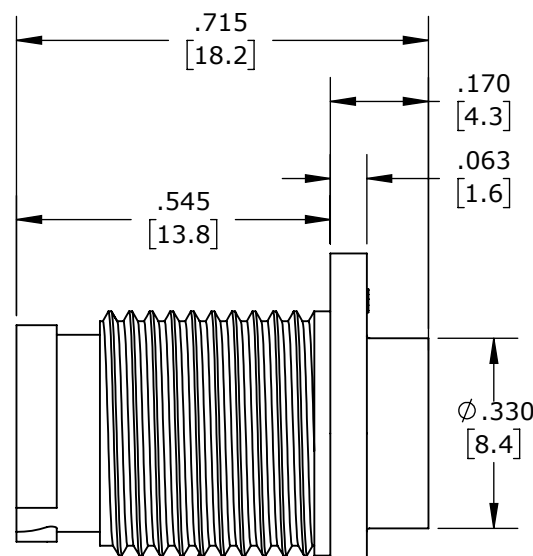
FACE VIEW

W17280-2SG-P-300

5/8 IN. HEX NUT
MAT'L: THERMOPLASTIC, BLACK

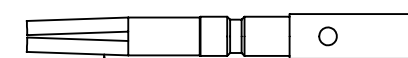


GASKET
MAT'L: ELASTOMER, BLACK

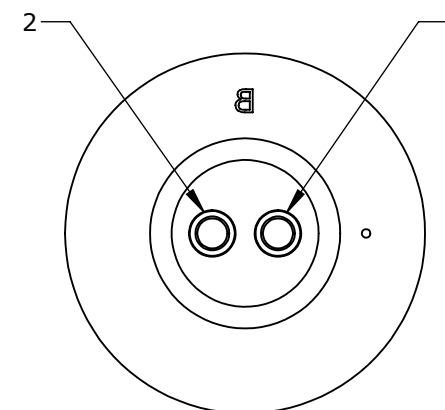


7/16-28 UNEF-2A
THREAD MOD.

PANEL CONNECTOR, FEMALE
MAT'L: THERMOPLASTIC, BLACK

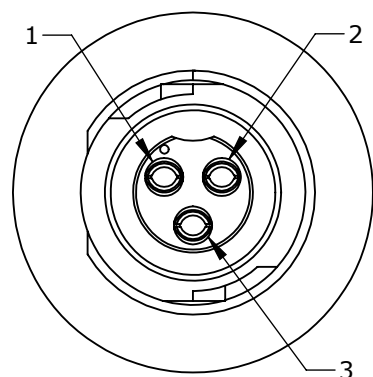


(2-3) #20 SOCKET CONTACTS
WITH CRIMP TAIL
MAT'L: GOLD PLATED, COPPER ALLOY



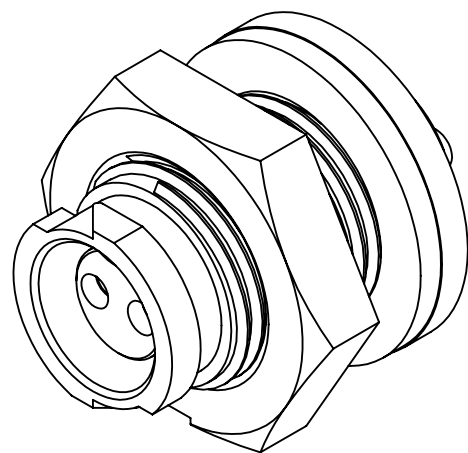
WIRE VIEW

W17280-2SG-P-300

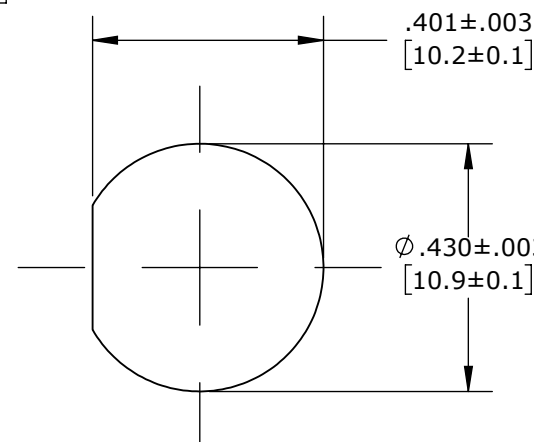


FACE VIEW

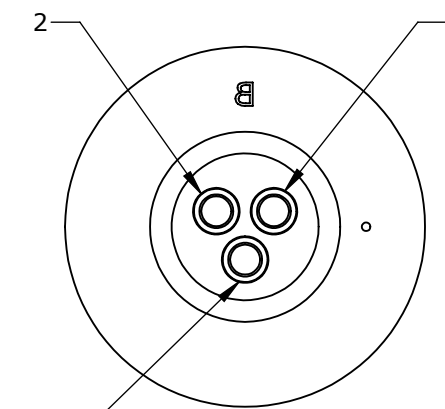
W17280-3SG-P-300



ASSEMBLED VIEW
FOR CUSTOMER REF. ONLY



RECOMMENDED PANEL CUTOUT



WIRE VIEW

W17280-3SG-P-300

CUSTOMER APPROVAL

THIS DOCUMENT CONTAINS CONFIDENTIAL INFORMATION PROPRIETARY TO CONXALL CORPORATION. ANY REPRODUCTION, DISCLOSURE, OR USE OF THIS DOCUMENT /INFORMATION IS EXPRESSLY PROHIBITED UNLESS AUTHORIZED IN WRITING BY CONXALL CORPORATION.

APPROVED BY: _____
DATE: _____

RoHS COMPLIANT

PRELIMINARY

DIMENSIONS IS BRACKETS [] ARE METRIC

0A	JGK	8/13/19	DRAWING CREATED FOR PDR #18004.	
REV.	INIT.	DATE	DESCRIPTION	
	JGK	8/13/19	ALL INFORMATION ILLUSTRATED IS THE PROPERTY OF CONXALL CORPORATION. UNAUTHORIZED DUPLICATION OR DISTRIBUTION OF THIS DOCUMENT IS PROHIBITED. ORG. DRAWN BY: JGK DATE: 8/13/19 CHECKED BY: _____ APPROVED BY: _____ ALL UNITS ARE IN FEET, INCHES, FRACTION OF INCHES AND DECIMALS. UNLESS OTHERWISE SPECIFIED TOLERANCES: 3 PLACE DECIMALS ±.005 ANGLES ±1° FRACTIONS ±1/16 ▽ - CRITICAL CHARACTERISTIC FLAG PER SPEC. XXXX	
SCALE: NTS SIZE: B SHEET: 1 OF 1 FILE: W17280-XSG-P-300 DIRECTORY: SLW			conxall 601 E. WILDWOOD VILLA PARK, IL 60181 TITLE: PANEL MOUNT ASSEMBLY (2-3) #20 SOCKET CONTACTS, CRIMP TAIL INSTA-CLICK, MICRO-CON-X STANDARD PRODUCT CUSTOMER: _____ PART NUMBER: W17280-XSG-P-300	
				REV 0A

CUSTOMER PRINT

PART NUMBER: W17280-XSG-P-300

Mouser Electronics

Authorized Distributor

Click to View Pricing, Inventory, Delivery & Lifecycle Information:

[Switchcraft:](#)

[W17280-3SG-P-300](#) [W17280-2SG-P-300](#)