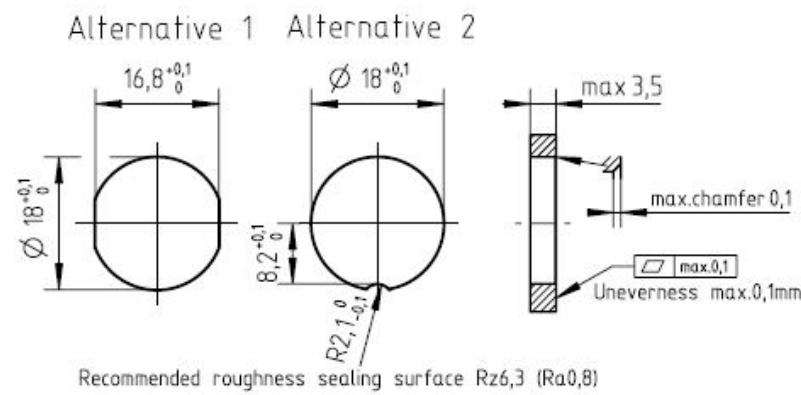
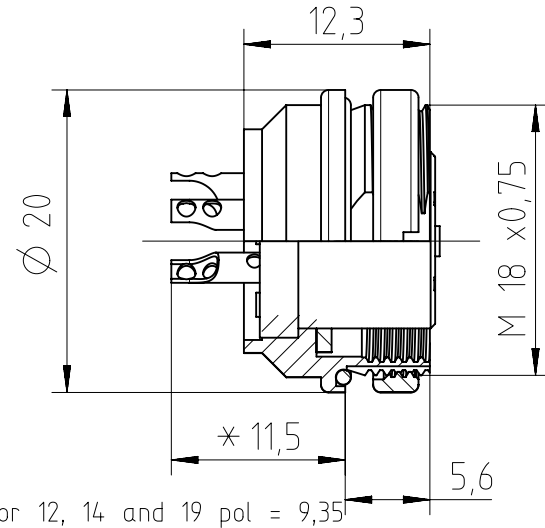


Panel Cutout M1:1



	19 (19-a)	C091 31G019 100 2 U	C091 31G019 200 2 U
	14 (14-b)	C091 31G114 100 2 U	C091 31G114 200 2 U
	14 (14-a)	C091 31G014 100 2 U	C091 31G014 200 2 U
	12 (12-a)	C091 31G012 100 2 U	C091 31G012 200 2 U
	8 (08-a)	C091 31G008 100 2 U	C091 31G008 200 2 U
	7 (07-b)	C091 31G107 100 2 U	C091 31G107 200 2 U
	7 (07-a)	C091 31G007 100 2 U	C091 31G007 200 2 U
	6 (06-a)	C091 31G006 100 2 U	C091 31G006 200 2 U
	5 (05-b)	C091 31G105 100 2 U	C091 31G105 200 2 U
	5 (05-a)	C091 31G005 100 2 U	C091 31G005 200 2 U
	4 (04-a)	C091 31G004 100 2 U	C091 31G004 200 2 U
	3 (03-a)	C091 31G003 100 2 U	C091 31G003 200 2 U

Contact arrangement View on mating side	Number of contacts (Contact arrangement acc. IEC 61076-2-106)	Part number-Ag	Part number-Au
--	---	----------------	----------------

Number of contacts	Standard	3	4	5	5	6	7	7	8	12	14	14	19	
Contact arrangement	IEC 61076-2-106	03-a	04-a	05-a	05-b	06-a	07-a	07-b	08-a	12-a	14-a	14-b	19-a	
Contact arrangement	IEC 60130-9 ^b	yes	no	yes	no	yes	no	yes	no					
Rated voltage ²⁾	IEC 60664-1	300 V (100 V)	300 V (63 V)	100 V (32 V)	300 V (63 V)	100 V (32 V)	150 V (32 V)	60 V (32 V)						
Rated voltage	UL 1977	250V						60V						
Rated impulse withstand voltage ²⁾	IEC 60664-1	1500 V (1500 V)	1200 V (800 V)	1500 V (1500 V)					1200 V (800 V)					
Pollution degree ²⁾	IEC 60664-1	1 (3 ³⁾)												
Installation category	IEC 60664-1	I												
Insulation group	IEC 60664-1	II, 400 ≤ CTI < 600												
Current rating	IEC 60512-5-2 UL 1977	10A/+40°C	7A/+40°C						3A/+40°C					
Insulation resistance	IEC 60512-3-1	>10 ¹⁰ Ohm ⁴⁾												
Contact resistance	IEC 60512-2-1	<5mOhm												
Climatic category	IEC 60668-1	40 / 100 / 56												
Temperatur range	IEC 60668-1	-40°C...+100°C / -40°F...+212°F												
Salt spray resistance	DIN IEC 60068-2-11, test Ka	720h												
IP degree	IEC 60529	IP 69K / IP 67 / IP 65 (in mated condition)												
Insertion and withdrawal force	IEC 60512-13-2	25N	30N	35N	35N	50N	55N	55N	60N	50N	50N	50N	60N	
mechanical operation	IEC 60512-9-1	Silver ≥500 mating cycles / Gold ≥1000 mating cycles												
housing material		brass and / or zinc die cast, nickel plated												
dielectric material		thermoplastic												
sealing material		Chloroprene												
contacts		silver or gold plated												
termination technique		solder												
wire gauge		≤0,5mm ² / 20 AWG						≤0,35mm ² / 22 AWG						
flamability		UL 94 V0												
locking system	IEC 60130-9 DIN EN 61076-2-106	metal screw coupling; tightening torque 0,7 - 1,5 Nm												

Gewicht (errechnet) / Calc WT: 13,657 g	Zul. Abw./Tolerances:	Maßstab / Scale: 2:1	A3	
Prüfmaß / Testdimension	ISO 2768-c	CUSTOMER DRAWING		
Teileindex / Partindexnumber:		DIN / ISO 13715		
Bagatelle change: 09.02.2021 MCARLE		Female receptacle rear mounting		
Gez. 08.06.2017	Drawn AZN_NPFEIFFE	Blatt / Sheet 1		
Status Released	Gepr. 11.01.2021	1 Bl.		
Checked MBERTSCH		Ers. f. l. Replacement for: M-C091 31GXXX X00 2 Rev02		
04 202000083 26.10.2020 MCARLE	Amphenol Tuchel Industrial GmbH	Index		
03 201700004 12.06.2017 NPFEI		Description		
Index	Änderung / Description	Datum / Date		

¹⁾ Edition 2000-05
²⁾ values in brackets are according to DIN EN 61076-2-106
³⁾ designed acc. pollution degree 2, can be used under pollution degree 3 when the rules of IEC 60644-1 are fulfilled
⁴⁾ under operating conditions >10⁸ Ohm
 Do not connect or disconnect under load Metal housing parts shall be securely incorporated to protected ground
 Remark for gold plated contacts:
 In order to avoid brittle inter-metallic connections, gold plated terminals have to be tin-plated in the solder area.
 All technical data have been measured in a laboratory environment and can be different during practical usage of the product. Any product information is for descriptive usage only and not legally binding, particularly the information does not constitute or provide any legal guaranties ("Beschaffenheitsgarantie" or "Haltbarkeitsgarantie")

Coping of this document and giving it to others and the use or communication of the contents thereof, are forbidden without express authority. Offenders are liable to the payment of damages. All rights are reserved in the event of the grant of a patent or the registration of the utility model or design.
 Weitergabe sowie Vervielfältigung dieser Unterlage, Verwertung und Mitteilung ihres Inhalts nicht gestattet, soweit nicht ausdrücklich zugestanden. Zuwiderhandlungen verpflichten zu Schadenersatz. Alle Rechte für den Fall der Patenterteilung oder Gebrauchsmuster-Eintragung vorbehalten.

Mouser Electronics

Authorized Distributor

Click to View Pricing, Inventory, Delivery & Lifecycle Information:

[Amphenol:](#)

[C091 31G008 100 2](#)