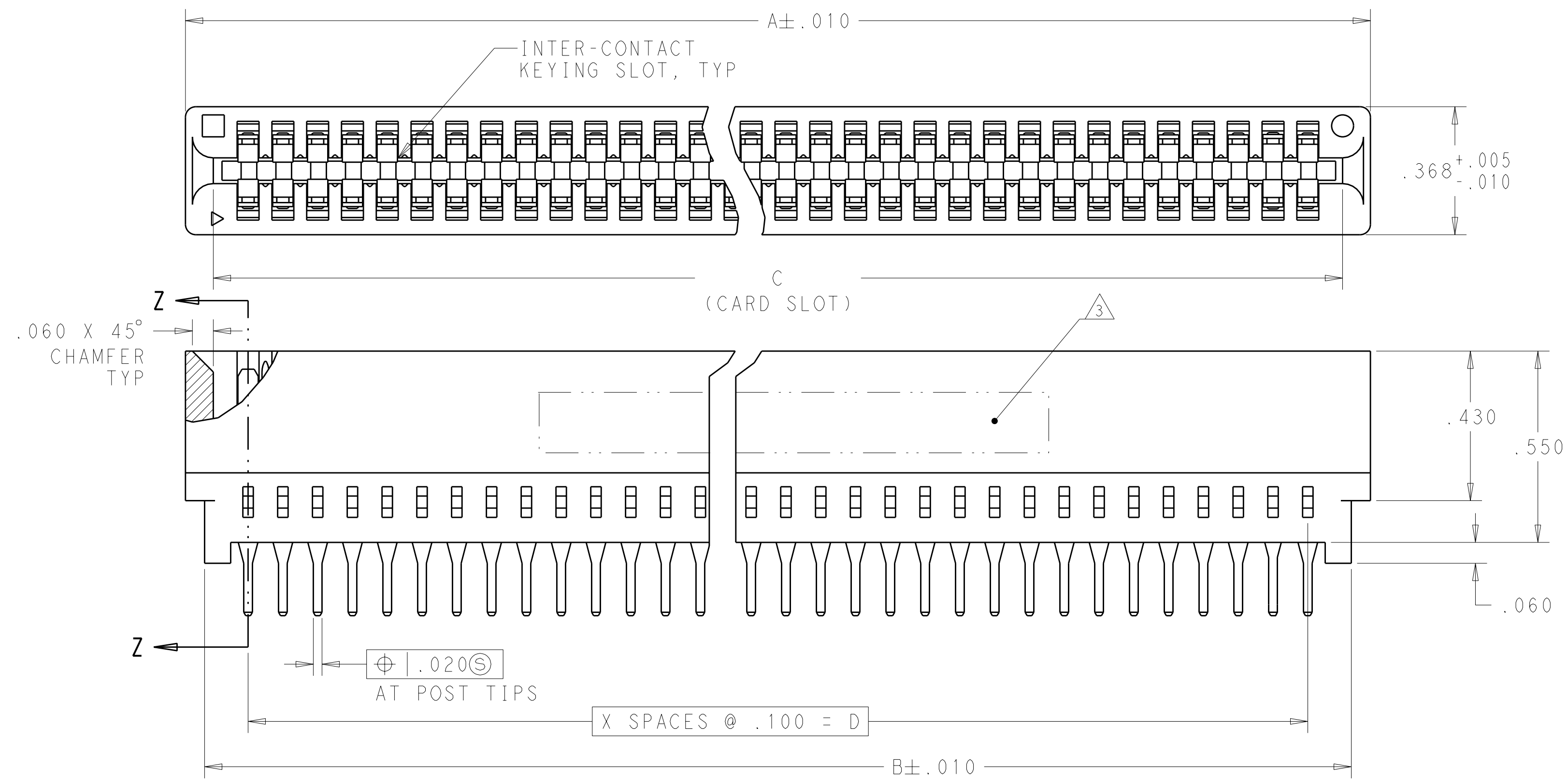
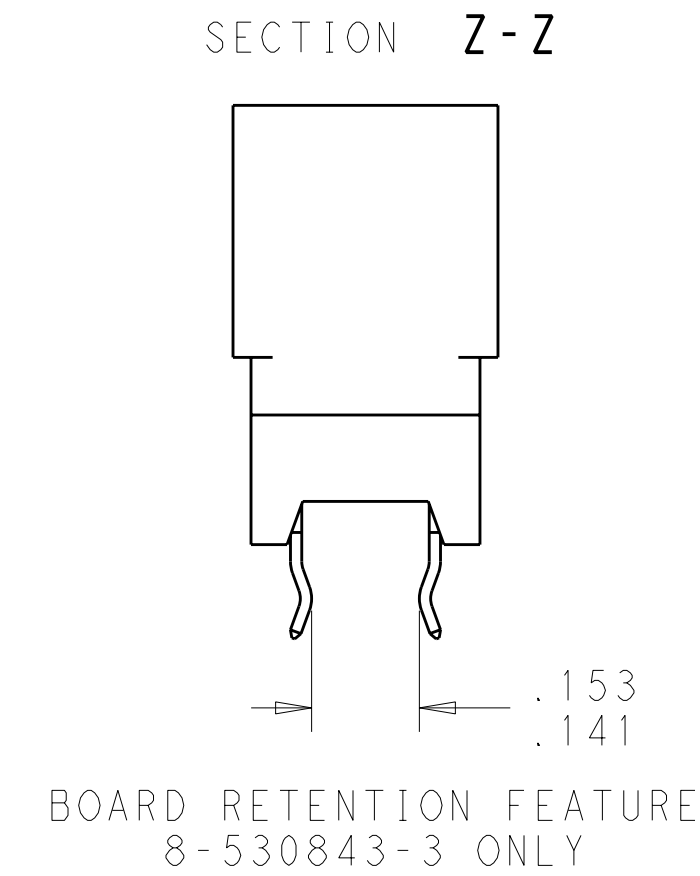
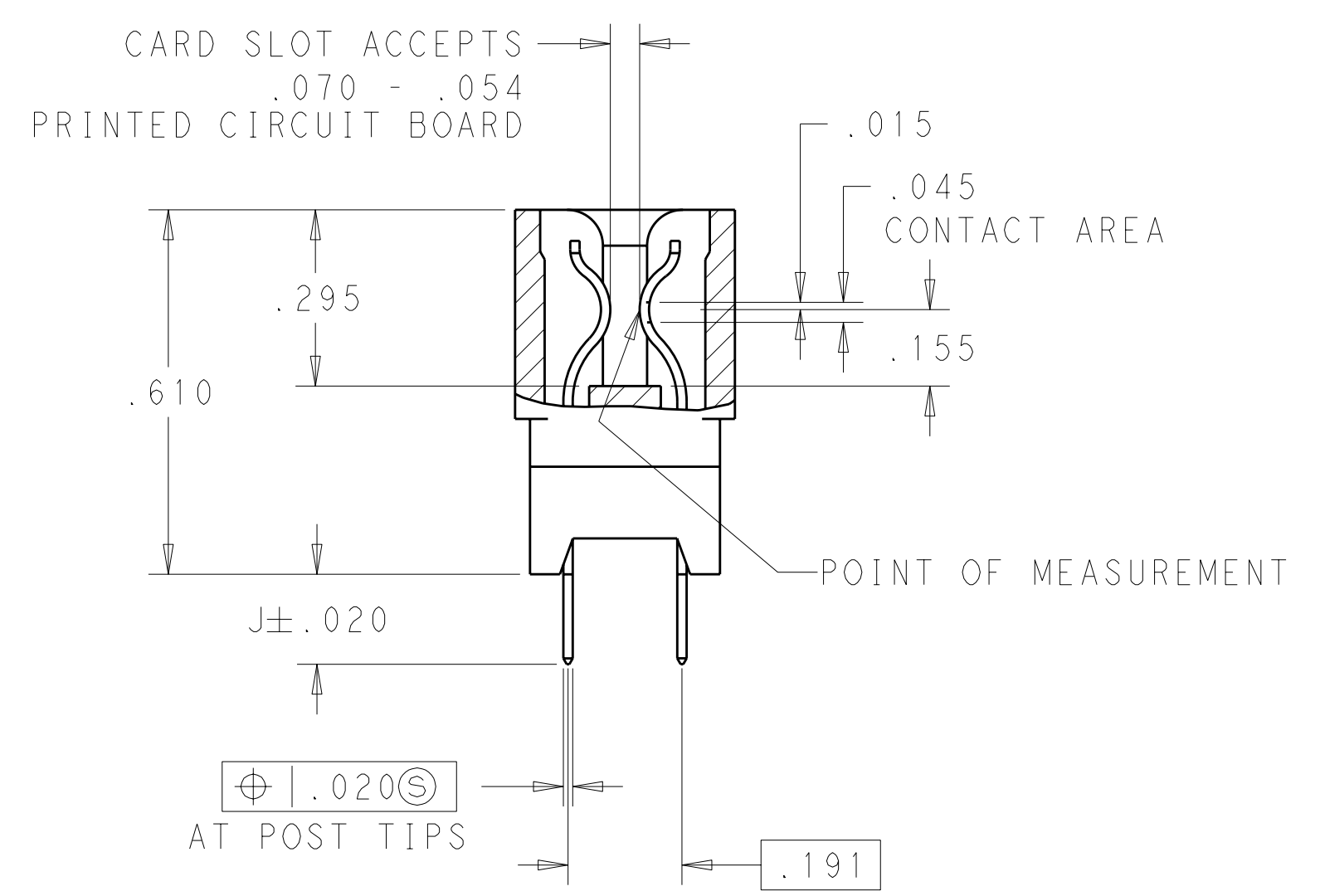
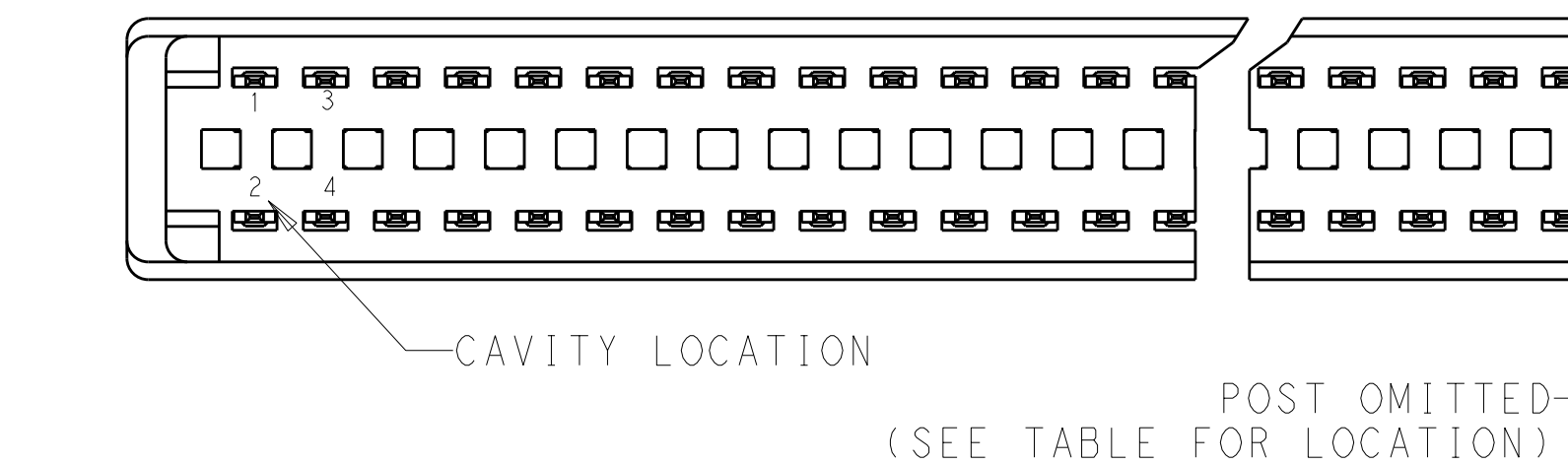


LOC	DIST	REV	DATE	BY	APPD
GP	00	E2	30OCT2009	RG	EH



- 1 MATERIAL:
HOUSING - GLASS FILLED POLYESTER, COLOR BLACK
CONTACT - PHOSPHOR BRONZE
- 2 FINISH:
(SEE TABLE FOR GOLD PLATING) IN CONTACT AREA.
.000100 MIN MATTE TIN ON SOLDER POSTS. ALL OVER
.000050 MIN THK. NICKEL
- 3 AMP LOGO, TE PART NUMBER, DATE CODE AND CSA LOGO INK STAMPED WHITE (HOT STAMPED OR LAZER PRINTED) IN THE APPROXIMATE AREA SHOWN, EITHER SIDE PERMISSABLE WHEN HOUSING SIZE PERMITS
- 4. RECOMMENDED PCB FINISHED HOLE Ø .040 ± .003
- 5 .000015 MIN
- 6 .000030 MIN

OBSELETE	PART NUMBER
OBSELETE	8-5530843-2
OBSELETE	8-5530843-1
OBSELETE	4-5530843-1
OBSELETE	1-5530843-9
OBSELETE	1-5530843-2



OMITTED PIN	BOARD RETENTION FEATURE LOCATION (SEE DETAIL Y)	FINISH	J	D	C	B	A	X	NO. OF DUAL POSITIONS	PART NUMBER
19, 20, 21, 22, 23, 24, 27, 28, 31, 32, 35, 36, 39, 40, 43, 44, 45, 46, 47, 48, 51, 52, 55, 56, 59, 60	-	6	.187	1.100	1.300	1.350	1.460	11	12	8-5530843-5
3, 4, 5, 6, 19, 20, 21, 22	-	6	.125	3.000	3.200	3.250	3.360	30	31	8-5530843-4
-	-	6	.125	1.100	1.300	1.350	1.460	11	12	8-5530843-3
-	-	6	.125	.200	.400	.450	.560	2	3	7-5530843-7
-	-	6	.187	.500	.700	.750	.860	5	6	7-5530843-6
-	-	6	.125	.500	.700	.750	.860	5	6	7-5530843-5
-	-	5	.125	3.000	3.200	3.250	3.360	30	31	7-5530843-0
-	-	6	.125	3.000	3.200	3.250	3.360	30	31	6-5530843-5
-	-	6	.125	5.900	6.100	6.150	6.260	59	60	5-5530843-5
-	-	6	.125	1.900	2.100	2.150	2.260	19	20	5-5530843-4
-	-	6	.125	1.600	1.800	1.850	1.960	16	17	5-5530843-3
-	-	6	.125	.900	1.100	1.150	1.260	9	10	5-5530843-0
-	-	5	.125	1.700	1.900	1.950	2.060	17	18	2-5530843-7
-	-	6	.125	3.400	3.600	3.650	3.760	34	35	2-5530843-3
-	-	6	.187	4.900	5.100	5.150	5.260	49	50	2-5530843-2
-	-	6	.187	3.900	4.100	4.150	4.260	39	40	2-5530843-0
-	-	6	.187	2.900	3.100	3.150	3.260	29	30	1-5530843-8
-	-	6	.187	2.400	2.600	2.650	2.760	24	25	1-5530843-6
-	-	6	.125	4.200	4.400	4.450	4.560	42	43	1-5530843-0
-	-	6	.125	3.500	3.700	3.750	3.860	35	36	5530843-8
-	-	6	.125	2.900	3.100	3.150	3.260	29	30	5530843-7
-	-	6	.125	2.700	2.900	2.950	3.060	27	28	5530843-6
-	-	6	.125	2.400	2.600	2.650	2.760	24	25	5530843-5
-	-	6	.125	2.100	2.300	2.350	2.460	21	22	5530843-4
-	-	6	.125	1.700	1.900	1.950	2.060	17	18	5530843-3
-	-	6	.125	1.400	1.600	1.650	1.760	14	15	5530843-2
-	-	6	.125	1.100	1.300	1.350	1.460	11	12	5530843-1

DIMENSIONS: INCHES TOLERANCES UNLESS OTHERWISE SPECIFIED: 9 PLC ± 3 PLC ±.005 5 PLC ± 4 PLC ± ANGLES ±#2 FINISH:		DWN: 30OCT2009 CBY: M.PERCHEM E.HOWARD M.PERCHEM 30OCT2009 PRODUCT SPEC: 109-9039 APPLICATION SPEC: 114-13018 WEIGHT:	Tyco Electronics Harrisburg, PA 17110-3608 NAME: CONNECTOR ASSEMBLY STANDARD EDGE II, .100 CENTERLINE SIZE: A100779 CAGE CODE: C=5530843 SCALE: 4:1 SHEET: 1 OF 1 REV: E2
---	--	--	--