

4

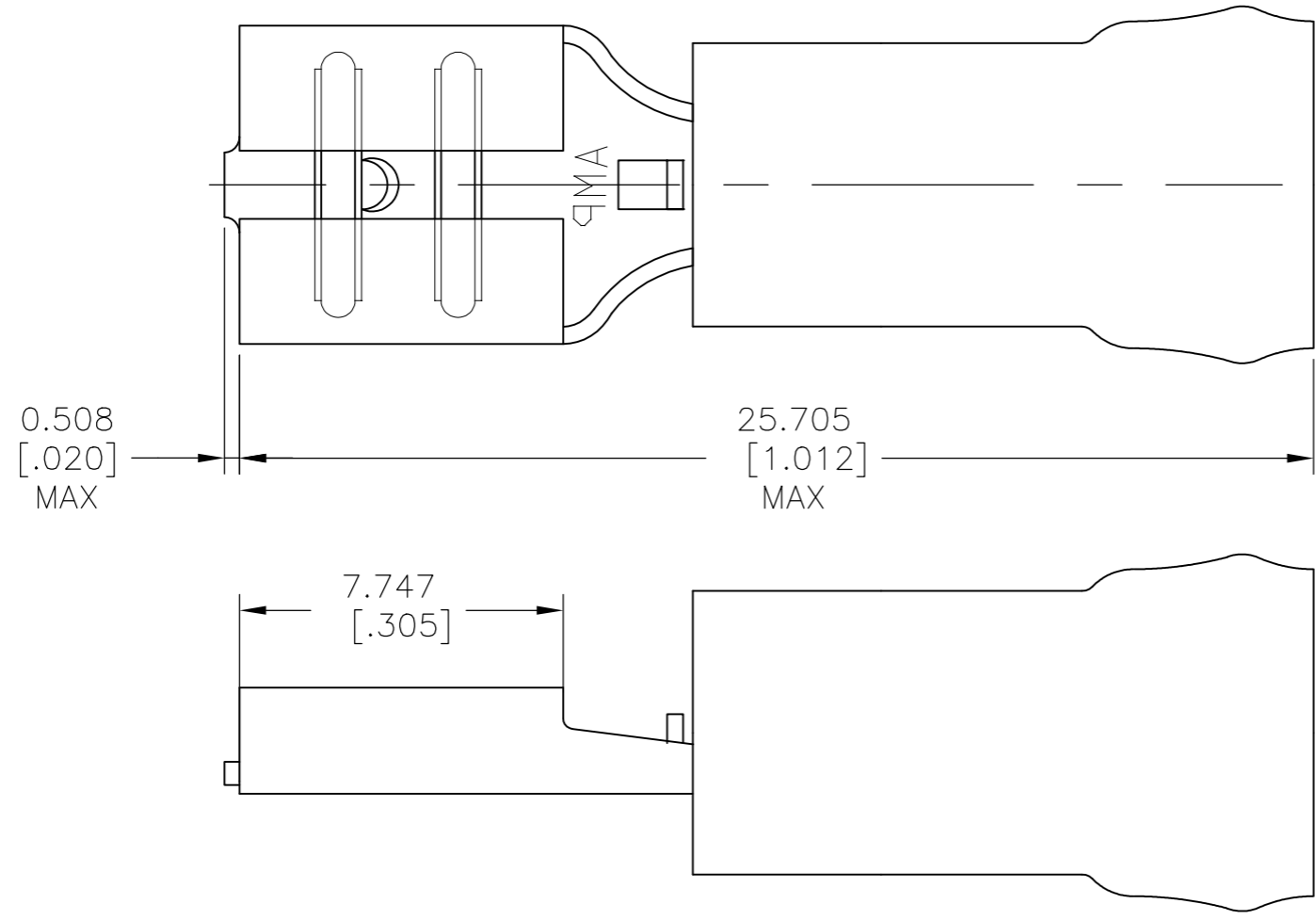
3

2

1

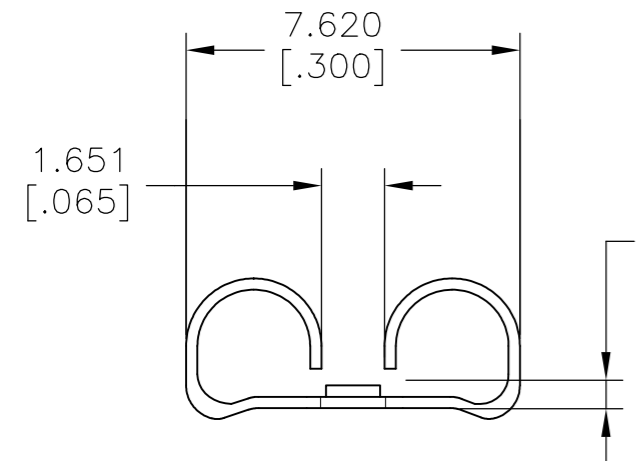
THIS DRAWING IS UNPUBLISHED. RELEASED FOR PUBLICATION
 © COPYRIGHT - By - ALL RIGHTS RESERVED.

REVISIONS					
P	LTR	DESCRIPTION	DATE	DWN	APVD
	J2	REVISED PER ECO-11-004587	11MAR11	RK	HMR
	J3	REVISED PER ECO-18-014192	07SEP2018	RS	DR



1. INSULATION DIA .250 MAX
2. FITS TAB .032 THK
3. FINISH:
 BODY & SLEEVE: 0.00254[.000100]
 MIN THK TIN PER ASTM B545

AMP WIRE RANGE	FILE E66717	LR7189 Certified
12-10 AWG STRANDED	12-10 AWG STRANDED	12-10 AWG STRANDED



FITS "250" SERIES
FASTON TAB

100	LOOSE PC,BOX	8-640907-1
2500	TAPE MOUNTED	640907-2
500	LOOSE PIECE	640907-1
QTY	PACKAGE TYPE	PART NO

TE CONNECTIVITY CUSTOMER SERVICE SYSTEM		MAX RECOMMENDED OPERATING TEMPERATURE: 105°C[221°F] -	THIS DRAWING IS A CONTROLLED DOCUMENT.		DWN L OLMEDA 26JUN95	TE Connectivity			
FOR ADDITIONAL PRODUCT INFORMATION OR COPIES OF DRAWING AND TECHNICAL DOCUMENTS	PRODUCT INFORMATION CENTER 1-800-522-6752		DIMENSIONS: mm [INCHES]	TOLERANCES UNLESS OTHERWISE SPECIFIED:	CHK M ELLIS 26JUN95				
FOR APPLICATION TOOLING INFORMATION	TOOLING ASSISTANCE CENTER 1-800-722-1111	VOLTAGE RATING: 300V MAX -		0 PLC ± - 1 PLC ± - 2 PLC ± - 3 PLC ± 0.381[.015] 4 PLC ± -	APVD B BARE 26JUN95	NAME RECEPTACLE, 250 SERIES, FASTON , PIDG , 12-10 AWG			
FOR ORDER ENTRY	1-800-526-5142	CIRCULAR MIL AREA: 5,180-13,100 STRANDED	MATERIAL BODY,BRASS .018 THK PER ASTM B36	FINISH 	PRODUCT SPEC UL 310	SIZE A3	CAGE CODE 00779	DRAWING NO C-640907	RESTRICTED TO -
CUSTOMER DRAWING					WEIGHT	SCALE 6:1	SHEET 1 OF 1	REV J3	

Mouser Electronics

Authorized Distributor

Click to View Pricing, Inventory, Delivery & Lifecycle Information:

[TE Connectivity:](#)

[640907-1](#)