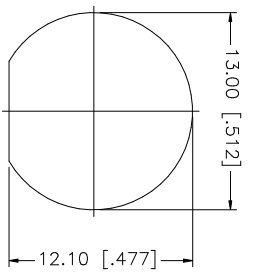
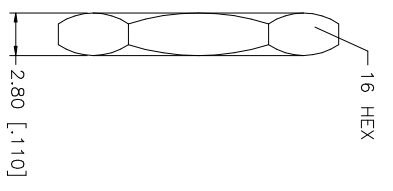
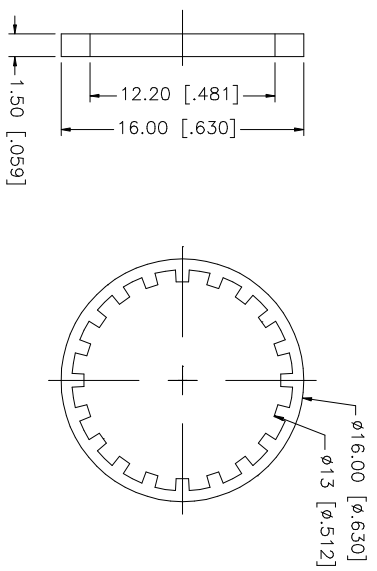
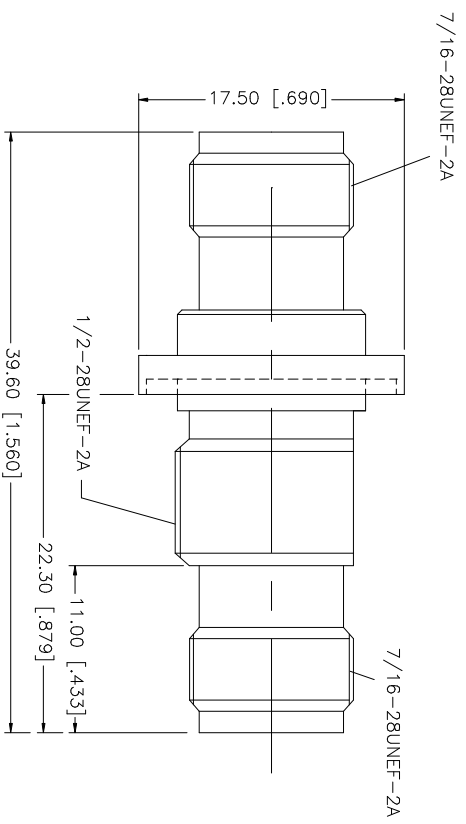


REV.	DATE	DESCRIPTION
NC	05/25/04	INITIAL RELEASE



RECOMMENDED
MOUNTING HOLE

QTY	DESCRIPTION	MATERIAL	FINISH	FINISH	QTY	DO NOT SCALE DRAWING
1	HEX NUT	BRASS	NICKEL	NICKEL	1	UNLESS OTHERWISE SPECIFIED DIMENSIONS ARE IN MILLIMETERS. DIMENSIONS IN [] ARE IN INCHES AND FOR CUSTOMER REFERENCE ONLY.
1	LOCK WASHER	BRASS	NICKEL	NICKEL	1	UNLESS OTHERWISE SPECIFIED TOLERANCES FOR MILLIMETERS ARE:
1	GASKET	RUBBER	RED	RED	1	0.5 - 8mm ± 0.20mm
1	CONTACT PIN	PHOS. BRONZE	GOLD	GOLD	1	8 - 30mm ± 0.40mm
1	INSULATOR	DELRIN	NATURAL	NATURAL	1	30 - 120mm ± 0.50mm
1	BODY	BRASS	NICKEL	NICKEL	1	UNLESS OTHERWISE SPECIFIED TOLERANCES FOR INCHES ARE:
					1	0.20 - .315 = ± 0.007"
					1	.315 - 1.180 = ± 0.015"
					1	1.180 - 4.724 = ± 0.020"
	DESCRIPTION	MATERIAL	FINISH	FINISH	QTY	DO NOT SCALE DRAWING

Amphenol Connex

PART DESCRIPTION
TNC FEMALE TO FEMALE BULKHEAD ADAPTOR

PART NO. 122340

APPROVALS	DATE
DRAWN G.R.S.	05/25/04
CHECKED	
ISSUED	
SHEET 1 OF 1	

CAD FILE
C:/122/122340.DWG

DWG. NO. 122340.DWG REV. NC SIZE A SCALE NA

Mouser Electronics

Authorized Distributor

Click to View Pricing, Inventory, Delivery & Lifecycle Information:

[Amphenol:](#)

[122340](#)