

UDB

Bi-Polarized, For Speaker Network

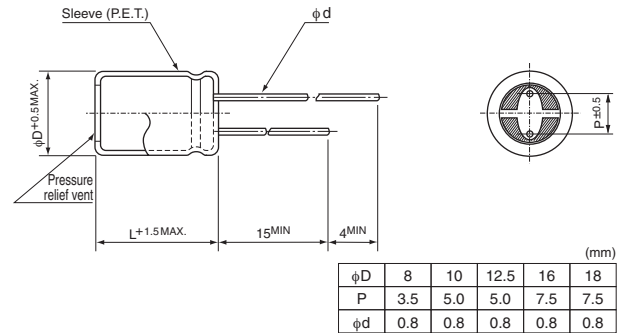


- Bi-polarized series.
- Designed specifically for crossover networks in Hi-Fi sound systems.
- Compliant to the RoHS directive (2011/65/EU,(EU)2015/863).

Specifications

Item	Performance Characteristics
Category Temperature Range	-40 to +85°C
Rated Voltage Range	50V
Rated Capacitance Tolerance	±20% at 1kHz
Leakage Current (After 5 minutes' application of rated voltage at 20°C)	Leakage current is not more than 0.03CV or 3 (μA), whichever is greater.
Tangent of loss angle (tan δ) (1 kHz) (5 kHz)	0.10 or less 0.15 or less
Allowable Continuous Current (8Ω - fc)	Value in table or less
Marking	Printed with white color letter on black sleeve.

Radial Lead Type



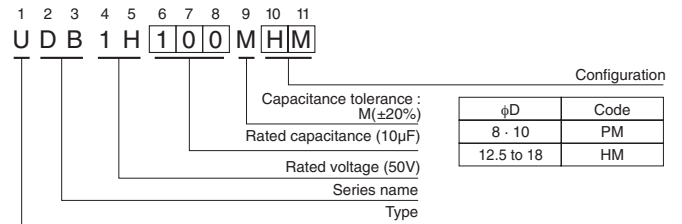
Dimensions

φ D × L (mm)

Cap. (μF)	Code	1H (50V)	Allowable Continuous Current (8Ω - fc)	
			Frequency (Hz)	Rated ripple (mA _{rms})
1	010	8 × 11.5	20k	205
1.5	1R5	8 × 11.5	13k	245
2.2	2R2	10 × 12.5	9k	320
3.3	3R3	10 × 16	6k	400
4.7	4R7	10 × 20	4.2k	480
6.8	6R8	12.5 × 20	2.9k	540
10	100	12.5 × 25	2k	600
15	150	12.5 × 25	1.3k	660
22	220	16 × 25	900	740
33	330	16 × 31.5	600	800
47	470	18 × 35.5	420	1020

• Please refer to page 20 about the end seal configuration.

Type numbering system (Example : UDB 50V 10μF)



Please refer to page 20, 21, 22 about the formed or taped product spec.
Please refer to page 4 for the minimum order quantity.

Mouser Electronics

Authorized Distributor

Click to View Pricing, Inventory, Delivery & Lifecycle Information:

Nichicon:

[UDB1H100MHB](#) [UDB1H150MHB](#) [UDB1H6R8MHB](#) [UDB2A2R7KPDANATD](#) [UDB1H100MRB](#) [UDB1H010MPM](#)
[UDB1H100MHM](#) [UDB1H150MHM](#) [UDB1H1R5MPM](#) [UDB1H220MHM](#) [UDB1H330MHM](#) [UDB1H470MHM](#)
[UDB1H4R7MPM](#) [UDB1H680MRM](#) [UDB1H6R8MHM](#) [UDB1H2R2MPM](#) [UDB1H3R3MPM](#) [UDB1H4R7MPM1TD](#)
[UDB1H3R3MPM1TD](#) [UDB1H010MPM1TD](#) [UDB1H6R8MHM1TO](#) [UDB1H100MHM1TO](#) [UDB1H150MHM1TO](#)
[UDB1H1R5MPM1TD](#) [UDB1H220MHM1TN](#) [UDB1H2R2MPM1TD](#)