

FEATURES

- RoHS compliant
- Efficiency up to 78%
- Wide temperature performance at full 1 Watt load, -40°C to 85°C
- UL 94V-0 Package material
- Footprint over pins 1.64cm²
- Lead frame technology
- 3.3V, 5V & 12V inputs
- 3.3V, 5V, 9V, 12V & 15V outputs
- Internal SMD construction
- Toroidal magnetics
- 1kVDC Isolation 'Hi Pot Test'
- MTTF up to 2.1 Million hours
- Power density 1.36W/cm³
- No heatsink required
- Custom solutions available
- Multi-layer ceramic capacitors

PRODUCT OVERVIEW

The NTA series of miniature surface mounted DC-DC Converters employ leadframe technology and transfer moulding techniques to bring all of the benefits of IC style packaging to hybrid circuitry. Co-planarity of the lead positions is based upon IEC 191-6:1990. The devices are suitable for all applications where high volume production is envisaged.



For full details go to www.murata-ps.com/rohs

SELECTION GUIDE

| Order Code ¹ | Nominal Input Voltage | Output Voltage | Output Current | Input Current at Rated Load | Efficiency | Isolation Capacitance | MTTF ² | Recommended Alternative |
|---|-----------------------|----------------|----------------|-----------------------------|------------|-----------------------|-------------------|-------------------------|
| | V | V | mA | mA | % | pF | kHrs | |
| Recommended In Production | | | | | | | | |
| NTA0505MC | 5 | ±5 | ±100 | 290 | 69 | 33 | 1697 | |
| NTA0509MC | 5 | ±9 | ±55 | 267 | 75 | 38 | 682 | |
| NTA0512MC | 5 | ±12 | ±42 | 260 | 77 | 44 | 343 | |
| NTA0515MC | 5 | ±15 | ±33 | 256 | 78 | 43 | 188 | |
| NTA1205MC | 12 | ±5 | ±100 | 121 | 69 | 50 | 559 | |
| NTA1212MC | 12 | ±12 | ±42 | 111 | 75 | 89 | 243 | |
| NTA1215MC | 12 | ±15 | ±33 | 110 | 76 | 100 | 154 | |
| To be discontinued | | | | | | | | |
| NTA0303MC | 3.3 | ±3.3 | ±152 | 402 | 75 | 29 | 1005 | Contact Murata |
| NTA0305MC | 3.3 | ±5 | ±100 | 388 | 78 | 30 | 399 | NKA0305SC |
| NTA0309MC | 3.3 | ±9 | ±55 | 405 | 75 | 34 | 827 | Contact Murata |
| NTA0312MC | 3.3 | ±12 | ±42 | 390 | 77 | 40 | 375 | NKA0312SC |
| NTA0315MC | 3.3 | ±15 | ±33 | 392 | 77 | 42 | 206 | NKA0315SC |
| NTA0503MC | 5 | ±3.3 | ±152 | 259 | 77 | 31 | 964 | NKA0503SC |
| NTA0505MEC | 5 | ±5 | ±100 | 251 | 80 | 42 | 367 | NTA0505MC |
| NTA1209MC | 12 | ±9 | ±55 | 113 | 74 | 72 | 375 | NMA1209SC |

INPUT CHARACTERISTICS

| Parameter | Conditions | Min. | Typ. | Max. | Units |
|--------------------------|---------------------------------------|------|------|------|--------|
| Voltage range | Continuous operation, 3V input types | 2.97 | 3.3 | 3.63 | V |
| | Continuous operation, 5V input types | 4.5 | 5 | 5.5 | |
| | Continuous operation, 12V input types | 10.8 | 12 | 13.2 | |
| Reflected ripple current | | | 41 | 50 | mA p-p |

OUTPUT CHARACTERISTICS

| Parameter | Conditions | Min. | Typ. | Max. | Units |
|------------------------------|---|------|------|------|--------|
| Rated Power | T _A = -40°C to 85°C | | | 1.0 | W |
| Voltage Set Point Accuracy | See tolerance envelope | | | | |
| Line regulation | High V _{IN} to low V _{IN} | | 1.0 | 1.2 | %/% |
| Load Regulation ¹ | 10% load to rated load, 0303MC & 0503MC | | 10 | 15 | % |
| | 10% load to rated load, 5V output types | | 10 | 12 | |
| | 10% load to rated load, 0309MC | | 9.0 | 10 | |
| | 10% load to rated load, 0509MC & 1209MC | | 6.5 | 8.0 | |
| | 10% load to rated load, 0312MC & 0315MC | | 11 | 14 | |
| | 10% load to rated load, 0512MC & 1212MC | | 6.0 | 8.5 | |
| Ripple and Noise | BW=DC to 20MHz, 3.3V output types, NTA0305MC & NTA0505MEC | | 40 | 80 | mV p-p |
| | BW=DC to 20MHz, all other 5V output types | | 50 | 100 | |
| | BW=DC to 20MHz, 9V output types | | 35 | 80 | |
| | BW=DC to 20MHz, 12V output types | | 50 | 110 | |
| | BW=DC to 20MHz, 15V output types | | 65 | 110 | |

1. If components are required in tape and reel format suffix order code with -R, e.g. NTA0505MC-R.

2. Calculated using MIL-HDBK-217F with nominal input voltage at full load.

3. 12V input types have typically 3% less load regulation change.

All specifications typical at T_A=25°C, nominal input voltage and rated output current unless otherwise specified.

ISOLATION CHARACTERISTICS

| Parameter | Conditions | Min. | Typ. | Max. | Units |
|-------------------|---------------------------|------|------|------|-------|
| Isolation voltage | Flash tested for 1 second | 1000 | | | VDC |
| Resistance | Viso= 1000VDC | 10 | | | GΩ |

GENERAL CHARACTERISTICS

| Parameter | Conditions | Min. | Typ. | Max. | Units |
|---------------------|---------------------------------|------|------|------|-------|
| Switching frequency | 0312MC, 0315MC | | 100 | | kHz |
| | 0303MC, 0305MC, 0503MC, 0505MEC | | 110 | | |
| | All other variants | | 115 | | |

TEMPERATURE CHARACTERISTICS

| Parameter | Conditions | Min. | Typ. | Max. | Units |
|-------------------------------------|---------------------------------|------|------|------|-------|
| Specification | All output types | -40 | | 85 | °C |
| Storage | | -55 | | 125 | |
| Case temperature rise above ambient | 0305MC, 0505MEC, 0312MC, 0315MC | | 19 | | |
| | 0303MC, 0309MC, 0503MC | | 25 | | |
| | 0505MC, 1205MC | | 46 | | |
| | All other variants | | 35 | | |
| Cooling | Free air convection | | | | |

ABSOLUTE MAXIMUM RATINGS

| | |
|--------------------------------------|-------|
| Internal power dissipation | 700mW |
| Input voltage V_{IN} , NTA03 types | 5.5V |
| Input voltage V_{IN} , NTA05 types | 7V |
| Input voltage V_{IN} , NTA12 types | 15V |

TECHNICAL NOTES

ISOLATION VOLTAGE

'Hi Pot Test', 'Flash Tested', 'Withstand Voltage', 'Proof Voltage', 'Dielectric Withstand Voltage' & 'Isolation Test Voltage' are all terms that relate to the same thing, a test voltage, applied for a specified time, across a component designed to provide electrical isolation, to verify the integrity of that isolation.

Murata Power Solutions NTA series of DC-DC converters are all 100% production tested at their stated isolation voltage. This is 1kVDC for 1 second.

A question commonly asked is, "What is the continuous voltage that can be applied across the part in normal operation?"

For a part holding no specific agency approvals, such as the NTA series, both input and output should normally be maintained within SELV limits i.e. less than 42.4V peak, or 60VDC. The isolation test voltage represents a measure of immunity to transient voltages and the part should never be used as an element of a safety isolation system. The part could be expected to function correctly with several hundred volts offset applied continuously across the isolation barrier; but then the circuitry on both sides of the barrier must be regarded as operating at an unsafe voltage and further isolation/insulation systems must form a barrier between these circuits and any user-accessible circuitry according to safety standard requirements.

REPEATED HIGH-VOLTAGE ISOLATION TESTING

It is well known that repeated high-voltage isolation testing of a barrier component can actually degrade isolation capability, to a lesser or greater degree depending on materials, construction and environment. The NTA series has toroidal isolation transformers, with no additional insulation between primary and secondary windings of enamelled wire. While parts can be expected to withstand several times the stated test voltage, the isolation capability does depend on the wire insulation. Any material, including this enamel (typically polyurethane) is susceptible to eventual chemical degradation when subject to very high applied voltages thus implying that the number of tests should be strictly limited. We therefore strongly advise against repeated high voltage isolation testing, but if it is absolutely required, that the voltage be reduced by 20% from specified test voltage.

This consideration equally applies to agency recognised parts rated for better than functional isolation where the wire enamel insulation is always supplemented by a further insulation system of physical spacing or barriers.

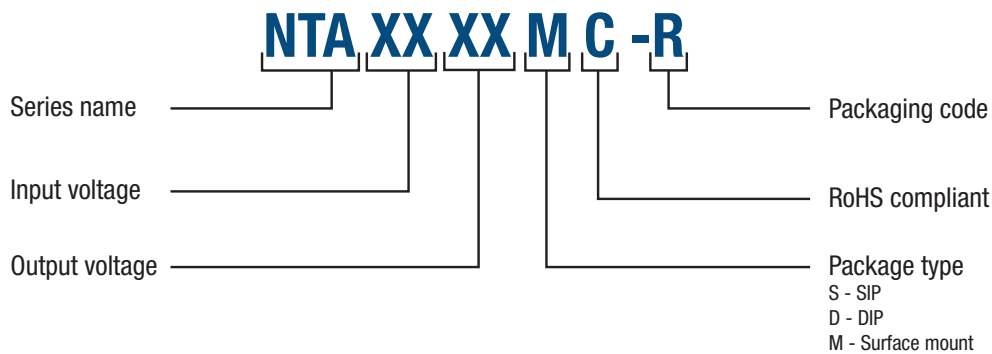
RoHS COMPLIANCE, MSL AND PSL INFORMATION



This series is compatible with RoHS soldering systems and is also backward compatible with Sn/Pb soldering systems. The NTA series has a process, moisture, and reflow sensitivity classification of MSL1 PSL R7F as defined in J-STD-020 and J-STD-075. Please refer to [application notes](#) for further information. This translates to: MSL1 = unlimited floor life, PSL R7F = Peak reflow temperature 245°C with a limitation on the time above liquidus (217°C) which for this series is 60sec max. The pin termination finish on this product series is Gold with a plating thickness of 0.05 microns minimum.

For further information please visit www.murata-ps.com/rohs

PART NUMBER STRUCTURE



CHARACTERISATION TEST METHODS

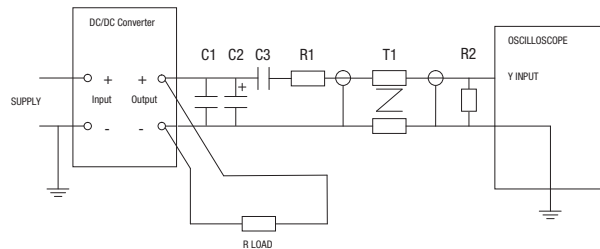
Ripple & Noise Characterisation Method

Ripple and noise measurements are performed with the following test configuration.

| | |
|-------|--|
| C1 | 1µF X7R multilayer ceramic capacitor, voltage rating to be a minimum of 3 times the output voltage of the DC-DC converter |
| C2 | 10µF tantalum capacitor, voltage rating to be a minimum of 1.5 times the output voltage of the DC-DC converter with an ESR of less than 100mΩ at 100 kHz |
| C3 | 100nF multilayer ceramic capacitor, general purpose |
| R1 | 450Ω resistor, carbon film, ±1% tolerance |
| R2 | 50Ω BNC termination |
| T1 | 3T of the coax cable through a ferrite toroid |
| RLOAD | Resistive load to the maximum power rating of the DC-DC converter. Connections should be made via twisted wires |

Measured values are multiplied by 10 to obtain the specified values.

Differential Mode Noise Test Schematic



APPLICATION NOTES

Minimum load

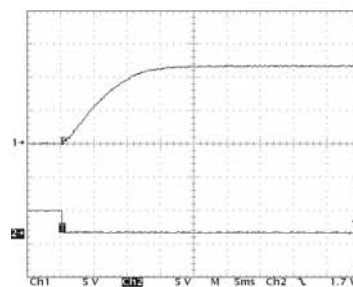
The minimum load to meet datasheet specification is 10% of the full rated load across the specified input voltage range. Lower than 10% minimum loading will result in an increase in output voltage, which may rise to typically double the specified output voltage if the output load falls to less than 5%.

Capacitive loading and start up

Typical start up times for this series, with a typical input voltage rise time of 2.2µs and output capacitance of 10µF, are shown in the table below. The product series will start into a capacitance of 47µF with an increased start time, however, the maximum recommended output capacitance is 10µF.

| | Start-up time µs | | Start-up time µs |
|------------|---------------------|-----------|---------------------|
| NTA0303MC | 1630 | NTA0509MC | 6850 |
| NTA0305MC | 1359 | NTA0512MC | 11560 |
| NTA0309MC | 3435 | NTA0515MC | 15640 |
| NTA0312MC | 6590 | NTA1205MC | 1154 |
| NTA0315MC | 25340 | NTA1209MC | 4050 |
| NTA0503MC | 1599 | NTA1212MC | 7995 |
| NTA0505MC | 2185 | NTA1215MC | 11200 |
| NTA0505MEC | 1395 | | |

Typical Start-Up Wave Form



APPLICATION NOTES (Continued)

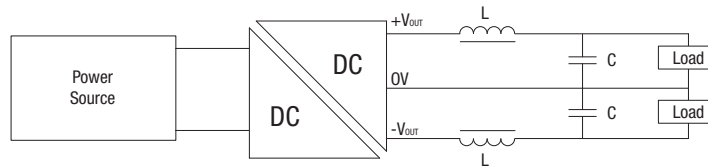
Output Ripple Reduction

By using the values of inductance and capacitance stated, the output ripple at the rated load is lowered to 5mV p-p max.

Component selection

Capacitor: It is required that the ESR (Equivalent Series Resistance) should be as low as possible, ceramic types are recommended. The voltage rating should be at least twice (except for 15V output), the rated output voltage of the DC-DC converter.

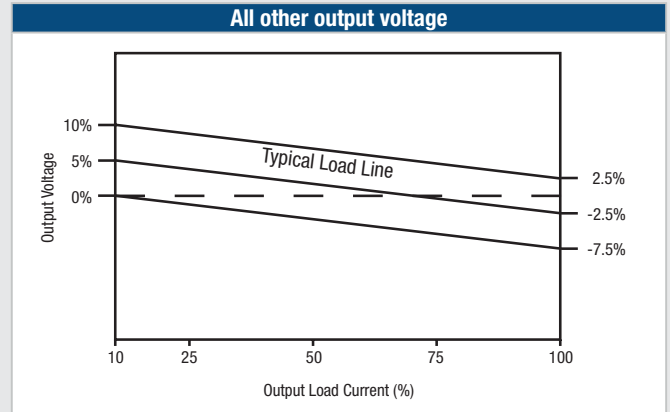
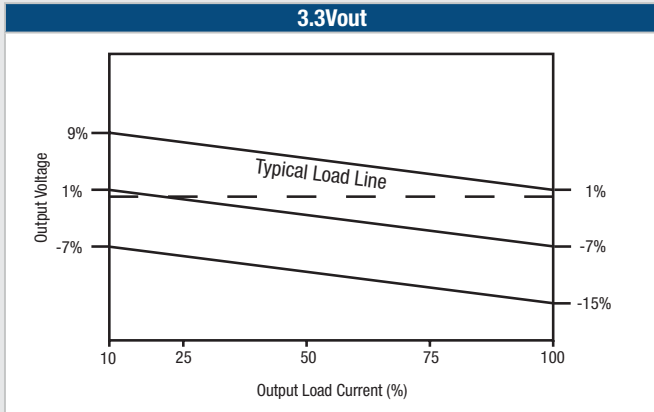
Inductor: The rated current of the inductor should not be less than that of the output of the DC-DC converter. At the rated current, the DC resistance of the inductor should be such that the voltage drop across the inductor is <2% of the rated voltage of the DC-DC converter. The SRF (Self Resonant Frequency) should be >20MHz.



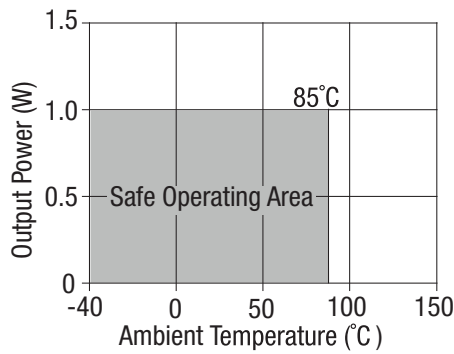
| | Inductor | | | Capacitor |
|------------|------------|--------|--------------|------------|
| | L, μ H | SMD | Through Hole | C, μ F |
| NTA0303MC | 10 | 82103C | 11R103C | 4.7 |
| NTA0305MC | 22 | 82223C | 11R223C | 2.2 |
| NTA0309MC | 22 | 82223C | 11R223C | 2.2 |
| NTA0312MC | 22 | 82223C | 11R223C | 1 |
| NTA0315MC | 22 | 82223C | 11R223C | 1 |
| NTA0503MC | 10 | 82103C | 11R103C | 4.7 |
| NTA0505MC | 10 | 82103C | 11R103C | 4.7 |
| NTA0505MEC | 10 | 82103C | 11R103C | 4.7 |
| NTA0509MC | 22 | 82223C | 11R223C | 2.2 |
| NTA0512MC | 22 | 82223C | 11R223C | 1 |
| NTA0515MC | 22 | 82223C | 11R223C | 1 |
| NTA1205MC | 10 | 82103C | 11R103C | 4.7 |
| NTA1209MC | 22 | 82223C | 11R223C | 2.2 |
| NTA1212MC | 22 | 82223C | 11R223C | 1 |
| NTA1215MC | 22 | 82223C | 11R223C | 1 |

TOLERANCE ENVELOPES

The voltage tolerance envelope shows typical load regulation characteristics for this product series. The tolerance envelope is the maximum output voltage variation due to changes in output loading.

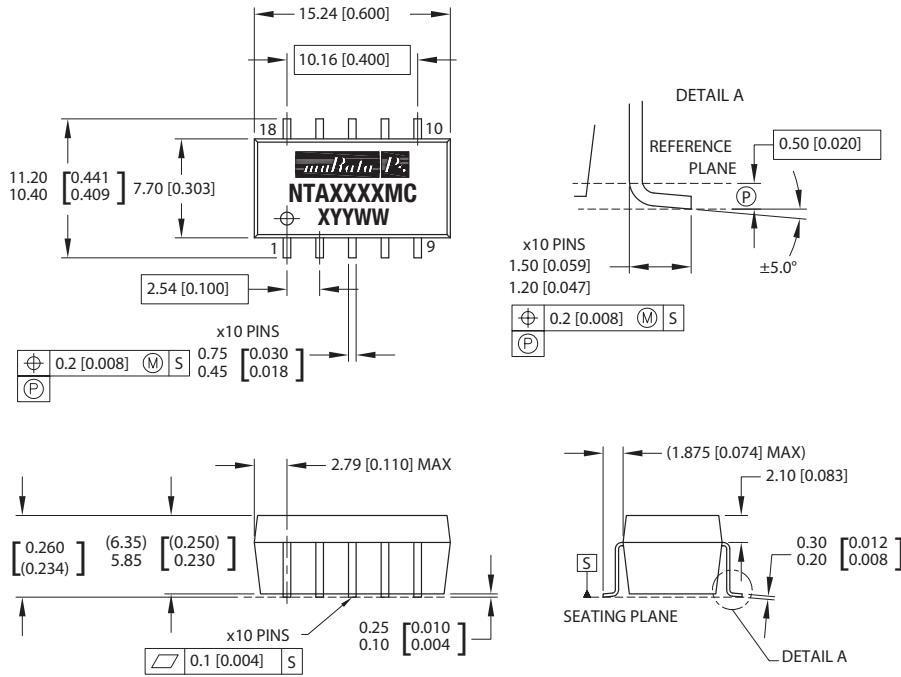


TEMPERATURE DERATING GRAPH



PACKAGE SPECIFICATIONS

MECHANICAL DIMENSIONS



All dimensions in mm (inches). Controlling dimension is mm.
Tolerances (unless otherwise stated) ±0.25 (0.010).

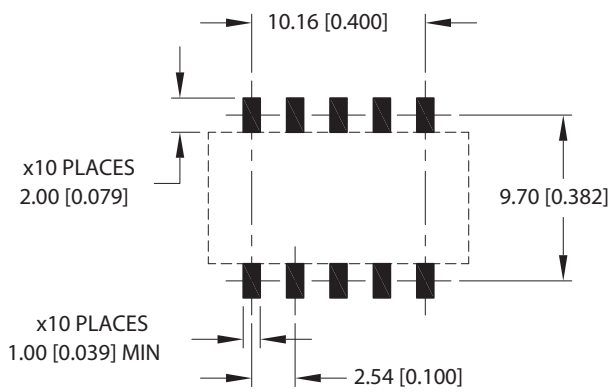
Weight: 1.53g

PIN CONNECTIONS

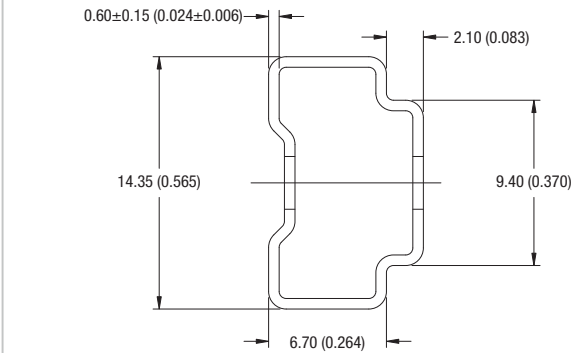
| Pin | Function |
|-----|-------------------|
| 1 | -V _{IN} |
| 3 | +V _{IN} |
| 5 | NA |
| 7 | OV |
| 9 | -V _{OUT} |
| 10 | NA |
| 12 | +V _{OUT} |
| 14 | NA |
| 16 | NA |
| 18 | NA |

NA - Not available for electrical connection.

RECOMMENDED FOOTPRINT DETAILS



TUBE OUTLINE DIMENSIONS

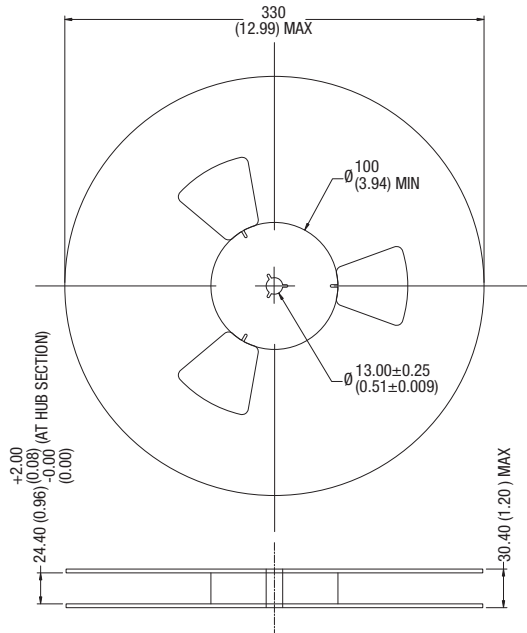


Unless otherwise stated all dimensions in mm±0.5 (inches ±0.02).
Tube length : 475±2.0 (18.70±0.07).

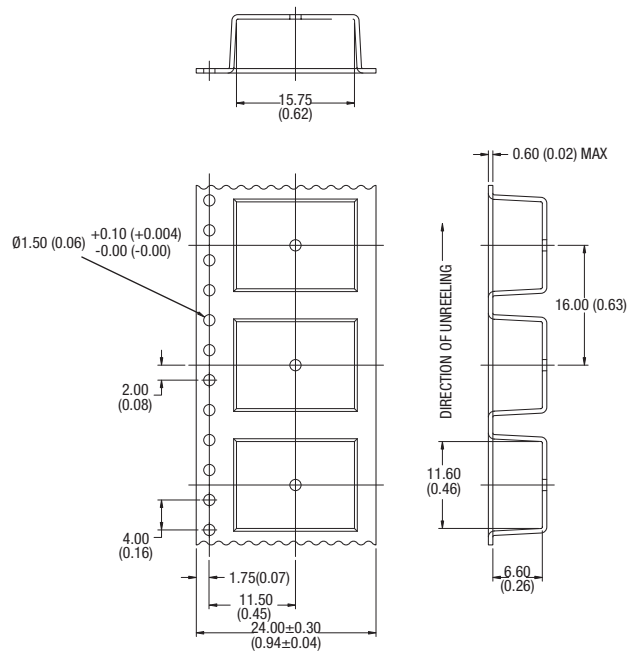
Tube Quantity : 25

TAPE & REEL SPECIFICATIONS

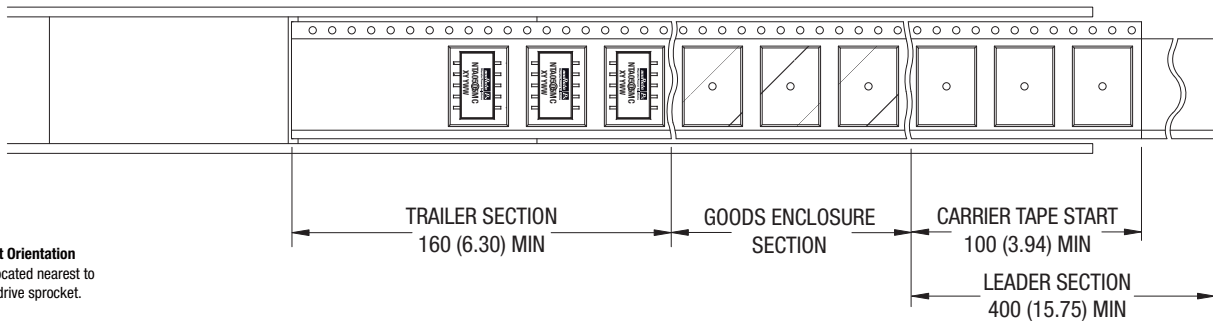
REEL OUTLINE DIMENSIONS



TAPE OUTLINE DIMENSIONS



REEL PACKAGING DETAILS



Product Orientation
Pin 1, located nearest to carrier drive sprocket.

Reel Quantity : 500

DISCLAIMER

Unless otherwise stated in the datasheet, all products are designed for standard commercial and industrial applications and NOT for safety-critical and/or life-critical applications.

Particularly for safety-critical and/or life-critical applications, i.e. applications that may directly endanger or cause the loss of life, inflict bodily harm and/or loss or severe damage to equipment/property, and severely harm the environment, a prior explicit written approval from Murata is strictly required. Any use of Murata standard products for any safety-critical, life-critical or any related applications without any prior explicit written approval from Murata shall be deemed unauthorised use.

These applications include but are not limited to:

- Aircraft equipment
- Aerospace equipment
- Undersea equipment
- Power plant control equipment
- Medical equipment
- Transportation equipment (automobiles, trains, ships, etc.)
- Traffic signal equipment
- Disaster prevention / crime prevention equipment
- Data Processing equipment

Murata makes no express or implied warranty, representation, or guarantee of suitability, fitness for any particular use/purpose and/or compatibility with any application or device of the buyer, nor does Murata assume any liability whatsoever arising out of unauthorised use of any Murata product for the application of the buyer. The suitability, fitness for any particular use/purpose and/or compatibility of Murata product with any application or device of the buyer remain to be the responsibility and liability of the buyer.

Buyer represents and agrees that it has all the necessary expertise to create and implement safeguards that anticipate dangerous consequences of failures, monitor failures and their consequences, lessen the likelihood of failures that might cause harm, and take appropriate remedial actions. Buyer will fully indemnify and hold Murata, its affiliated companies, and its representatives harmless against any damages arising out of unauthorised use of any Murata products in any safety-critical and/or life-critical applications.

Remark: Murata in this section refers to Murata Manufacturing Company and its affiliated companies worldwide including, but not limited to, Murata Power Solutions.



This product is subject to the following [operating requirements](#) and the [Life and Safety Critical Application Sales Policy](#):

Refer to: <https://www.murata.com/en-eu/products/power/requirements>

Murata Power Solutions (Milton Keynes) Ltd. makes no representation that the use of its products in the circuits described herein, or the use of other technical information contained herein, will not infringe upon existing or future patent rights. The descriptions contained herein do not imply the granting of licenses to make, use, or sell equipment constructed in accordance therewith. Specifications are subject to change without notice.
© 2020 Murata Power Solutions (Milton Keynes) Ltd.