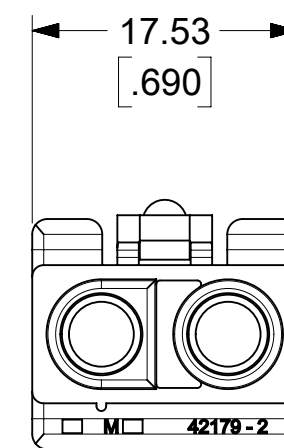


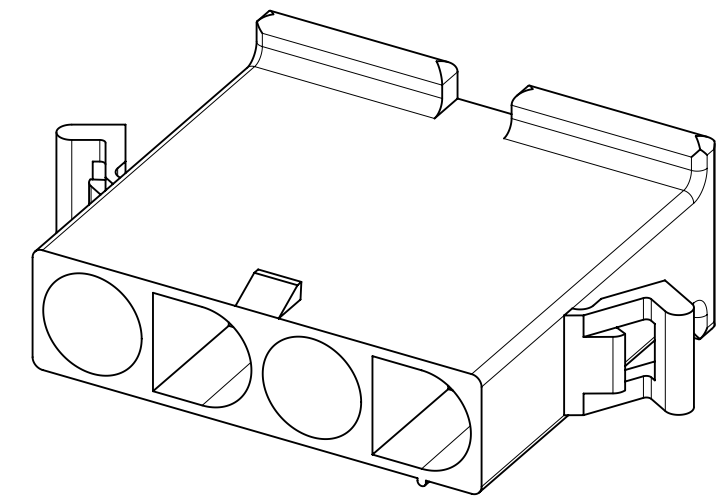
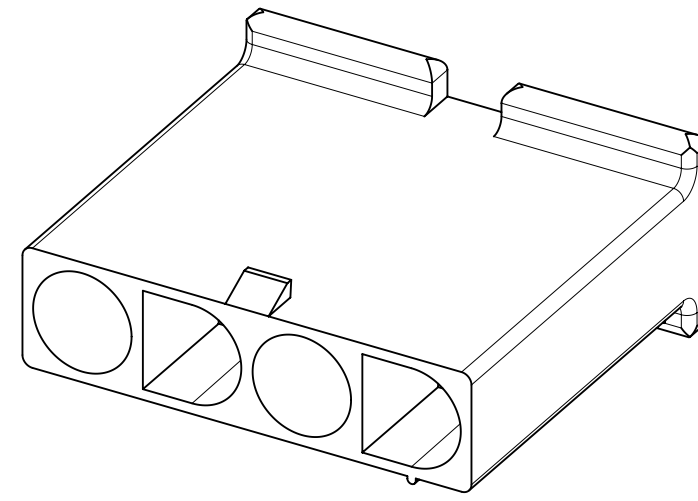
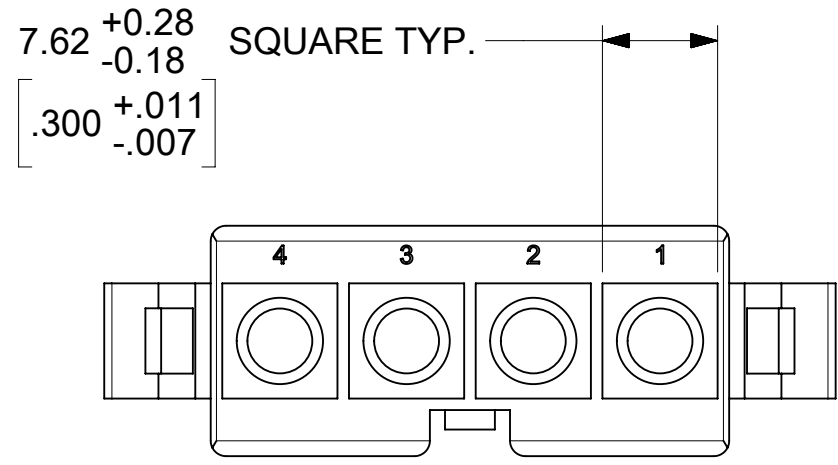
3 CIRCUIT RECEPTACLE



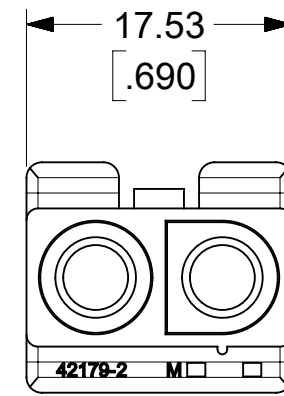
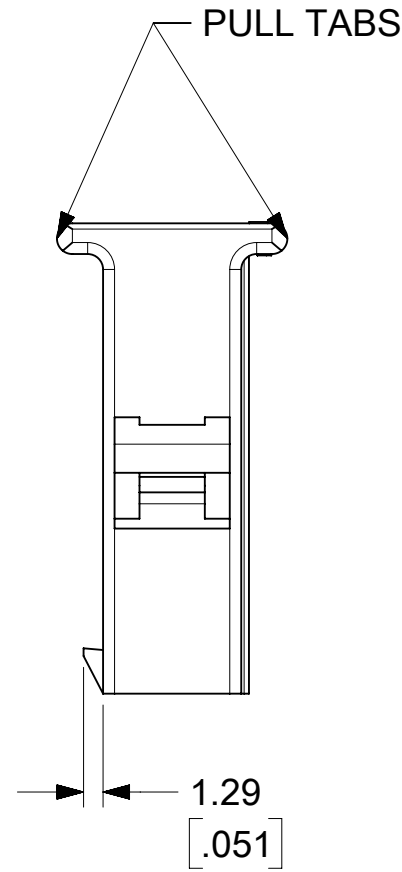
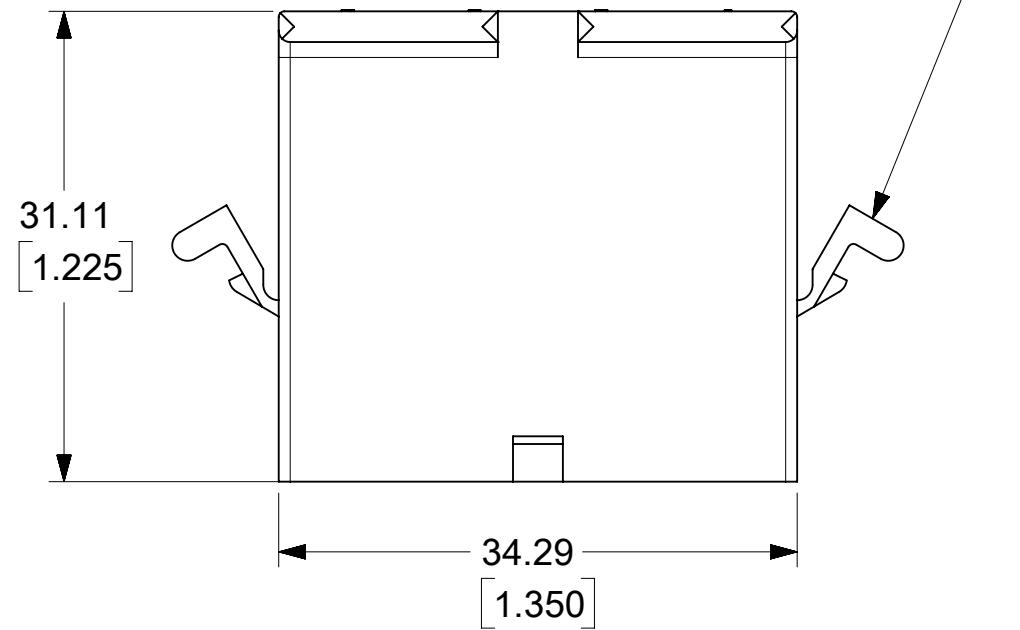
2 CIRCUIT RECEPTACLE

# RECEPTACLES

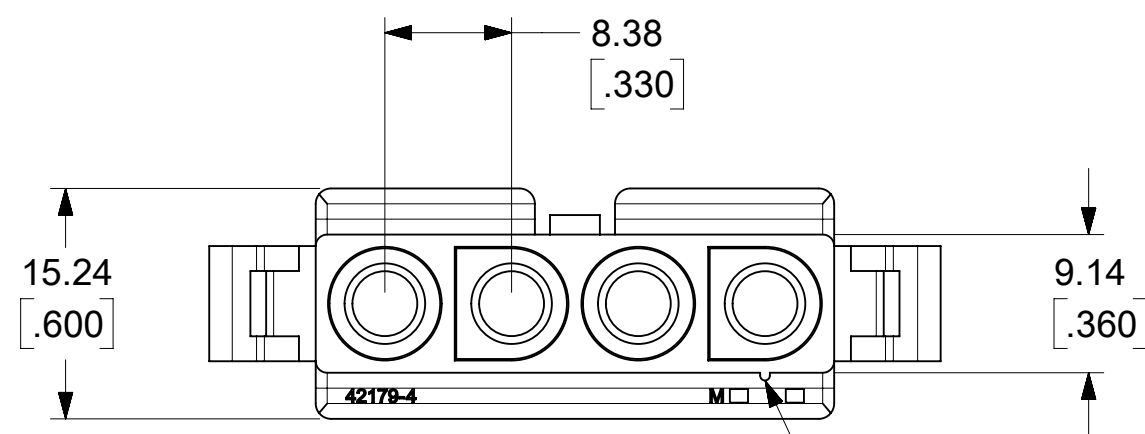
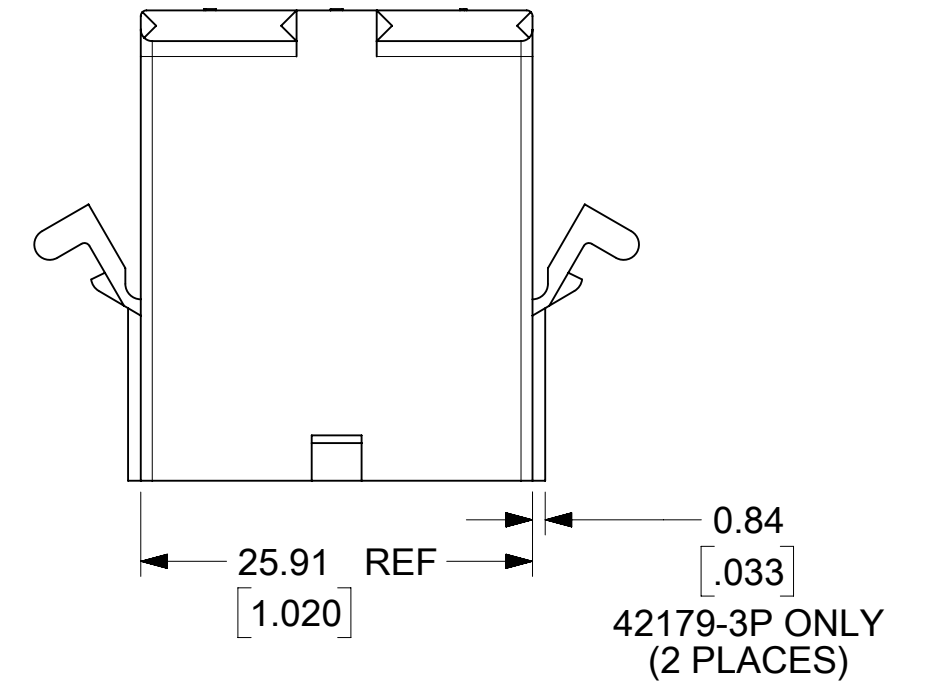
THIS DRAWING CONTAINS INFORMATION THAT IS PROPRIETARY TO MOLEX ELECTRONIC TECHNOLOGIES, LLC AND SHOULD NOT BE USED WITHOUT WRITTEN PERMISSION											
CORRECT 7.62 TOL	2017/10/17	2017/10/18	2017/10/23	GENERAL TOLERANCES (UNLESS SPECIFIED)		DIMENSION UNITS	SCALE	 .125/(3.17) PLUG AND RECEPTACLE HOUSINGS PRODUCT CUSTOMER DRAWING			
	2017/10/17	2017/10/18	2017/10/23	MM	INCH	MM/INCH	2:1				
	4 PLACES	±	±	DRWN BY	DATE	MKIPPER	2017/03/15				
	3 PLACES	±	± 0.007	CHK'D BY	DATE	JBELL	2017/03/17				
	2 PLACES	± 0.18	± 0.01	APPR BY	DATE	FSMITH	2017/03/20				
1 PLACES	± 0.25	±	ANGULAR TOL ±		DRAWING SIZE	THIRD ANGLE PROJECTION	SERIES				
0 PLACES	±	±	DRAFT WHERE APPLICABLE MUST REMAIN WITHIN DIMENSIONS		C		42179	MATERIAL NUMBER	CUSTOMER		
EC NO: 123491	DRWN: AZAHROVIC	CHKD: MKIPPER	REV / APPR: FSMITH					SEE CHART	GENERAL MARKET		
A1	RELEASE STATUS	P1	RELEASE DATE	23.10.2017	22:36:25	DOCUMENT NUMBER		421790000-SD	DOC TYPE	DOC PART	SHEET NUMBER
								PSD	000	1 OF 3	



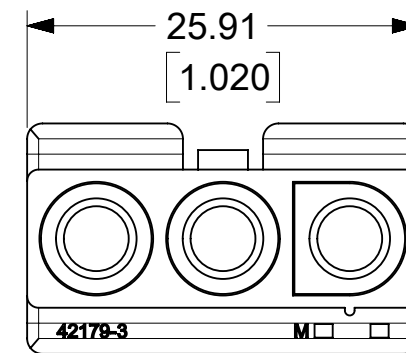
OPTIONAL MOUNTING EARS



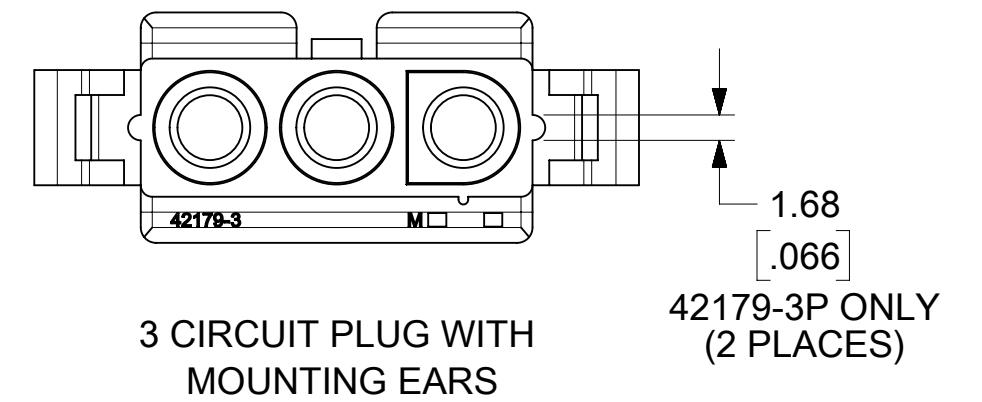
2 CIRCUIT PLUG



RIB TO IDENTIFY CIRCUIT 1



3 CIRCUIT PLUG



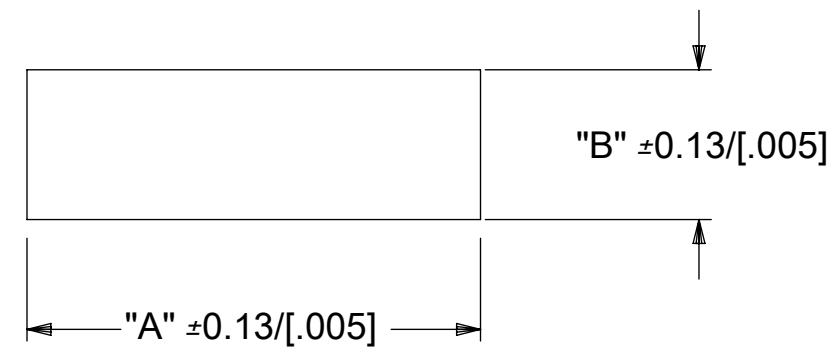
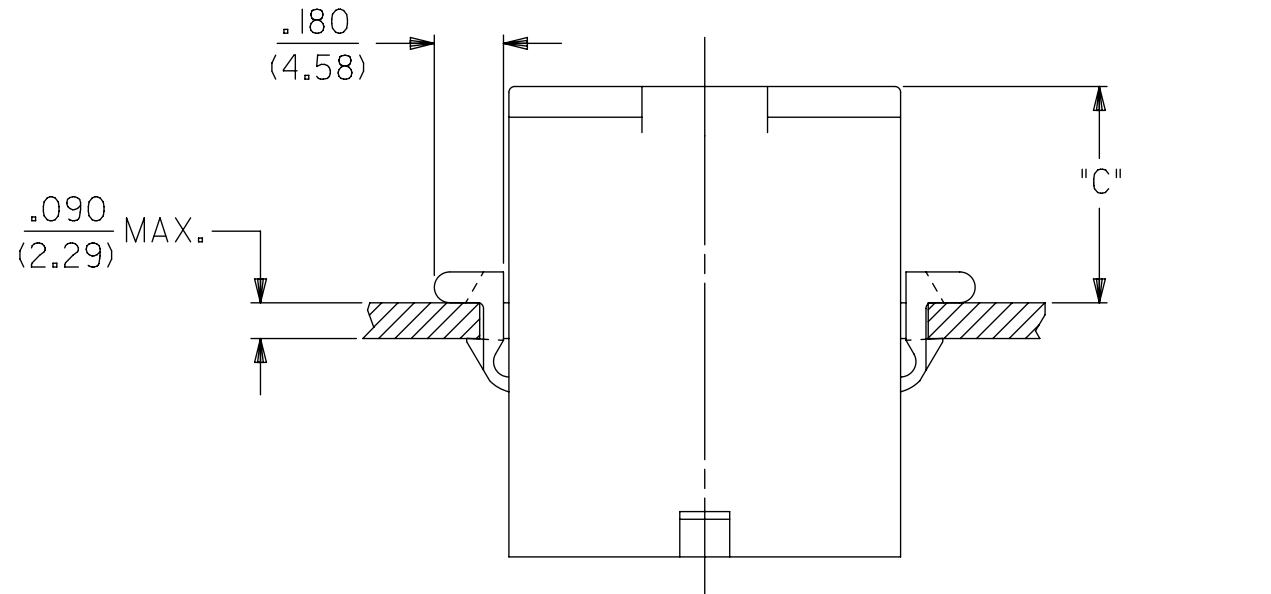
3 CIRCUIT PLUG WITH MOUNTING EARS

PLUGS

THIS DRAWING CONTAINS INFORMATION THAT IS PROPRIETARY TO MOLEX ELECTRONIC TECHNOLOGIES, LLC AND SHOULD NOT BE USED WITHOUT WRITTEN PERMISSION									
CORRECT 7.62 TOL	EC NO: 123491 DRWN: AZAHOVIC CHKD: MKIPPER REV / APPR: FSMITH	GENERAL TOLERANCES (UNLESS SPECIFIED)		DIMENSION UNITS	SCALE	 .125/(3.17) PLUG AND RECEPTACLE HOUSINGS PRODUCT CUSTOMER DRAWING SERIES: 42179 MATERIAL NUMBER: SEE CHART CUSTOMER: GENERAL MARKET DOCUMENT NUMBER: 421790000-SD DOC TYPE: PSD DOC PART: 000 SHEET NUMBER: 2 OF 3			
				MM/INCH	2:1				
		4 PLACES	±	±	DRWN BY: MKIPPER DATE: 2017/03/15				
		3 PLACES	±	± 0.007	CHK'D BY: JBELL DATE: 2017/03/17				
		2 PLACES	± 0.18	± 0.01	APPR BY: FSMITH DATE: 2017/03/20				
1 PLACES	± 0.25	±	DRAWING SIZE: C THIRD ANGLE PROJECTION						
0 PLACES	±	±							
ANGULAR TOL ±		DRAFT WHERE APPLICABLE MUST REMAIN WITHIN DIMENSIONS							

PLUGS			
CIRCUITS	PART NO.	ENG. NO.	EARS
2	03-12-2026	42179-2P1	NO
2	03-12-2025	42179-2P	YES
3	03-12-2036	42179-3P1	NO
3	03-12-2035	42179-3P	YES
4	03-12-2046	42179-4P1	NO
4	03-12-2045	42179-4P	YES

RECEPTACLES		
CIRCUITS	PART NO.	ENG. NO.
2	03-12-1026	42179-2R1
3	03-12-1036	42179-3R1
4	03-12-1046	42179-4R1



RECOMMENDED HOLE CUTOUT

CIRCUITS	PLUG PART NO.	DIM. "A"	DIM. "B"	DIM. "C"
2	03-12-2025	21.62 / [.851]	11.18 / [.440]	14.5 / [.57]
3	03-12-2035	30.00 / [1.181]		
4	03-12-2045	38.38 / [1.511]		

NOTES:

1. MATERIAL: NYLON (PA6/6), UL94V-2, COLOR-NATURAL (TRANSLUCENT)
2. FINISH: NONE
3. PRODUCT SPECIFICATION: PSX-42179
4. PACKAGING SPECIFICATION: PK-42179-001
5. PART ACCEPTS A MAXIMUM .250/(6.35) INSULATION DIAMETER WIRE.
6. FOR USE WITH ALL MOLEX .125/(3.17) DIAMETER SERIES TERMINALS EXCEPT THE 1219/1220 SERIES.
7. PARTS CONFORM TO CLASS B REQUIREMENTS OF COSMETIC SPECIFICATION PS-45499-002.
8. THIS DRAWING REPLACES SD-42179-2\*, SD-42179-3\*, AND SD-42179-4\*.

THIS DRAWING CONTAINS INFORMATION THAT IS PROPRIETARY TO MOLEX ELECTRONIC TECHNOLOGIES, LLC AND SHOULD NOT BE USED WITHOUT WRITTEN PERMISSION										
CORRECT 7.62 TOL	EC NO: 123491 DRWN: AZAHROVIC CHKD: MKIPPER REV / APPR: FSMITH	GENERAL TOLERANCES (UNLESS SPECIFIED)		DIMENSION UNITS	SCALE	 .125/(3.17) PLUG AND RECEPTACLE HOUSINGS  PRODUCT CUSTOMER DRAWING SERIES: 42179 MATERIAL NUMBER: SEE CHART CUSTOMER: GENERAL MARKET DOCUMENT NUMBER: 421790000-SD DOC TYPE: PSD DOC PART: 000 SHEET NUMBER: 3 OF 3				
				MM/INCH	2:1					
		4 PLACES	±	±	DRWN BY					DATE
		3 PLACES	±	± 0.007	CHK'D BY					DATE
		2 PLACES	± 0.18	± 0.01	APPR BY					DATE
1 PLACES	± 0.25	±	FSMITH	2017/03/20						
0 PLACES	±	±	DRAWING SIZE		THIRD ANGLE PROJECTION					
ANGULAR TOL ±				C						
DRAFT WHERE APPLICABLE MUST REMAIN WITHIN DIMENSIONS										