

SACC-DSI-MS-5CON-L180 SCO - Device connector, rear mounting



1542745

<https://www.phoenixcontact.com/us/products/1542745>

Please be informed that the data shown in this PDF document is generated from our online catalog. Please find the complete data in the user documentation. Our general terms of use for downloads are valid.



Device connector, rear mounting, 5-position, Pin, straight, M12-SPEEDCON, coding: A, Rear mounting, Pg9, Solder pins, Alternative product in accordance with RoHS II without Exemption 6c (Pb <0.1%) item no.: 1239960

Your advantages

- Easy PCB assembly: one-piece connectors for wave soldering
- All standard pin assignments and codings for signal, data, and power transmission with a uniform design-in design
- SPEEDCON fast locking system reduces cabling times

Commercial data

Item number	1542745
Packing unit	1 pc
Minimum order quantity	20 pc
Sales key	AB23
Product key	ABQEGL
Catalog page	Page 188 (C-2-2013)
GTIN	4046356097758
Weight per piece (including packing)	13.695 g
Weight per piece (excluding packing)	13.305 g
Customs tariff number	85366990
Country of origin	DE

SACC-DSI-MS-5CON-L180 SCO - Device connector, rear mounting



1542745

<https://www.phoenixcontact.com/us/products/1542745>

Technical data

Notes

General	The electrical and mechanical data specified assume that the connector pair is correctly locked and mounted. If the connector is unlocked and if there is a danger of contamination, the connector must be sealed using a protective cap > IP54. Influences arising from litz wires, cables or PCB assembly must also be taken into consideration.
General	Lock nut is included in the scope of delivery

Mounting

Mounting type	Rear mounting Pg9 With flat nut
Assembly instructions	With flat nut
Connection method	Solder pins

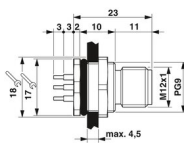
Product properties

Product type	Circular connectors (device side)
Number of positions	5
Shielded	no
Coding	A

Insulation characteristics

Overvoltage category	II
Degree of pollution	3

Dimensions

Dimensional drawing	
Length of the solder pin	6 mm 6 mm

Material specifications

Flammability rating according to UL 94	V0
Seal material	NBR
Contact material	CuZn
Contact surface material	Ni/Au
Contact carrier material	PA 6.6
Material for screw connection	Zinc die-cast, nickel-plated

Electrical properties

SACC-DSI-MS-5CON-L180 SCO - Device connector, rear mounting



1542745

<https://www.phoenixcontact.com/us/products/1542745>

Rated surge voltage	1.5 kV
Contact resistance	≤ 3 mΩ
Insulation resistance	≥ 100 MΩ
Nominal voltage U _N	60 V
Nominal current I _N	4 A

Connection data

Conductor connection

Connection method	Solder pins
Tightening torque	2 Nm
	3 Nm

Mechanical properties

Mechanical data

Insertion/withdrawal cycles	> 100
-----------------------------	-------

Connector

Connection 1

Head design	Pin
Head cable outlet	straight
Head thread type	M12
Head locking type	SPEEDCON
Coding	A

Cable/line

Ambient temperature (operation)	-40 °C ... 85 °C (cable, fixed installation)
	-25 °C ... 85 °C (Cable, flexible installation)

Environmental and real-life conditions

Ambient conditions

Degree of protection	IP67 (When plugged in)
	IP65 (When plugged in)
	IP65/IP67
Ambient temperature (operation)	-25 °C ... 85 °C (Plug / socket)
	-40 °C ... 85 °C (without mechanical actuation)
	-25 °C ... 85 °C (Cable, flexible installation)
	-40 °C ... 85 °C (cable, fixed installation)

Standards and regulations

Standard designation	M12 connector
Standards/specifications	IEC 61076-2-101

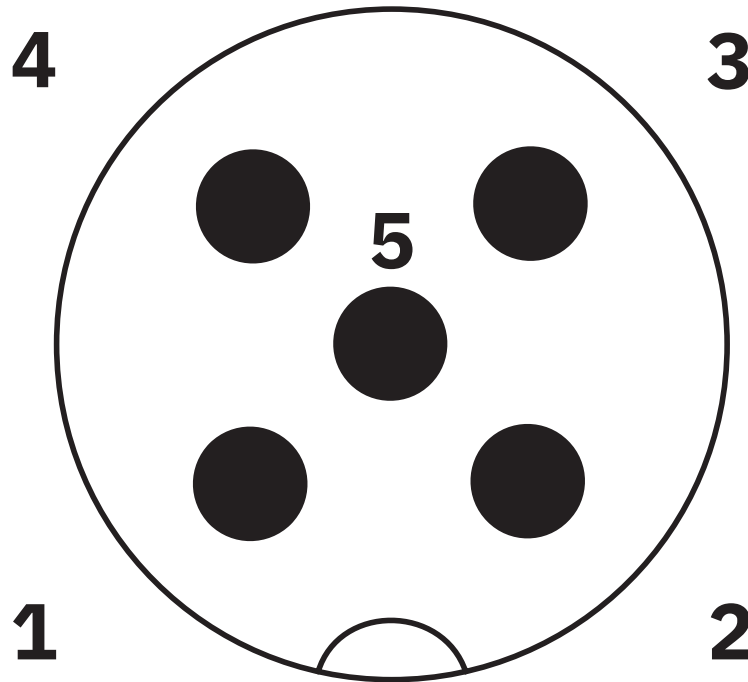
SACC-DSI-MS-5CON-L180 SCO - Device connector, rear mounting

1542745

<https://www.phoenixcontact.com/us/products/1542745>

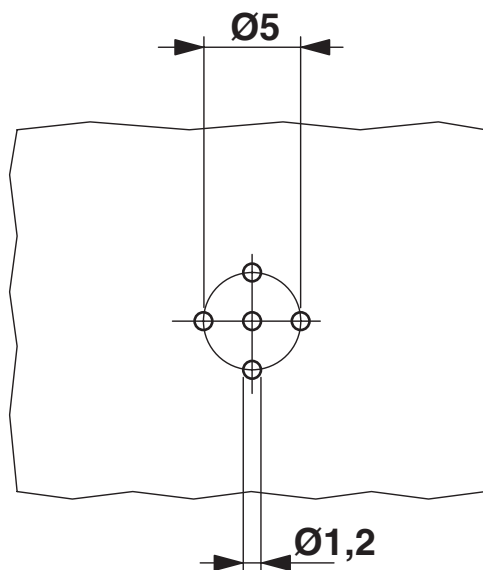
Drawings

Schematic diagram



Pin assignment M12 male connector, 5-pos., A-coded, male side

Drilling plan/solder pad geometry



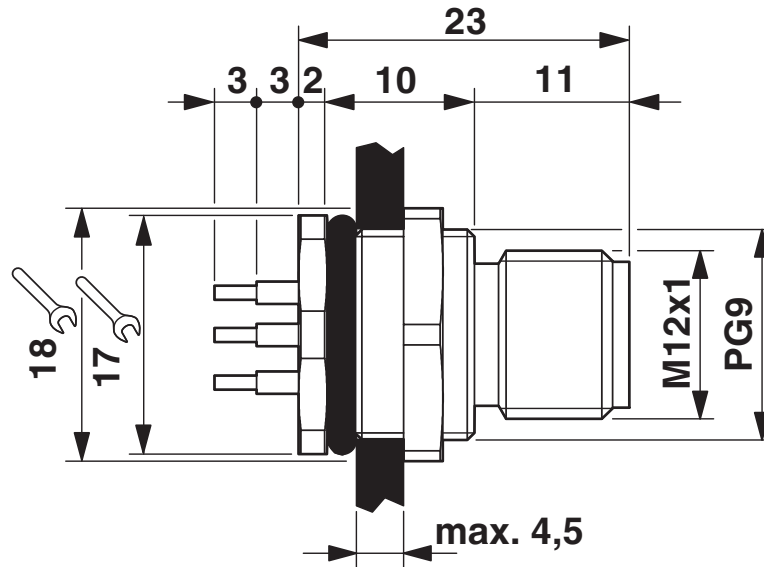
SACC-DSI-MS-5CON-L180 SCO - Device connector, rear mounting



1542745

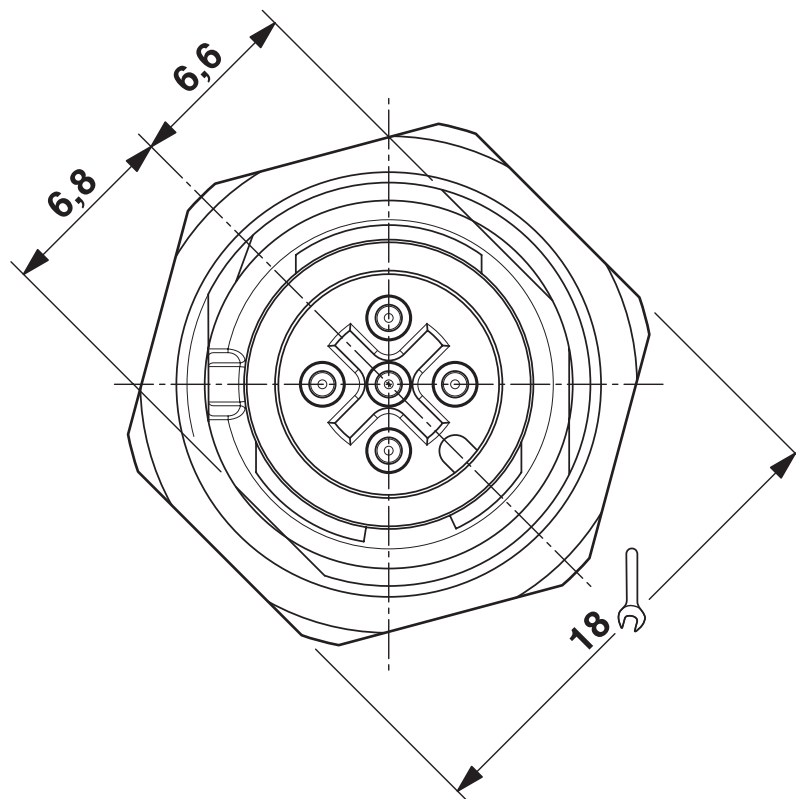
<https://www.phoenixcontact.com/us/products/1542745>

Dimensional drawing



Dimensional drawing

Dimensional drawing



M12 front view

SACC-DSI-MS-5CON-L180 SCO - Device connector, rear mounting



1542745

<https://www.phoenixcontact.com/us/products/1542745>

Approvals

To download certificates, visit the product detail page: <https://www.phoenixcontact.com/us/products/1542745>



EAC

Approval ID: B.01687



cULus Recognized

Approval ID: E221474-20140616

	Nominal voltage U_N	Nominal current I_N	Cross section AWG	Cross section mm^2
	60 V	4 A	22 - 20	-



UL Recognized

Approval ID: E118976-20100522

	Nominal voltage U_N	Nominal current I_N	Cross section AWG	Cross section mm^2
	60 V	4 A	- 22	-

SACC-DSI-MS-5CON-L180 SCO - Device connector, rear mounting



1542745

<https://www.phoenixcontact.com/us/products/1542745>

Classifications

ECLASS

ECLASS-11.0	27440102
ECLASS-12.0	27440116
ECLASS-13.0	27440116

ETIM

ETIM 8.0	EC002635
----------	----------

UNSPSC

UNSPSC 21.0	39121400
-------------	----------

SACC-DSI-MS-5CON-L180 SCO - Device connector, rear mounting



1542745

<https://www.phoenixcontact.com/us/products/1542745>

Environmental product compliance

REACH SVHC	Lead 7439-92-1
China RoHS	Environmentally Friendly Use Period = 50 years
	For information on hazardous substances, refer to the manufacturer's declaration available under "Downloads"

SACC-DSI-MS-5CON-L180 SCO - Device connector, rear mounting



1542745

<https://www.phoenixcontact.com/us/products/1542745>

Accessories

SACC-PG9-SEAL CLM - Flat gasket

1556320

<https://www.phoenixcontact.com/us/products/1556320>

Pg9 flat gasket, for M12 flush-type connectors with Pg9 fastening thread



PROT-M12 FS - Sealing cap

1560251

<https://www.phoenixcontact.com/us/products/1560251>

M12 sealing cap for unoccupied M12 plugs of the sensor/actuator cable, flush-type plugs and I/O devices in the field



SACC-DSI-MS-5CON-L180 SCO - Device connector, rear mounting



1542745

<https://www.phoenixcontact.com/us/products/1542745>

PROT-M12 FS-M - Sealing cap

1430488

<https://www.phoenixcontact.com/us/products/1430488>



M12 metal sealing cap for unoccupied M12 plugs of the sensor/actuator cable,
flush-type plugs and I/O devices in the field

Phoenix Contact 2023 © - all rights reserved
<https://www.phoenixcontact.com>

Phoenix Contact USA
586 Fulling Mill Road
Middletown, PA 17057, United States
(+717) 944-1300
info@phoenixcon.com