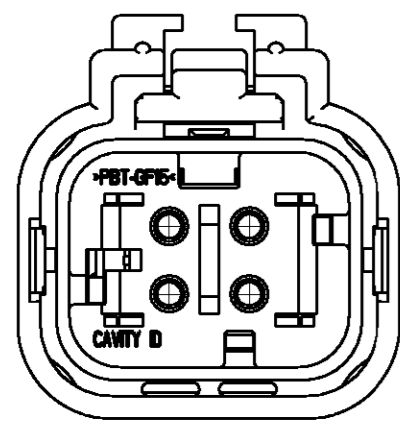
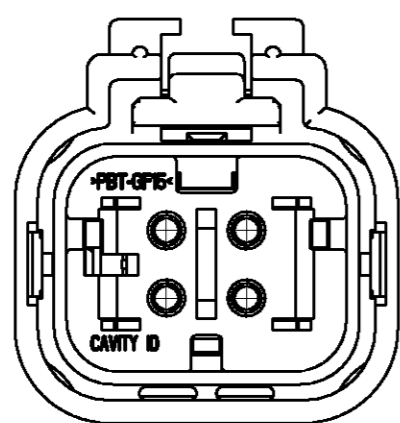


THIS DRAWING IS UNPUBLISHED. RELEASED FOR PUBLICATION 20
 © COPYRIGHT BY ALL RIGHTS RESERVED.

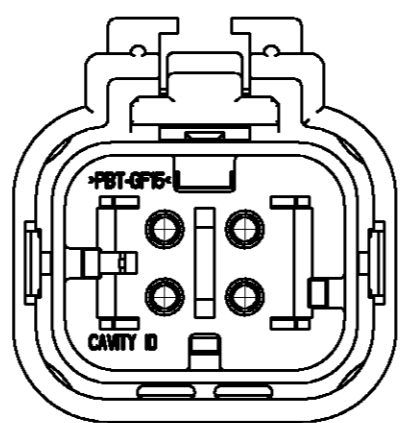
LOC	DIST	REVISIONS			
P	LTR	DESCRIPTION	DATE	DWN	APVD
GE	00				
		D1 REVISED PER ECO-11-005294	30APR11	RK	HMR



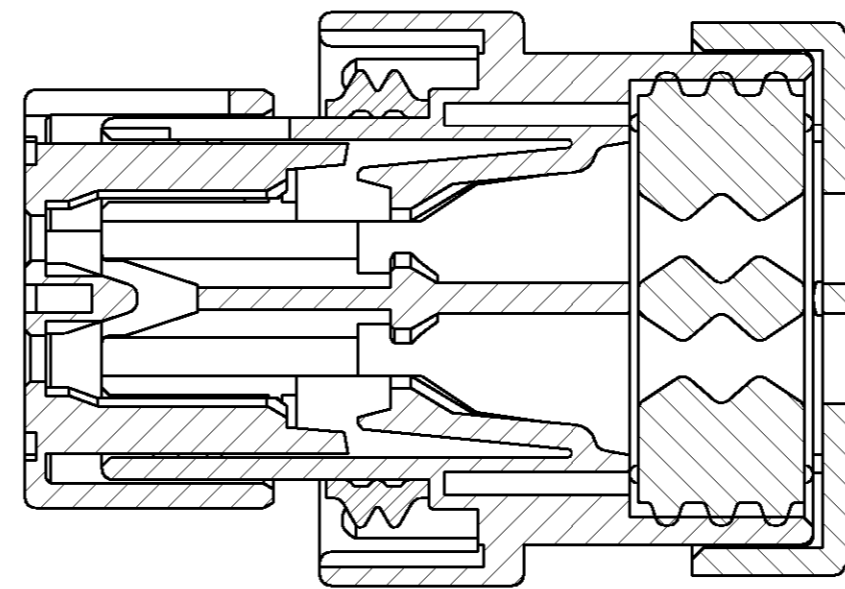
776487-2
SCALE 2:1



776487-3
SCALE 2:1

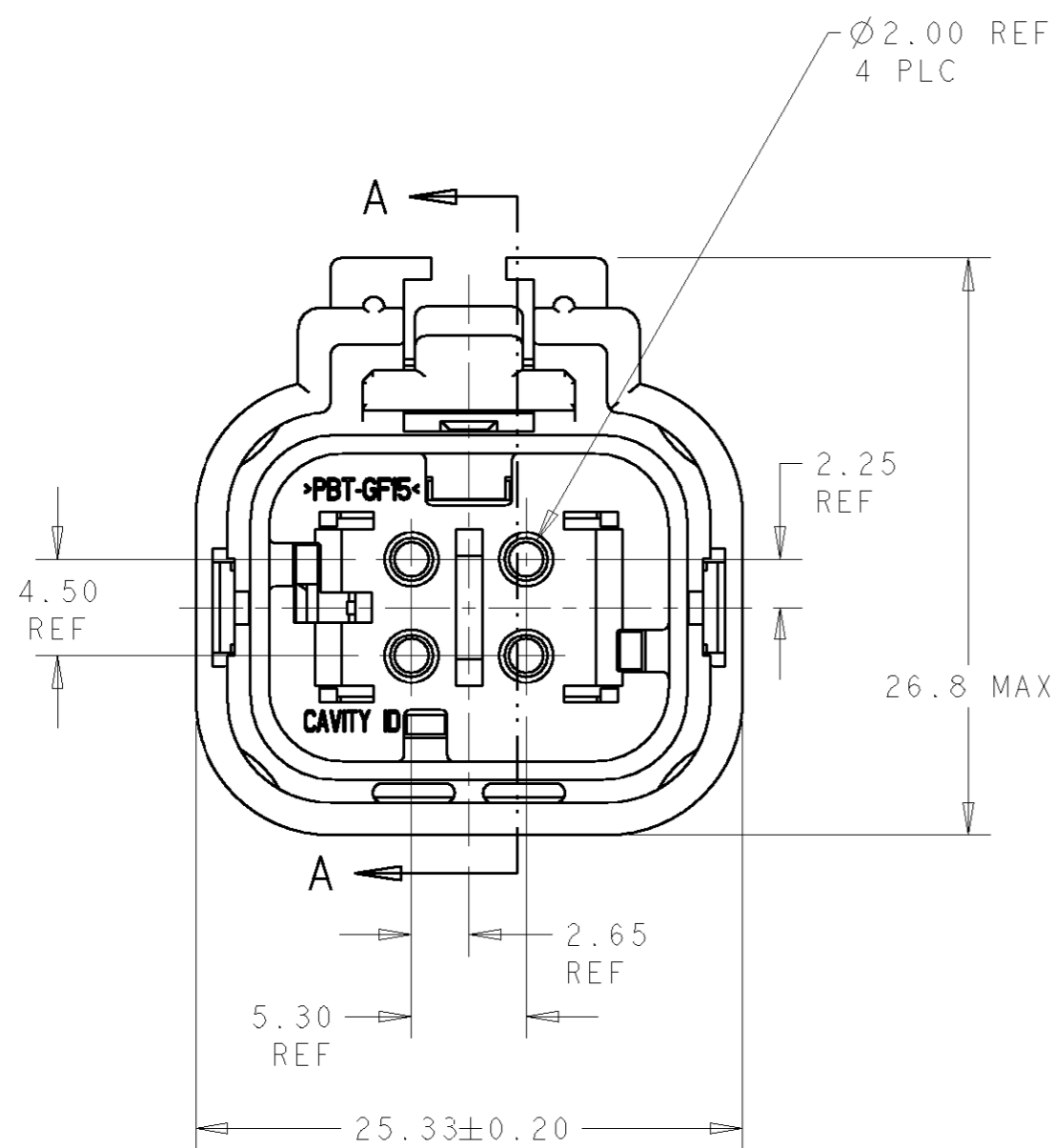


776487-4
SCALE 2:1

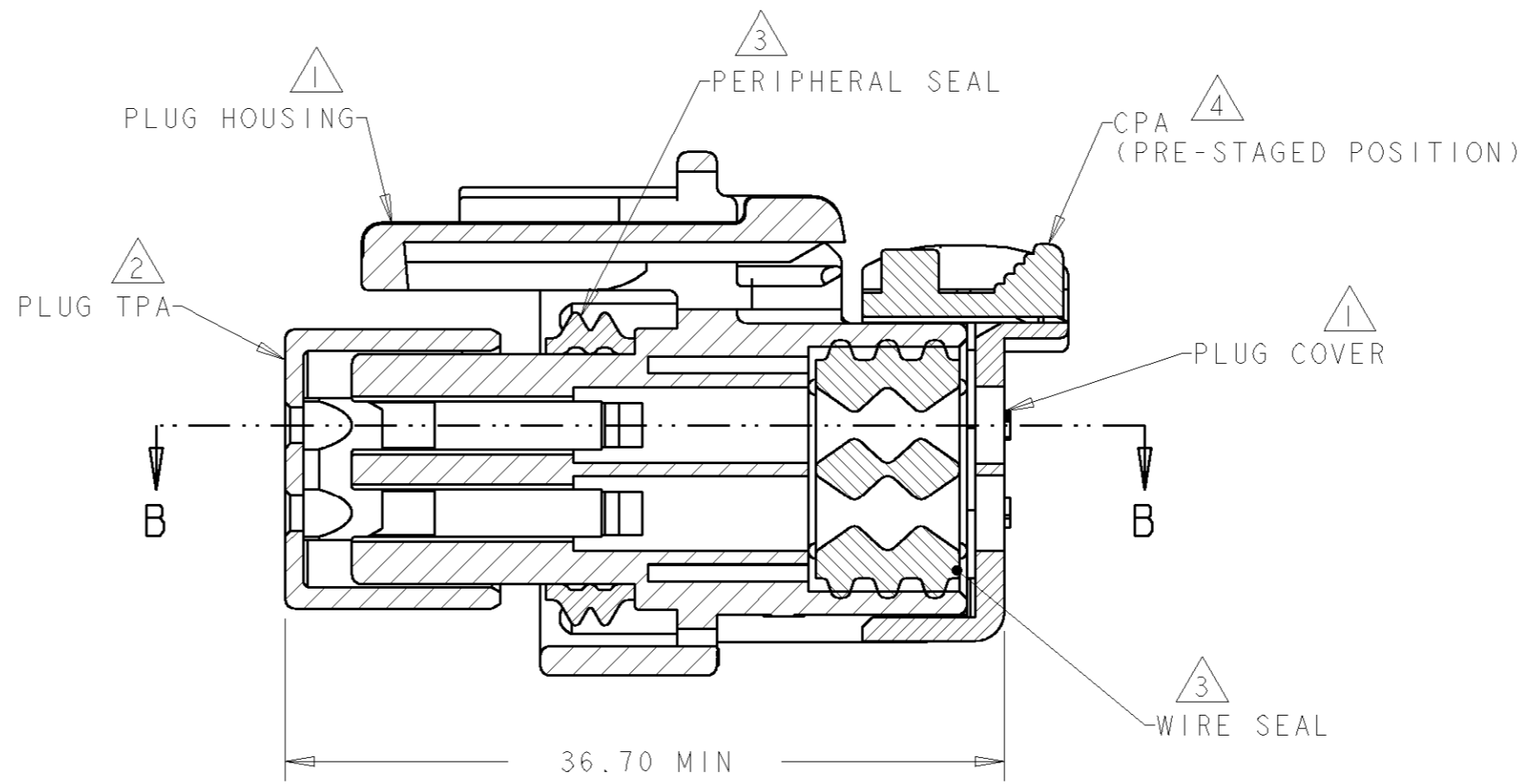


SECTION B-B

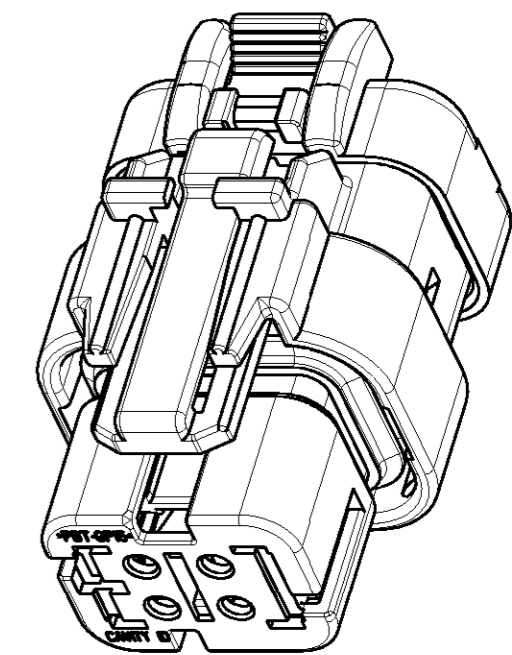
- 1 MATERIAL: 15% GLASS FILLED THERMOPLASTIC
COLOR: BLACK
- 2 MATERIAL: 15% GLASS FILLED THERMOPLASTIC
COLOR: (SEE TABLE)
- 3 MATERIAL: SILICONE
COLOR: YELLOW
- 4 MATERIAL: 15% GLASS FILLED THERMOPLASTIC
COLOR: RED
- 5. RECOMMENDED WIRE DIAMETER RANGE IS 2.18 TO 3.67mm



776487-1 SHOWN



SECTION A-A



SCALE 2:1

GREEN	776487-4
YELLOW	776487-3
GRAY	776487-2
RED	776487-1
TPA COLOR	PART NUMBER

DIMENSIONS:		TOLERANCES UNLESS OTHERWISE SPECIFIED:		DWN B. SIMPSON 12DEC2002		TE Connectivity	
mm		0 PLC ± 1 PLC ± 2 PLC ± 3 PLC ± 4 PLC ± ANGLES ± FINISH ±		CHK D. KLEIN 12DEC2002			
				APVD D. KLEIN 16DEC2002		PLUG ASSEMBLY, 4 POSITION, DUAL ROW, AMPSEAL 16	
MATERIAL				PRODUCT SPEC		SIZE	
				APPLICATION SPEC		CAGE CODE	
				114-13065		DRAWING NO	
				WEIGHT		A2 00779	
				CUSTOMER DRAWING		G-776487	
				SCALE 3:1		SHEET OF	
						REV D1	

776487

B

A