

Optical to Coaxial Adapter

pro-SIGNAL

RoHS
Compliant



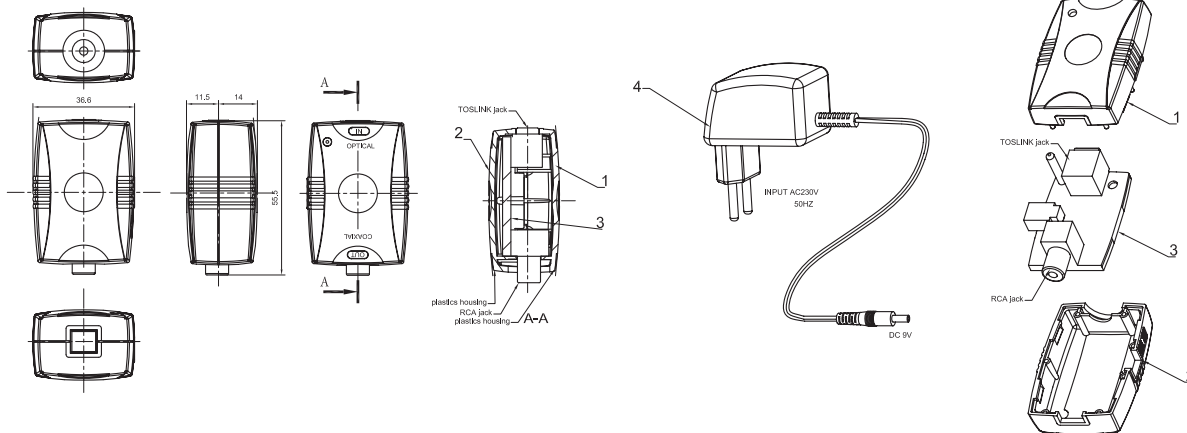
Description

The device which can convert optical audio signal to digital audio signal. By one TOSlink jack input and one RCA jack output. This device which applies to connection of advanced audio output equipment. e.g.VCD CD DVD and advanced stereo input acoustic equipment e.g. Preamplifier Capacity. Amplifier

Specifications

Power Supply : DC9V. 100mA
TOSlink Jack & RCA Jack : Pull off force more than 0.6KGF
Insert force less than 5KGF

Diagram



Item	Description	Qty.
1	Up Housing	ABS Natural Colour Silver Paint
2	Bottom Housing	ABS Natural Colour Silver Paint
3	PCB Assembly	-
4	Adapter	Input: 230V AC 50Hz; Output: DC 9V 100mA

Part Number Table

Description	Part Number
Optical to Coaxial Adapter	PSG08095

Dimensions : Millimetres

Important Notice : This data sheet and its contents (the "Information") belong to the members of the AVNET group of companies (the "Group") or are licensed to it. No licence is granted for the use of it other than for information purposes in connection with the products to which it relates. No licence of any intellectual property rights is granted. The Information is subject to change without notice and replaces all data sheets previously supplied. The Information supplied is believed to be accurate but the Group assumes no responsibility for its accuracy or completeness, any error in or omission from it or for any use made of it. Users of this data sheet should check for themselves the Information and the suitability of the products for their purpose and not make any assumptions based on information included or omitted. Liability for loss or damage resulting from any reliance on the Information or use of it (including liability resulting from negligence or where the Group was aware of the possibility of such loss or damage arising) is excluded. This will not operate to limit or restrict the Group's liability for death or personal injury resulting from its negligence. pro-SIGNAL is the registered trademark of Premier Farnell Limited 2019.

Newark.com/exclusive-brands
Farnell.com/exclusive-brands
Element14.com/exclusive-brands

pro-SIGNAL