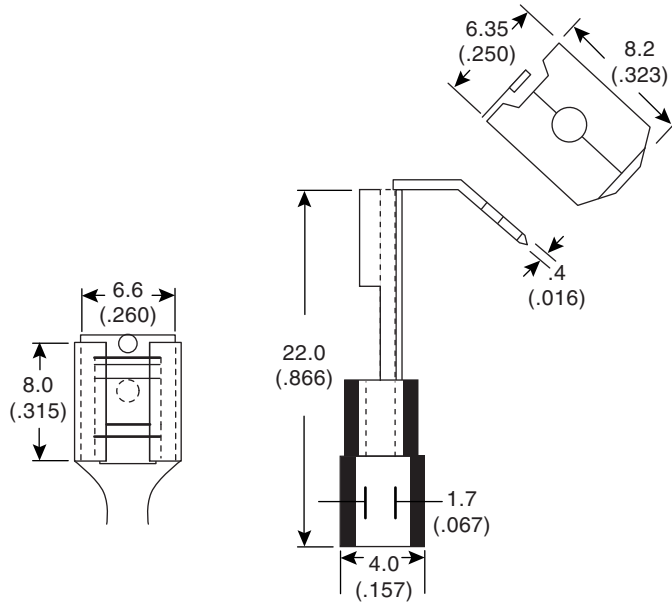


Piggy Back Disconnect

159-2212



Piggy Back Disconnects



Dimensions: mm (In.)

SPECIFICATIONS	
Maximum Electric Current:	22-16 A.W.G. 10 Ampere
Maximum Electrical Rating:	75°C 300 Volts Max.
Insulation Material:	Vinyl
Terminal Material:	Brass
Insulation Color:	Red

Date Last Revised: 6-27-05

Available from Mouser Electronics
1-800-346-6873
www.mouser.com

KC-300732

159-2212

Mouser Electronics

Authorized Distributor

Click to View Pricing, Inventory, Delivery & Lifecycle Information:

[Kobiconn:](#)

[159-2212](#)