

15

KLS 40

Jack connectors

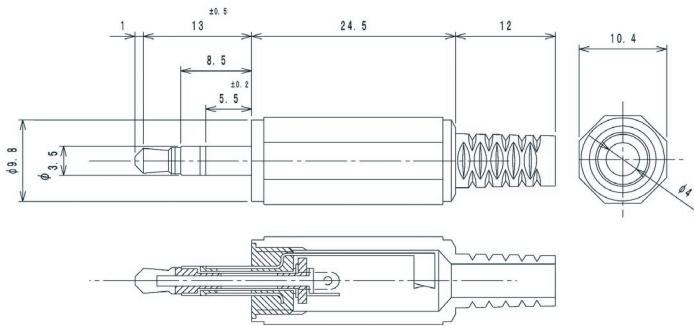


Jack plug acc. to JIS C 6560 JC35P3, 3.5 mm, 3 poles/
stereo, straight version, with bend protection and solder
terminal

State: Active

15

KLS 40



Environmental conditions

Temperature range -20 °C/+70 °C

Materials

Insulating body	ABS
Contact	CuZn/steel, nickel-plated
Insulation	POM/ebonite/PC
Housing	PE

Connectable conductors for solder area

Cable diameter 4 mm

Electrical data (at T_{amb} 20 °C)

Rated current	1 A
Rated voltage	34 V AC/DC
Rated impulse voltage	500 V/60 s
Insulation resistance	≥ 100 MΩ

Associated products

Counterparts

☞ 1502 01	☞ 1503 02	☞ 1503 03
☞ 1503 07	☞ 1503 08	☞ 1503 09
☞ 1503 17	☞ 1503 18	☞ 1520 01
☞ 1520 02	☞ 4510	☞ 4511
☞ KLB 4	☞ KLBR 4	

15

KLS 40

Designation	Pole Number	PU (Pieces)	MDQ (Pieces)
KLS 40	3	100	500

Packaging:

in bulk, in a cardboard box or a plastic bag