

Soft-start/quick exhaust valves MS-SV, MS series

FESTO



Key features

Service unit components of the MS series

Solutions for every application

With its large product range, highly effective components and a wide choice of functions, the MS series from Festo offers a complete concept for compressed air preparation. It is suitable for simple standard applications as well as application-specific solutions with very high quality requirements. Available as individual components, pre-assembled combinations ex-stock,

application-specific combinations or complete turnkey solutions. The five sizes in the MS series achieve maximum flow rates with low space requirements.

Freely combinable function modules

Pressure regulators, on/off and soft-start valves with safety function, filters, pressure and flow sensors, dryers, sensors and lubricators can be assembled into a suitable solution for every task. With the modular structure the components can be combined as required. The simple connection system saves time because replacing individu-

al modules does not require disassembling the entire combination. Many of the components are also UL and ATEX certified.

CAD models and configurator

Convenient tools for planning and selecting application-specific individual components and combinations. The product configurator can be used to configure customised solutions quickly and to transfer the order data without any hassle.

Engineering tools

Selection tool for choosing the right service unit without oversizing, and with the right air purity class:
 → www.festo.com/engineering/service-unit



Integrated sensors

Pressure and flow sensors

Safety functions

Soft-start/quick exhaust valves
 MS6-SV/MS9-SV

Saving energy

Service unit combinations MSE6

Intelligent mix of sizes



- Maximum machine availability thanks to controlled processes
- Reliable compressed air preparation and system supply
- Integrated or stand-alone
- Easy to connect with M8/M12 plug



- Fast and reliable exhausting of systems up to Performance Level e, certified to EN ISO 13849-1
- Integrated soft-start function



- Fully automatic monitoring and regulation of the compressed air supply
- Automatic shut-off of the compressed air in standby mode
- Detection and notification of leakages
- Condition monitoring of relevant process data



- Optimum flow rate with a size that is up to 18% smaller
- Excellent energy efficiency
- Cost-optimised combinations – save up to 30%!

Size differences

Size	MS2	MS4	MS6	MS9	MS12
Grid dimension [mm]	25	40	62	90	124
Connection sizes	M5, QS-6	G1/8, G1/4, G3/8	G1/4, G3/8, G1/2, G3/4	G1/2, G3/4, G1, G1 1/4, G1 1/2	G1, G1 1/4, G1 1/2, G2
Standard nominal flow rate q _N ¹⁾ [l/min]	350	1800	6500	20000	22000

1) Using pressure regulator MS-LR as an example

Key features

Note

Information

The next few pages provide a brief overview of the product range for the MS series service unit components.

You can find detailed information and all the technical data in the documentation for the relevant service unit component.

Accessories such as connecting plates or mounting brackets can be ordered either via the configurator or separately.

Design of a service unit

The order of the individual service unit components within a combination is relevant for safety and functionality. The service unit components cannot be combined in any order in the flow direction. They are subject to restrictions and rules.





The configurator for the service unit MSB is a reliable and convenient way of arranging individual service unit components and it ensures compliance with the applicable rules. As a result, you get a fully assembled unit, including UL or ATEX certification, if necessary.

When combining a unit from individually configured and ordered service unit components, the points on the right must be adhered to under all circumstances.







- Regulators MS-LFR/LR/LRP/LRE are only permissible in the flow direction with the same or decreasing pressure regulation range
- Filters MS-LFR/LF/LFM/LFX are only permissible in the flow direction with an increasing grade of filtration
- Lubricators MS-LOE are not permitted in the flow direction upstream of a filter MS-LFR/LFM/LF/LFX, water separator MS-LWS or membrane air dryer MS-LDM1

- A micro filter MS-LFM must be installed in the flow direction upstream of an activated carbon filter MS-LFX or membrane air dryer MS-LDM1
- A flow sensor SFAM cannot be installed directly downstream of a regulator MS-LFR/LR; a branching module MS-FRM must be positioned between them
- A soft-start/quick exhaust valve MS-SV must be the last service unit component in the flow direction






Product range for service unit components of the MS series

Type	Description	Size	Pneumatic connection					
			Push-in connector	Female thread			Connecting plate with thread	
				M	G	NPT	G	NPT
Combinations								
Service unit combinations MSB-FRC								Datasheets → Internet: msb
	Combinations of filter regulator and lubricator	4	–	–	1/8, 1/4	–	–	–
		6	–	–	1/4, 3/8, 1/2	–	–	–
Service unit combinations MSB								
Service unit combinations MSB								Datasheets → Internet: msb
	7 combinations, predefined	4	–	–	1/4	–	–	–
		6	–	–	1/2	–	–	–
	Freely configurable combinations	4	–	–	1/8, 1/4	–	1/8, 1/4, 3/8	1/8, 1/4, 3/8
		6	–	–	1/4, 3/8, 1/2	–	1/4, 3/8, 1/2, 3/4	1/4, 3/8, 1/2, 3/4
		9	–	–	3/4, 1	3/4, 1	1/2, 3/4, 1, 1 1/4, 1 1/2	1/2, 3/4, 1, 1 1/4, 1 1/2
Service unit combinations MSE6								
Service unit combinations MSE6								Datasheets → Internet: mse6
	Combinations with fieldbus connection for measuring pressure, flow rate and consumption	6	–	–	–	–	1/2	–

Key features

Product range for service unit components of the MS series									
Type	Description	Size	Pneumatic connection					Connecting plate with thread	
			Push-in connector	Female thread			G	NPT	
				M	G	NPT			
Individual devices									
Filter regulators MS-LFR			Datasheets → Internet: ms2-lfr; ms4-lfr; ms6-lfr; ms9-lfr; ms12-lfr						
	Filter and pressure regulator in a single device, grade of filtration 5 or 40 µm	2	QS-6	M5	–	–	–	–	
		4	–	–	1/8, 1/4	–	1/8, 1/4, 3/8	1/8, 1/4, 3/8	
		6	–	–	1/4, 3/8, 1/2	–	1/4, 3/8, 1/2, 3/4	1/4, 3/8, 1/2, 3/4	
		9	–	–	3/4, 1	3/4, 1	1/2, 3/4, 1, 1 1/4, 1 1/2	1/2, 3/4, 1, 1 1/4, 1 1/2	
		12	–	–	–	–	1, 1 1/4, 1 1/2, 2	–	
Filter regulators MS-LFR-B			Datasheets → Internet: ms4-lfr-b; ms6-lfr-b						
	Filter and pressure regulator in a single device in polymer housing, grade of filtration 5 or 40 µm	4	–	–	1/4	–	–	–	
		6	–	–	1/2	–	–	–	
Filters MS-LF			Datasheets → Internet: ms4-lf; ms6-lf; ms9-lf; ms12-lf						
	Grade of filtration 5 or 40 µm	4	–	–	1/8, 1/4	–	1/8, 1/4, 3/8	1/8, 1/4, 3/8	
		6	–	–	1/4, 3/8, 1/2	–	1/4, 3/8, 1/2, 3/4	1/4, 3/8, 1/2, 3/4	
		9	–	–	3/4, 1	3/4, 1	1/2, 3/4, 1, 1 1/4, 1 1/2	1/2, 3/4, 1, 1 1/4, 1 1/2	
		12	–	–	–	–	1, 1 1/4, 1 1/2, 2	–	
Fine and micro filters MS-LFM			Datasheets → Internet: ms4-lfm; ms6-lfm; ms9-lfm; ms12-lfm						
	Grade of filtration 0.01 or 1 µm	4	–	–	1/8, 1/4	–	1/8, 1/4, 3/8	1/8, 1/4, 3/8	
		6	–	–	1/4, 3/8, 1/2	–	1/4, 3/8, 1/2, 3/4	1/4, 3/8, 1/2, 3/4	
		9	–	–	3/4, 1	3/4, 1	1/2, 3/4, 1, 1 1/4, 1 1/2	1/2, 3/4, 1, 1 1/4, 1 1/2	
		12	–	–	–	–	1, 1 1/4, 1 1/2, 2	–	
Activated carbon filters MS-LFX			Datasheets → Internet: ms4-lfx; ms6-lfx; ms9-lfx; ms12-lfx						
	For removing liquid and gaseous oil particles	4	–	–	1/8, 1/4	–	1/8, 1/4, 3/8	1/8, 1/4, 3/8	
		6	–	–	1/4, 3/8, 1/2	–	1/4, 3/8, 1/2, 3/4	1/4, 3/8, 1/2, 3/4	
		9	–	–	3/4, 1	3/4, 1	1/2, 3/4, 1, 1 1/4, 1 1/2	1/2, 3/4, 1, 1 1/4, 1 1/2	
		12	–	–	–	–	1, 1 1/4, 1 1/2, 2	–	
Water separators MS-LWS			Datasheets → Internet: ms6-lws; ms9-lws; ms12-lws						
	Remove condensate from compressed air, maintenance-free	6	–	–	1/4, 3/8, 1/2	–	1/4, 3/8, 1/2, 3/4	1/4, 3/8, 1/2, 3/4	
		9	–	–	3/4, 1	3/4, 1	1/2, 3/4, 1, 1 1/4, 1 1/2	1/2, 3/4, 1, 1 1/4, 1 1/2	
		12	–	–	–	–	1, 1 1/4, 1 1/2, 2	–	





Key features

Product range for service unit components of the MS series								
Type	Description	Size	Pneumatic connection					
			Push-in connector	Female thread			Connecting plate with thread	
				M	G	NPT	G	NPT
Individual devices								
Pressure regulators MS-LR			Datasheets → Internet: ms2-lr; ms4-lr; ms6-lr; ms9-lr; ms12-lr					
	For setting the required operating pressure, 4 pressure regulation ranges	2	QS-6	M5	–	–	–	–
		4	–	–	1/8, 1/4	–	1/8, 1/4, 3/8	1/8, 1/4, 3/8
		6	–	–	1/4, 3/8, 1/2	–	1/4, 3/8, 1/2, 3/4	1/4, 3/8, 1/2, 3/4
		9	–	–	3/4, 1	3/4, 1	1/2, 3/4, 1, 1 1/4, 1 1/2	1/2, 3/4, 1, 1 1/4, 1 1/2
		12	–	–	–	–	1, 1 1/4, 1 1/2, 2	–
Pressure regulators MS-LR-B			Datasheets → Internet: ms4-lr-b; ms6-lr-b					
	For setting the required operating pressure, in polymer housing	4	–	–	1/4	–	–	–
		6	–	–	1/2	–	–	–
Pressure regulators MS-LRB			Datasheets → Internet: ms4-lrb; ms6-lrb					
	For configuring a regulator manifold with independent pressure regulation ranges. Pressure output is to the front or rear.	4	–	–	1/4	–	1/8, 1/4, 3/8	–
		6	–	–	1/2	–	1/4, 3/8, 1/2, 3/4	–
Precision pressure regulators MS-LRP			Datasheets → Internet: ms6-lrp					
	For the precise setting of the required operating pressure, 4 pressure regulation ranges, pressure hysteresis 0.02 bar	6	–	–	1/4, 3/8, 1/2	–	1/4, 3/8, 1/2, 3/4	1/4, 3/8, 1/2, 3/4
Precision pressure regulators MS-LRPB			Datasheets → Internet: ms6-lrpb					
	For configuring a regulator manifold with independent pressure regulation ranges. Pressure output is to the front or rear.	6	–	–	1/2	–	1/4, 3/8, 1/2, 3/4	–
Electric pressure regulators MS-LRE			Datasheets → Internet: ms6-lre					
	Electrically adjustable pressure regulator, 4 pressure regulation ranges	6	–	–	1/4, 3/8, 1/2	–	1/4, 3/8, 1/2, 3/4	1/4, 3/8, 1/2, 3/4
Lubricators MS-LOE			Datasheets → Internet: ms4-loe; ms6-loe; ms9-loe; ms12-loe					
	Add a precisely adjustable amount of oil to the compressed air. The amount of oil mist is proportional to the compressed air flow rate.	4	–	–	1/8, 1/4	–	1/8, 1/4, 3/8	1/8, 1/4, 3/8
		6	–	–	1/4, 3/8, 1/2	–	1/4, 3/8, 1/2, 3/4	1/4, 3/8, 1/2, 3/4
		9	–	–	3/4, 1	3/4, 1	1/2, 3/4, 1, 1 1/4, 1 1/2	1/2, 3/4, 1, 1 1/4, 1 1/2
		12	–	–	–	–	1, 1 1/4, 1 1/2, 2	–

Key features

Product range for service unit components of the MS series								
Type	Description	Size	Pneumatic connection					
			Push-in connector	Female thread			Connecting plate with thread	
				M	G	NPT	G	NPT
Individual devices								
On/off valves MS-EM Datasheets → Internet: ms4-em; ms6-em; ms9-em; ms12-em								
	Manually actuated on/off valve for pressurising and exhausting pneumatic systems.	4	–	–	1/8, 1/4	–	1/8, 1/4, 3/8	1/8, 1/4, 3/8
		6	–	–	1/4, 3/8, 1/2	–	1/4, 3/8, 1/2, 3/4	1/4, 3/8, 1/2, 3/4
		9	–	–	3/4, 1	3/4, 1	1/2, 3/4, 1, 1 1/4, 1 1/2	1/2, 3/4, 1, 1 1/4, 1 1/2
		12	–	–	–	–	1, 1 1/4, 1 1/2, 2	–
On/off valves MS-EE Datasheets → Internet: ms4-ee; ms6-ee; ms9-ee; ms12-ee								
	Electrically actuated on/off valve for pressurising and exhausting pneumatic systems.	4	–	–	1/8, 1/4	–	1/8, 1/4, 3/8	1/8, 1/4, 3/8
		6	–	–	1/4, 3/8, 1/2	–	1/4, 3/8, 1/2, 3/4	1/4, 3/8, 1/2, 3/4
		9	–	–	3/4, 1	3/4, 1	1/2, 3/4, 1, 1 1/4, 1 1/2	1/2, 3/4, 1, 1 1/4, 1 1/2
		12	–	–	–	–	1, 1 1/4, 1 1/2, 2	–
On/off valves MS-EE-B Datasheets → Internet: ms4-ee-b; ms6-ee-b								
	Electrically actuated on/off valve in polymer housing for pressurising and exhausting pneumatic systems.	4	–	–	1/4	–	–	–
		6	–	–	1/2	–	–	–
Soft-start valves MS-DL Datasheets → Internet: ms4-dl; ms6-dl; ms12-dl								
	Pneumatically actuated soft-start valve for slow pressurisation and exhaust of pneumatic installations.	4	–	–	1/8, 1/4	–	1/8, 1/4, 3/8	1/8, 1/4, 3/8
		6	–	–	1/4, 3/8, 1/2	–	1/4, 3/8, 1/2, 3/4	1/4, 3/8, 1/2, 3/4
		12	–	–	–	–	1, 1 1/4, 1 1/2, 2	–
Soft-start valves MS-DE Datasheets → Internet: ms4-de; ms6-de; ms12-de								
	Electrically actuated soft-start valve for slowly pressurising and exhausting pneumatic installations.	4	–	–	1/8, 1/4	–	1/8, 1/4, 3/8	1/8, 1/4, 3/8
		6	–	–	1/4, 3/8, 1/2	–	1/4, 3/8, 1/2, 3/4	1/4, 3/8, 1/2, 3/4
		12	–	–	–	–	1, 1 1/4, 1 1/2, 2	–
On/off valves MS-EDE-B Datasheets → Internet: ms4-ed-e-b; ms6-ed-e-b								
	Electrically actuated soft-start valve in polymer housing for slowly pressurising and exhausting pneumatic installations.	4	–	–	1/4	–	–	–
		6	–	–	1/2	–	–	–
Soft-start/quick exhaust valves MS-SV Datasheets → Internet: ms6-sv; ms9-sv								
	For gradually increasing pressurisation and quick, safe pressure reduction in pneumatic piping systems. Up to category 1, PL c.	6	–	–	1/2	–	1/4, 3/8, 1/2, 3/4	1/4, 3/8, 1/2, 3/4
		9	–	–	3/4, 1	3/4, 1	1/2, 3/4, 1, 1 1/4, 1 1/2	1/2, 3/4, 1, 1 1/4, 1 1/2
	Up to category 3, PL d. Up to category 4, PL e in the case of optional extension.	6	–	–	1/2	–	1/4, 3/8, 1/2, 3/4	1/4, 3/8, 1/2, 3/4
	Up to category 4, PL e.	6	–	–	1/2	–	1/4, 3/8, 1/2, 3/4	–

Key features

Product range for service unit components of the MS series								
Type	Description	Size	Pneumatic connection					
			Push-in connector	Female thread			Connecting plate with thread	
				M	G	NPT	G	NPT
Individual devices								
Membrane air dryers MS-LDM1 Datasheets → Internet: ms4-ldm; ms6-ldm								
	Wear-free membrane dryer with internal air consumption	4	–	–	1/8, 1/4	–	1/8, 1/4, 3/8	1/8, 1/4, 3/8
		6	–	–	1/4, 3/8, 1/2	–	1/4, 3/8, 1/2, 3/4	1/4, 3/8, 1/2, 3/4
Branching modules MS-FRM Datasheets → Internet: ms4-frm; ms6-frm; ms9-frm; ms12-frm								
	Compressed air distributors with 4 connections	4	–	–	1/8, 1/4	–	1/8, 1/4, 3/8	–
		6	–	–	1/4, 3/8, 1/2	–	1/4, 3/8, 1/2, 3/4	–
		9	–	–	3/4, 1	3/4, 1	1/2, 3/4, 1, 1 1/4, 1 1/2	1/2, 3/4, 1, 1 1/4, 1 1/2
		12	–	–	–	–	1, 1 1/4, 1 1/2, 2	–
Distributor blocks MS-FRM-FRZ Datasheets → Internet: ms4-frm-frz; ms6-frm-frz								
	Compressed air distributors with 4 connections and half the grid width	4	–	–	–	–	–	–
		6	–	–	–	–	–	–
Flow sensors SFAM Datasheets → Internet: sfam								
	For absolute flow rate information and cumulative air consumption measurement	6	–	–	–	–	1/2	1/2
		9	–	–	–	–	1, 1 1/2	1, 1 1/2

Type codes MS6-SV

001	Series
MS	MS series

002	Size
6	Grid dimension 62 mm

003	Function
SV	Soft-start/quick exhaust valve

004	Pneumatic connection
1/2	Female thread G1/2
AGB	Sub-base G1/4
AGC	Sub-base G3/8
AGD	Sub-base G1/2
AGE	Sub-base G3/4
AQN	Sub-base 1/4 NPT
AQP	Sub-base 3/8 NPT
AQR	Sub-base 1/2 NPT
AQS	Sub-base 3/4 NPT

005	Performance Level
C	Category 1, 1-channel to ISO 13849-1
D	Category 3, 1-channel to ISO 13849-1
E	Category 4, 2-channel with self-monitoring to ISO 13849-1

006	Supply voltage
10V24P	24 V DC, 10 bar, M12 plug socket adapter (connection pattern to EN 60947-5-2)
10V24	24 V DC, 10 bar, connection pattern to EN 175301
10V24C	24 V DC, 10 bar (connection pattern to EN 175301) without manual override
10V24D	24 V DC, 10 bar, M12 (connection pattern to EN 60947-5-2) without manual override
10V24E	24 V DC, 10 bar, M12 (connection pattern to EN 60947-5-2) without manual override on the pilot actuator. With detenting internal manual override (can only be reset via 24 V).
10V24F	24 V DC, 10 bar, M12 (connection pattern to EN 60947-5-2). Manual override on the pilot actuator non-detenting, internally detenting
ASIS	22 V - 31.6 V DC, AS-i Safety at Work, SPEC3.0 Profile 7.5.5

007	Connection technology
	None
20E	2 SMT proximity sensors, 5 m, OE
2M8	2 SMT proximity sensors, 0.3 m, M8
2M12	2 SMT proximity sensors, 0.3 m, M12

008	Extended sensing
	None
S3	Additional SMT proximity sensor; required to achieve Performance Level "e"; corresponds to the selected connection technology

009	Silencer
	None
S	Silencer
SO	Open silencer

010	Pressure gauge alternatives
	None
AG	MS pressure gauge
A8	Adapter for EN pressure gauge 1/8, without pressure gauge
A4	Adapter for EN pressure gauge 1/4, without pressure gauge
RG	Integrated pressure gauge, red/green scale
AD1	Pressure sensor with LCD display, M8 plug, PNP, 3-pin
AD2	Pressure sensor with LCD display, M8 plug, NPN, 3-pin
AD3	Pressure sensor with LCD display, M12 plug, PNP, 4-pin, analogue output 4 ... 20 mA
AD4	Pressure sensor with LCD display, M12 plug, NPN, 4-pin, analogue output 4 ... 20 mA
AD7	Pressure sensor with switching display, M8 plug, threshold value comparator, PNP, N/O
AD8	Pressure sensor with switching display, M8 plug, threshold value comparator, PNP, N/C
AD9	Pressure sensor with switching display, M8 plug, window comparator, PNP, N/O
AD10	Pressure sensor with operational status indicator, M8 plug, window comparator, PNP, N/C
AD11	Pressure sensor with LCD display, M12 plug, 4-pin, IO-Link®, PNP, NPN, 0...10 V, 1...5 V, 4...20 mA
AD12	Pressure sensor with LCD display, M8 plug, 4-pin, IO-Link®, PNP, NPN, 0...10 V, 1...5 V, 4...20 mA

011	Alternative pressure gauge scale
	MS pressure gauge
PSI	psi
MPA	MPa

012	Multi-pin plug socket
	None
MP1	Multi-pin plug socket, Sub-D, 9-pin, screw terminal, without cable, static enable signals (EN1 = 24 V, EN2 = 24 V)
MP3	Multi-pin plug socket, Sub-D, 9-pin, screw terminal, without cable, static enable signals (EN1 = 0 V, EN2 = 24 V), cross-circuit detection possible
MP5	Multi-pin plug socket, Sub-D, 9-pin, screw terminal, without cable, enable signals static (EN1=0 V, EN2=24 V), galvanic isolation of the enable signals from the supply voltage

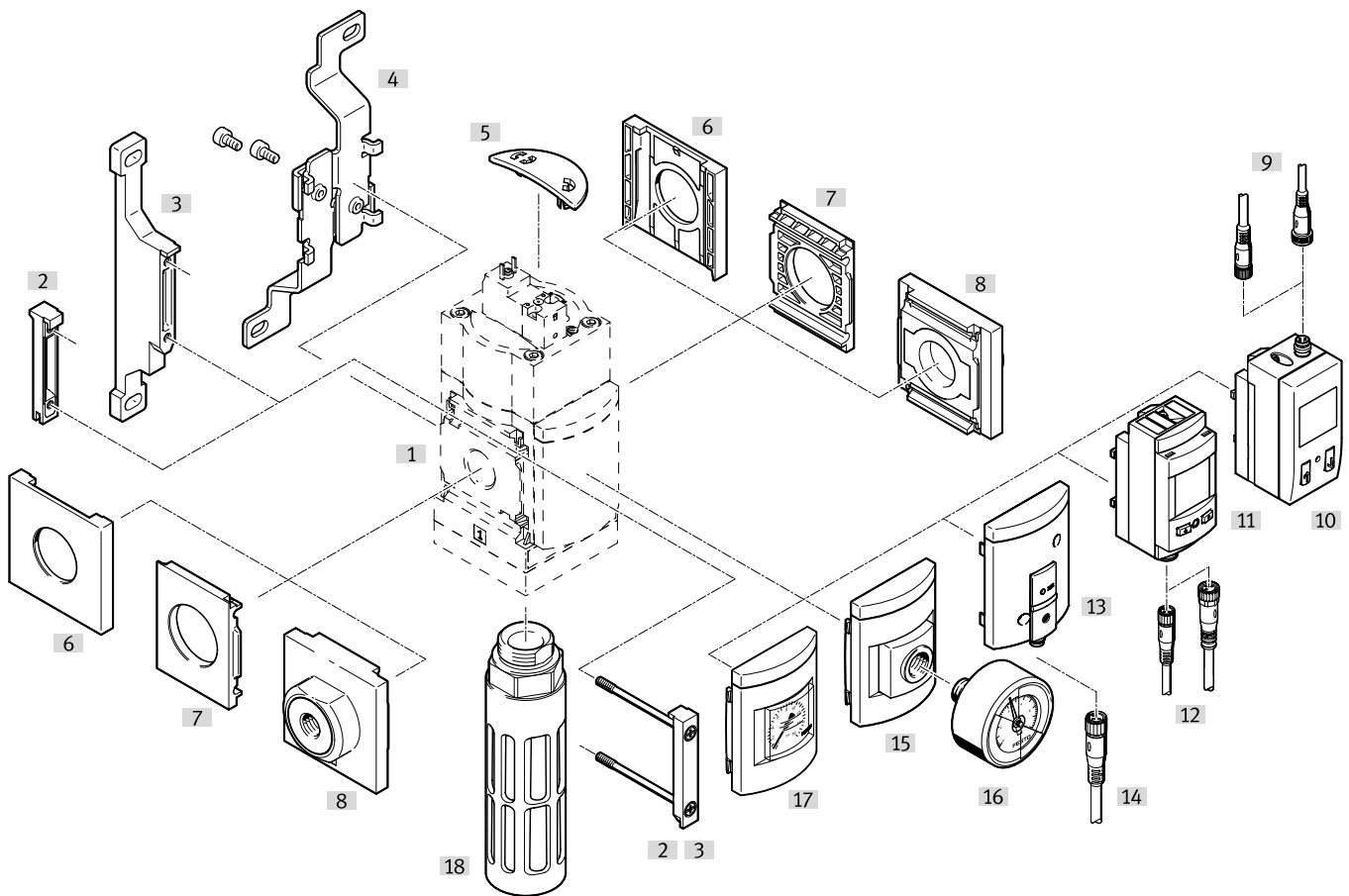
013	Type of mounting
	Without mounting bracket
WP	Mounting bracket basic design
WPB	Mounting bracket for large wall gap
WPM	Mounting bracket for hooking in service unit components
WB	Mounting centrally at rear (wall mounting top and bottom), connecting plates not required

014	Tamper protection
	None
MK	Full

015	UL certification
	None
UL1	cULus ordinary location for Canada and USA

016	Flow direction
	Flow direction from left to right
Z	Flow direction from right to left

Peripherals overview MS6-SV-C



Mounting attachments and accessories

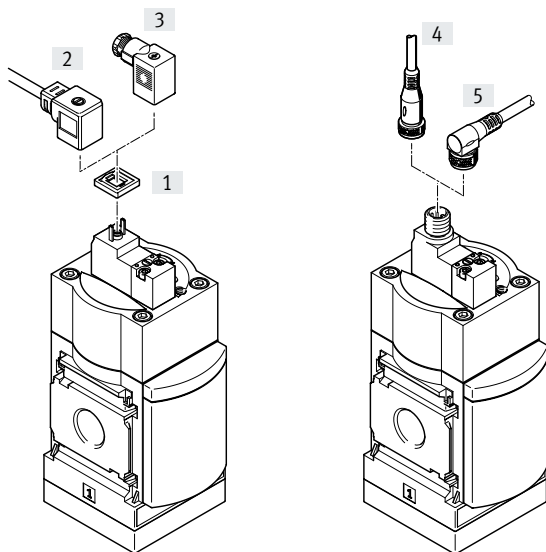
			Single device		Combination		→ Page/ Internet
			Without connecting plate	With connecting plate	Without connecting plate	With connecting plate	
[1]	MS6-SV-C	Soft-start/quick exhaust valve	■	■	■	■	11
[2]	MS6-MV	Module connector	–	■	■	■	ms6-mv
[3]	MS6-WP, MS6-WPB, MS6-WPE, MS6-WPM	Mounting bracket	■	■	■	■	ms6-wp
[4]	MS6-WB	Mounting bracket	■	■	–	–	ms6-wb
[5]	MS6-SV-C-MK	Covering	■	■	■	■	52
[6]	MS6-END	Cover cap	–	–	■	–	ms6-end
[7]	MS6-AEND	Mounting plate	■ ¹⁾	–	■ ¹⁾	–	ms6-aend
[8]	MS6-AG...	Connecting plate SET	–	■ ¹⁾	–	■ ¹⁾	ms6-ag
	MS6-AQ...	Connecting plate SET	–	■ ¹⁾	–	■ ¹⁾	ms6-aq
[9]	NEBU-M8...-LE3, NEBU-M12...-LE4	Connecting cable	■	■	■	■	54
[10]	AD1 ... AD4	Pressure sensor SDE1 with LCD display	■	■	■	■	17
[11]	AD11 ... AD12	Pressure sensor SPAU with LCD display	■	■	■	■	17
[12]	NEBU-M8...-LE4/NEBU-M12...-LE4	Connecting cable	■	■	■	■	54
[13]	AD7 ... AD10	Pressure sensor SDE5 with status indicator	■	■	■	■	17
[14]	NEBU-M8...-LE3	Connecting cable	■	■	■	■	54
[15]	A4	Adapter for EN pressure gauge 1/4	■	■	■	■	17
[16]	MA	Pressure gauge	■	■	■	■	54
[17]	AG, RG	MS pressure gauge	■	■	■	■	17
[18]	U-3/4-B	Silencer	■	■	■	■	53


1) Module connector MS6-MV [2] or mounting bracket MS6-WP, MS6-WPB, MS6-WPE, MS6-WPM [3] is required for mounting.

Peripherals overview MS6-SV-C

Supply voltage
Code: 10V24, 10V24C

Supply voltage
Code: 10V24D, 10V24E, 10V24F,
10V24P



 **Note**

Additional accessories:

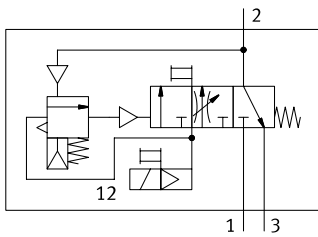
- Module connector for combination with size MS4, MS6 or size MS9
→ Internet: amv rmv
- Adapter for mounting on profiles
→ Internet: ipm


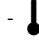


Mounting attachments and accessories

			Single device		Combination		→ Page/ Internet
			Without connecting plate	With connecting plate	Without connecting plate	With connecting plate	
[1]	MEB-LD	Illuminating seal	■	■	■	■	54
[2]	KMEB	Plug socket with cable	■	■	■	■	53
[3]	MSSD-EB	Plug socket	■	■	■	■	53
[4]	NEBU-M12G5	Connecting cable	■	■	■	■	54
[5]	NEBU-M12W5	Connecting cable	■	■	■	■	54

Datasheet MS6-SV-C

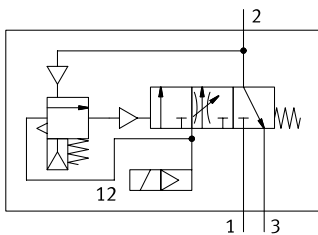
MS6-SV...-10V24, 10V24F, 10V24P



-  - Flow rate
5700 l/min
-  - Temperature range
0 ... +60°C
-  - Operating pressure
3 ... 10 bar
-  www.festo.com



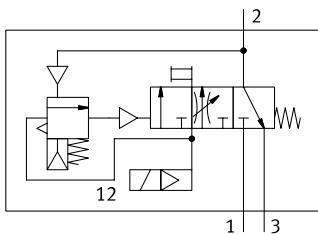
MS6-SV...-10V24C, 10V24D



Electropneumatic soft-start/quick exhaust valve for gradual pressurisation and quick exhaust of system components (single channel).
The main flow control valve in the cover permits a slow build-up of the output pressure p2. Once the output pressure p2 has reached the set pressure switchover point (switching pressure), the valve opens and the full operating pressure p1 is available at the output

- Suitable for applications with a high flow rate in restricted spaces with medium safety requirements up to controller category 1, Performance Level c
- High volumetric flow rate for pressurisation and exhaust
- The filling flow rate can be set for gradual pressure build-up using a flow control valve
- Adjustable pressure switchover point
- Optional pressure sensor
- Optional cover for the control sections as tamper protection

MS6-SV...-10V24E



Safety data

Conforms to	EN ISO 13849-1
Safety function	Exhausting Avoidance of unexpected start-up (pressurisation)
Performance Level (PL)	Exhausting: up to category 1, PL c Prevention of unexpected start-up (pressurisation): up to category 1, PL c
Note on forced checking procedure	Switching frequency min. 1/month
CE marking (see declaration of conformity) ¹⁾	To EU Machinery Directive
Shock resistance	Shock test with severity level 2 in accordance with FN 942017-5 and EN 60068-2-27
Vibration resistance	Transport application test with severity level 2 to FN 942017-4 and EN 60068-2-6

1) Additional information: www.festo.com/catalogue/... → Support/Downloads.



Note

The mechanical system is not tested in the controlled (i.e. pressurised) state.

Forced switch on/off: switching frequency should be at least once a month.

If the process-related switching frequency (safe exhausting) is less than once a month,

the machine operator must carry out a forced switch off.

Datasheet MS6-SV-C

General technical data	
Pneumatic connection 1, 2	
Female thread	G1/2
Connecting plate AG...	G1/4, G3/8, G1/2 or G3/4
Connecting plate AQ...	1/4 NPT, 3/8 NPT, 1/2 NPT or 3/4 NPT
Pneumatic connection 3	G3/4
Actuation type	Electrical
Design	Piston spool
Type of mounting	Via accessories In-line installation
Mounting position	Any
Pressure indicator	Via pressure sensor for indicating the output pressure and electrical output via LCD display Via pressure sensor for indicating the output pressure and electrical output via switching status indicator Via pressure gauge for displaying the output pressure Via pressure gauge with red/green scale for indicating the output pressure Prepared for G1/4
Valve function	3/2-way valve, closed, single solenoid Soft-start function, adjustable
Non-overlapping	Yes
Exhaust air function	Cannot be throttled
Manual override	10V24, 10V24F At the pilot solenoid valve: non-detenting At the soft-start/quick exhaust valve: detenting, self-resetting
	10V24E At the pilot solenoid valve: none At the soft-start/quick exhaust valve: detenting, self-resetting
	10V24P At the pilot solenoid valve: non-detenting/detenting At the soft-start/quick exhaust valve: detenting, self-resetting
	10V24C, 10V24D None
Reset method	Mechanical spring
Type of control	Piloted
Pilot air supply	Internal
Sealing principle	Soft

† Note: this product conforms to ISO 1179-1 and ISO 228-1.

Characteristic flow rate values	
Pneumatic connection	Female thread G1/2
Standard nominal flow rate $q_{nN}^{1)}$ [l/min]	
In main flow direction 1 → 2	5700
Standard flow rate q_N [l/min], $p_2 = 6$ bar	
In exhaust direction 2 → 3	7600 ²⁾
C value [l/s*min]	
In main flow direction 1 → 2	23.2
b value	
In main flow direction 1 → 2	0.4

- 1) Measured at $p_1 = 6$ bar and $p_2 = 5$ bar, $\Delta p = 1$ bar
2) Measured with reference to atmosphere with silencer S.

Datasheet MS6-SV-C

Electrical data		
Characteristic coil data	10V24, 10V24P	24 V DC: 1.8 W; permissible voltage fluctuations -10%/+10%
	10V24C, 10V24D, 10V24E, 10V24F	24 V DC: 1.8 W; permissible voltage fluctuations -15%/+10%
Electrical connection	10V24, 10V24C	Plug, 2-pin, to EN 175301-803, type C
	10V24D, 10V24E, 10V24F, 10V24P	M12x1 to ISO 20401 in line with EN 61076-2-101
Degree of protection		IP65 with plug socket
Duty cycle	[%]	100
Switching time off	[ms]	65
Switching time on	[ms]	370

Operating and environmental conditions		
Operating pressure	[bar]	3 ... 10
Operating medium		Compressed air to ISO 8573-1:2010 [7:4:4]
Note on the operating/pilot medium		Lubricated operation possible (in which case lubricated operation will always be required)
Ambient temperature	[°C]	0 ... +60 (0 ... +50) ¹⁾
Temperature of medium	[°C]	0 ... +60 (0 ... +50) ¹⁾
Storage temperature	[°C]	-10 ... +60 (0 ... +50) ¹⁾
Corrosion resistance class CRC ²⁾		2
CE marking (see declaration of conformity) ³⁾		To EU Machinery Directive
Food-safe ³⁾		See supplementary material information (except for solenoid valve)

1) With pressure sensor AD...

2) Corrosion resistance class CRC 2 to Festo standard FN 940070

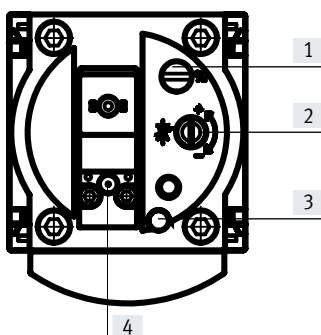
Moderate corrosion stress. Indoor applications in which condensation can occur. External visible parts with primarily decorative surface requirements that are in direct contact with a normal industrial environment.

3) Additional information: www.festo.com/catalogue/ms → Support/Downloads.

Weight [g]	
Soft-start/quick exhaust valve	886
Soft-start/quick exhaust valve with silencer S	1006

Materials	
Housing	Die-cast aluminium
Piston rod	High-alloy stainless steel
Seals	NBR
Note on materials	RoHS-compliant

Adjusting elements



[1] Screw for adjusting the pressure switchover point

[2] Flow control screw for adjusting the filling time

[3] Manual override at the soft-start/quick exhaust valve:

- detenting, self-resetting as soon as the solenoid coil or manual override on the pilot solenoid valve is actuated (with 10V24, 10V24E, 10V24F, 10V24P)
- none (with 10V24C, 10V24D)

[4] Manual override at the pilot solenoid valve:

- non-detenting, actuation from above (with 10V24/10V24F)
- non-detenting/detenting, actuation from above (with 10V24P)
- none (with 10V24C, 10V24D, 10V24E)

Datasheet MS6-SV-C

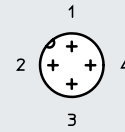
Dimensions – Basic version

Download CAD data → www.festo.com

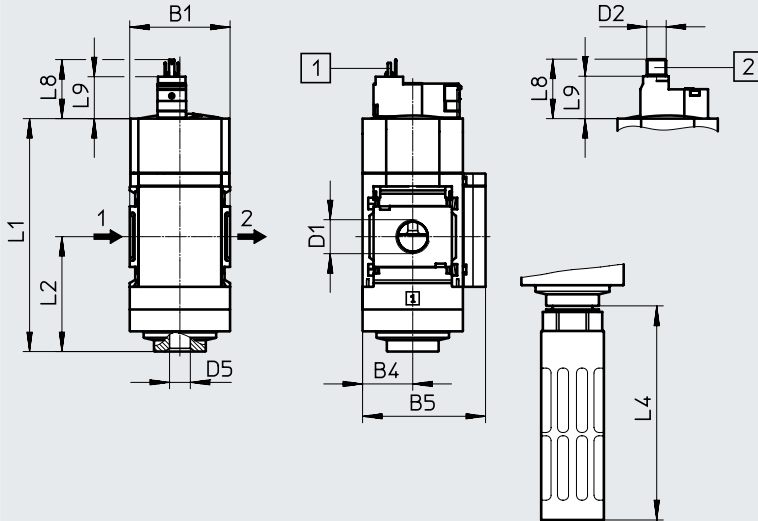
With female thread 1/2, with cover plate

Supply voltage
10V24, 10V24C

Supply voltage
10V24D, 10V24E, 10V24F,
10V24P



- 1 = not assigned
- 2 = not assigned
- 3 = com (-)
- 4 = Signal (+) solenoid 14



- [1] Plug connection to EN 175301-803
- [2] Electrical connection M12x1 to ISO 20401 in line with EN 61076-2-101, 4-pin version for connecting cable NEBU-M12
- Flow direction

With silencer S

Type	B1	B4	B5	D1	D2	D5	L1	L2	L4
MS6-SV-C	62	31	76	G1/2	M12x1	G3/4	144	71	128

Type	L8		L9	
	10V24, 10V24C	10V24D, 10V24E, 10V24F, 10V24P	10V24, 10V24C	10V24D, 10V24E, 10V24F, 10V24P
MS6-SV-C	33	37	24	26

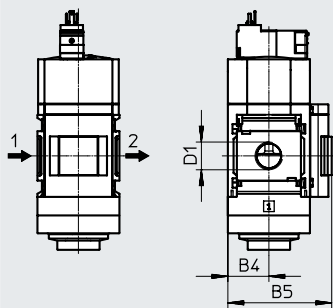
† Note: this product conforms to ISO 1179-1 and ISO 228-1.

Dimensions – Pressure gauge/pressure gauge alternatives

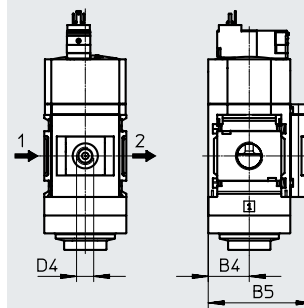
Download CAD data → www.festo.com

Integrated MS pressure gauge with standard scale AG or red/green scale RG, display unit [bar]

Adapter A4 for EN pressure gauge 1/4, without pressure gauge



→ Flow direction



→ Flow direction

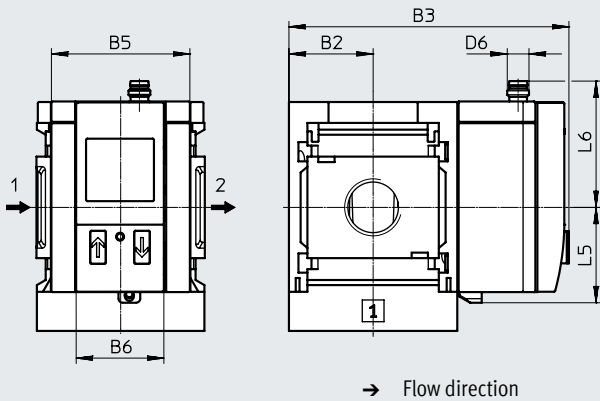
Type	B4	B5	D4
MS6-SV-...-AG	31	77	-
MS6-SV-...-RG	31	78.5	-
MS6-SV-...-A4	31	78.5	G1/4

† Note: this product conforms to ISO 1179-1 and ISO 228-1.

Datasheet MS6-SV-C

Dimensions – Pressure sensor

Pressure sensor with LCD display AD1 ... AD4



Download CAD data → www.festo.com

Datasheets → Internet: sde1

[AD1]:
SDE1-D10-G2-MS...-L-P1-M8 with 1x 3-pin M8 plug, 1 switching output PNP

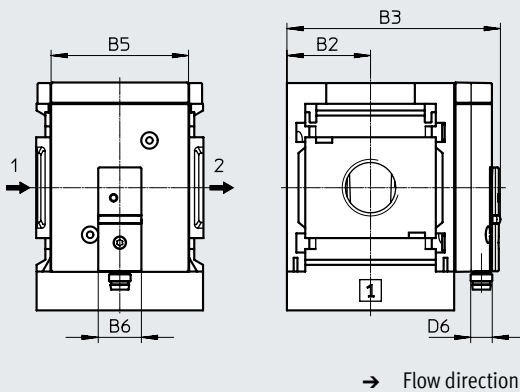
[AD3]:
SDE1-D10-G2-MS...-L-PI-M12 with 1x 4-pin M12 plug, 1 switching output PNP and 4 ... 20 mA analogue

[AD2]:
SDE1-D10-G2-MS...-L-N1-M8 with 1x 3-pin M8 plug, 1 switching output NPN

[AD4]:
SDE1-D10-G2-MS...-L-NI-M12 with 1x 4-pin M12 plug, 1 switching output NPN and 4 ... 20 mA analogue

Pressure sensor with switching status indicator AD7 ... AD10

Datasheets → Internet: sde5



[AD7]:
SDE5-D10-O-...-P-M8 with 1x 3-pin M8 plug, threshold value comparator, 1 switching output PNP, N/O contact

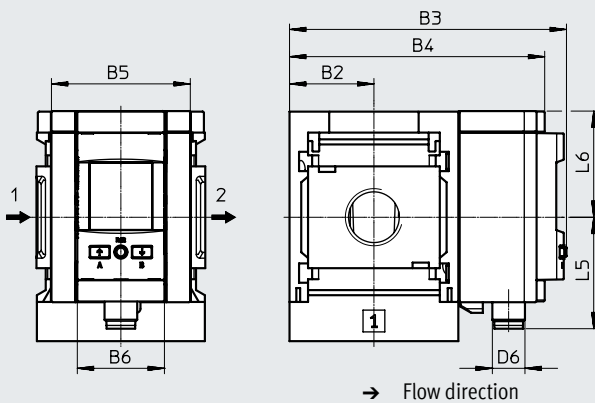
[AD9]:
SDE5-D10-O3-...-P-M8 with 1x 3-pin M8 plug, window comparator, 1 switching output PNP, N/O contact

[AD8]:
SDE5-D10-C-...-P-M8 with 1x 3-pin M8 plug, threshold value comparator, 1 switching output PNP, N/C contact

[AD10]:
SDE5-D10-C3-...-P-M8 with 1x 3-pin M8 plug, window comparator, 1 switching output PNP, N/C contact

Pressure sensor with LCD display AD11 ... AD12

Datasheets → Internet: spau



[AD11]:
SPAU-P10R-MS...-L-PNLK-M12D with 1x 4-pin M12 plug, A-coded, switching output 2x PNP or 2x NPN switchable and 0 ... 10 V, 1 ... 5 V, 4 ... 20 mA analogue

[AD12]:
SPAU-P10R-MS...-L-PNLK-M8D with 1x 4-pin M8 plug, A-coded, switching output 2x PNP or 2x NPN switchable and 0 ... 10 V, 1 ... 5 V, 4 ... 20 mA analogue

Type	B2	B3	B4	B5	B6	D6	L5	L6
MS6-SV-...-AD1, AD2	31	103	-	51	32.3	M8x1	35.1	46.7
MS6-SV-...-AD3, AD4						M12x1		55.8
MS6-SV-...-AD7, AD8, AD9, AD10	31	79.1	-	51	16	M8x1	-	-
MS6-SV-...-AD11	31	101.8	93.7	51	32	M12x1	41.2	39
MS6-SV-...-AD12						M8x1		37.9

† Note: this product conforms to ISO 1179-1 and ISO 228-1.

Ordering data			
Size	Connection	With silencer	
		Part no.	Type
Cover plate			
MS6	G1/2	8001469	MS6-SV-1/2-C-10V24-S

Ordering data – Modular product system MS6N-SV-C

Ordering table		Conditions	Code	Enter code
Grid dimension	[mm] 62			
Module no.	548713			
Series	Standard		MS	MS
Size	6		6	6
Function	Soft-start/quick exhaust valve		-SV	-SV
Pneumatic connection	Female thread G1/2		-1/2	
	Connecting plate G1/4		-AGB	
	Connecting plate G3/8		-AGC	
	Connecting plate G1/2		-AGD	
	Connecting plate G3/4		-AGE	
	Connecting plate 1/4 NPT		-AQN	
	Connecting plate 3/8 NPT		-AQP	
	Connecting plate 1/2 NPT		-AQR	
	Connecting plate 3/4 NPT		-AQS	
Performance Level	Category 1, single-channel, to EN ISO 13849-1		-C	-C
Supply voltage	24 V DC (plug pattern to EN 175301), 3 ... 10 bar, Manual override • At the soft-start/quick exhaust valve: detenting, self-resetting • At the pilot solenoid valve: non-detenting		-10V24	
	24 V DC (plug pattern to EN 175301), 3 ... 10 bar, no manual override		-10V24C	
	24 V DC, M12x1 to ISO 20401 in line with EN 61076-2-101, 3 ... 10 bar, no manual override		-10V24D	
	24 V DC, M12x1 to ISO 20401 in line with EN 61076-2-101, 3 ... 10 bar, Manual override • At the soft-start/quick exhaust valve: detenting, self-resetting • At the pilot solenoid valve: none		-10V24E	
	24 V DC, M12x1 to ISO 20401 in line with EN 61076-2-101, 3 ... 10 bar, Manual override • At the soft-start/quick exhaust valve: detenting, self-resetting • At the pilot solenoid valve: non-detenting		-10V24F	
	24 V DC, M12x1 to ISO 20401 in line with EN 61076-2-101, 3 ... 10 bar, Manual override • At the soft-start/quick exhaust valve: detenting, self-resetting • At the pilot solenoid valve: non-detenting/detenting		-10V24P	

Ordering data – Modular product system MS6N-SV-C

Ordering table		Grid dimension	[mm]	62	Conditions	Code	Enter code
Silencer	Silencer					-S	
Pressure gauge/pressure gauge alternatives	MS pressure gauge	[1]				-AG	
	Adapter for EN pressure gauge 1/4, without pressure gauge					-A4	
	Integrated pressure gauge, red/green scale	[1]				-RG	
	Pressure sensor SDE1 with LCD display, M8 plug, 1 switching output PNP, 3-pin	[2]				-AD1	
	Pressure sensor SDE1 with LCD display, M8 plug, 1 switching output NPN, 3-pin	[2]				-AD2	
	Pressure sensor SDE1 with LCD display, M12 plug, 1 switching output PNP, 4-pin, analogue output 4 ... 20 mA	[2]				-AD3	
	Pressure sensor SDE1 with LCD display, M12 plug, 1 switching output NPN, 4-pin, analogue output 4 ... 20 mA	[2]				-AD4	
	Pressure sensor SDE5 with switching status indicator, M8 plug, threshold value comparator, PNP, N/O	[2]				-AD7	
	Pressure sensor SDE5 with switching status indicator, M8 plug, threshold value comparator, PNP, N/C	[2]				-AD8	
	Pressure sensor SDE5 with switching status indicator, M8 plug, window comparator, PNP, N/O	[2]				-AD9	
	Pressure sensor SDE5 with switching status indicator, M8 plug, window comparator, PNP, N/C	[2]				-AD10	
	Pressure sensor SPAU with LCD display, M12 plug 4-pin, IO-Link®, PNP, NPN, 0 ... 10 V, 1 ... 5 V, 4 ... 20 mA	[2]				-AD11	
	Pressure sensor SPAU with LCD display, M8 plug 4-pin, IO-Link®, PNP, NPN, 0 ... 10 V, 1 ... 5 V, 4 ... 20 mA	[2]				-AD12	
Alternative pressure gauge scale	psi	[3]				-PSI	
	MPa	[4]				-MPA	
Type of mounting	Mounting bracket standard design					-WP	
	Mounting bracket for attaching service unit components	[5]				-WPM	
	Mounting bracket for large wall gap					-WPB	
	Mounting bracket centrally at rear (wall mounting top and bottom), connecting plates not required					-WB	
Tamper protection	Complete (manual override at soft-start/quick exhaust valve blocked, setting screws blocked, manual override at pilot solenoid valve blocked)					-MK	
Flow direction	Flow direction from right to left					-Z	

[1] **AG, RG** Pressure gauge scale in bar

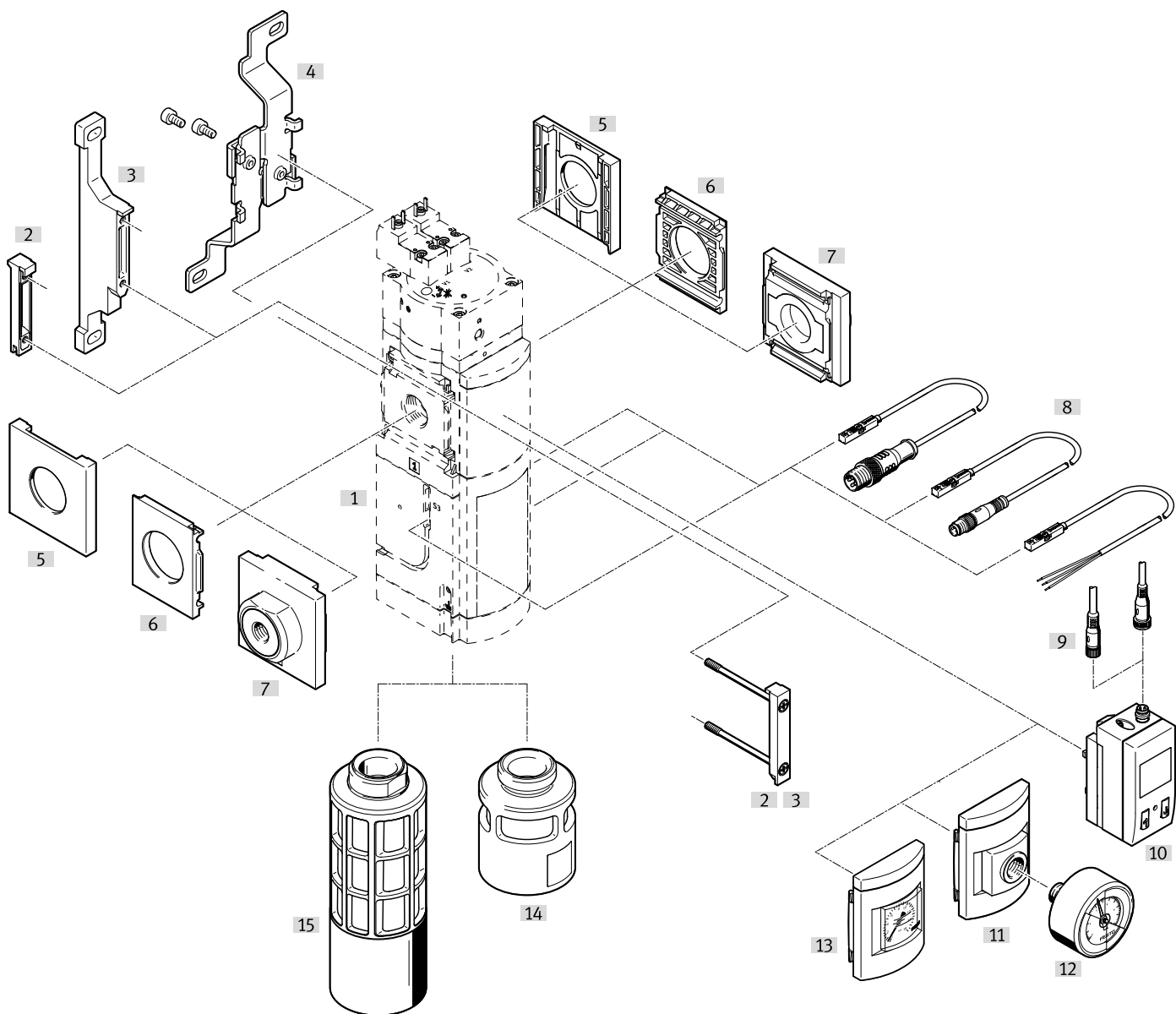
[2] **AD1 ... AD4, AD7 ... AD12** Measuring range max. 10 bar

[3] **PSI** Only in combination with pressure gauge AG

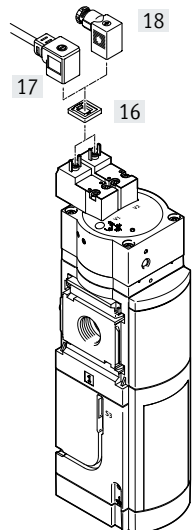
[4] **MPA** Only in combination with pressure gauge AG or RG

[5] **WPM** Only with connecting plate AGB, AGC, AGD, AGE, AQN, AQP, AQR or AQS

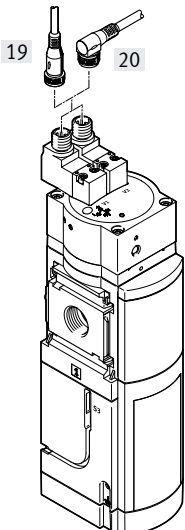
Peripherals overview MS6N-SV-D



Supply voltage
Code: 10V24



Supply voltage
Code: 10V24P



Note
Additional accessories:
• Module connector for combination with size MS4/MS6 or size MS9
→ Internet: amv rmv
• Adapter for mounting on profiles
→ Internet: ipm

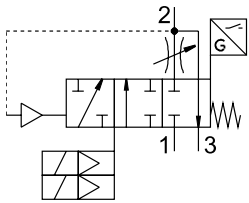
Peripherals overview MS6N-SV-D





Mounting attachments and accessories			Single device		Combination		→ Page/ Internet
			Without connecting plate	With connecting plate	Without connecting plate	With connecting plate	
[1]	MS6-SV-D	Soft-start/quick exhaust valve	■	■	■	■	20
[2]	MS6-MV	Module connector	–	■	■	■	ms6-mv
[3]	MS6-WP	Mounting bracket	■	■	■	■	ms6-wp
	MS6-WPB/WPE/WPM	Mounting bracket (not shown)	■	■	■	■	ms6-wp
[4]	MS6-WB	Mounting bracket	■	■	–	–	ms6-wb
[5]	MS6-END	Cover cap	–	–	■	–	ms6-end
[6]	MS6-AEND	Mounting plate	■ ¹⁾	–	■ ¹⁾	–	ms6-aend
[7]	MS6-AG...	Connecting plate SET	–	■ ¹⁾	–	■ ¹⁾	ms6-ag
	MS6-AQ...	Connecting plate SET	–	■ ¹⁾	–	■ ¹⁾	ms6-aq
[8]	2M8/S3, SMT-8M-A...-M8D	Proximity switches	■	■	■	■	29, 53
	2M12/S3, SMT-8M-A...-M12	Proximity switches	■	■	■	■	29, 53
	2OE/S3, SMT-8M-A...-OE	Proximity switches	■	■	■	■	29, 53
[9]	NEBU-M8...-LE3/NEBU-M12...-LE4	Connecting cable	■	■	■	■	54
[10]	AD1 ... AD4	Pressure sensor SDE1 with LCD display	■	■	■	■	29
[11]	A4	Adapter for EN pressure gauge 1/4	■	■	■	■	29
[12]	MA	Pressure gauge	■	■	■	■	54
[13]	AG/RG	MS pressure gauge	■	■	■	■	29
[14]	UOS-1-LF	Silencer	■	■	■	■	51
[15]	SO, UOS-1	Silencer	■	■	■	■	51
[16]	MEB-LD	Illuminating seal	■	■	■	■	54
[17]	KMEB	Plug socket with cable	■	■	■	■	53
[18]	MSSD-EB	Plug socket	■	■	■	■	53
[19]	NEBU-M12G5	Connecting cable	■	■	■	■	54
[20]	NEBU-M12W5	Connecting cable	■	■	■	■	54

1) Module connector MS6-MV [2] or mounting bracket MS6-WP/WPB/WPE/WPM [3] is required for mounting.

Datasheet MS6-SV-D

Function



-  - Flow rate
4300 l/min
-  - Temperature range
-10 ... +50°C
-  - Operating pressure
3.5 ... 10 bar
-  - www.festo.com

The electropneumatic soft-start/quick exhaust valve is used to reduce pressure quickly and safely and to build up pressure gradually in industrial pneumatic piping systems and terminal equipment.

The MS6-SV-D has two safety functions:

- Safe exhausting
- Protection against unexpected start-up

The MS6-SV-D has a 2-channel design, i.e. it has two internal 2-way valves which can be controlled separately by pilot valves (V1 and V2) on the cover.

The directional control valves are actuated when both coils are energised simultaneously; this moves the MS6-SV-D from the normal position into the switching position. The output pressure p2 rises slowly according to the flow control setting. The main seat opens when the switch-through pressure is reached. The normal position is achieved by switching off both coils. Two proximity switches (S1 and S2) attached to the housing monitor the directional control valves. A further proximity switch (S3) can optionally be added to monitor the soft-start valve.

- Conforms to standard IEC 61508
- Switching time delay can be adjusted using a flow control valve for gradual pressure build-up; main seat opens at approx. 50% of the operating pressure
- Optional pressure sensor



The MS6-SV-D can achieve various categories and safety levels to EN ISO 13849-1 depending on whether the directional control valves are monitored.

When it is integrated appropriately in the control chain and the signals for initial position sensing are correctly linked with the control signals (plausibility checking)

- S1 and S2 Performance
Level d / Category 3 to
EN ISO 13849-1 and
EN ISO 13849-2

- S1, S2 and S3 Performance
Level e / Category 4 to
EN ISO 13849-1 and
EN ISO 13849-2
are reached.

Note

To avoid back pressures, it is recommended that the device is operated with the silencer UOS-1. The silencer can be ordered via the modular product system (SO → page 29) or as an accessory (UOS-1 → page 51).

Note

Only devices that do not impair the pneumatic protective measure of "safe exhausting" may be placed downstream of the MS6-SV-...-D. The MS6-SV-...-D is not approved for use as a press safety valve.

Datasheet MS6-SV-D

Safety data		
Conforms to	EN ISO 13849-1 and EN ISO 13849-2	
Safety function	Exhausting	
	Avoidance of unexpected start-up (pressurisation)	
Performance Level (PL)	With sensing by S1 and S2	Exhausting: category 3, PL d or category 3, PL e ¹⁾
		Avoidance of unexpected start-up (pressurisation): category 3, PL d or category 3, PL e ¹⁾
	With sensing by S1, S2 and S3	Exhausting: category 4, PL e
		Avoidance of unexpected start-up (pressurisation): category 4, PL e
Safety integrity level (SIL)	Exhausting: SIL 3	
	Avoidance of unexpected start-up (pressurisation): SIL 3	
Note on forced checking procedure	Switching frequency min. 1/month	
CE marking (see declaration of conformity) ²⁾	To EU Machinery Directive	
Shock resistance	Shock test with severity level 2 in accordance with FN 942017-5 and EN 60068-2-27	
Vibration resistance	Transport application test with severity level 2 to FN 942017-4 and EN 60068-2-6	

1) Depending on the average number of actuations per year (n_{op}).

2) Additional information: www.festo.com/catalogue/ms → Support/Downloads.

**Note**

The mechanical system is not tested in the controlled (i.e. pressurised) state.

Forced switch on/off: switching frequency should be at least once a month.

If the process-related switching frequency (safe exhausting) is less than once a month,

the machine operator must carry out a forced switch off.

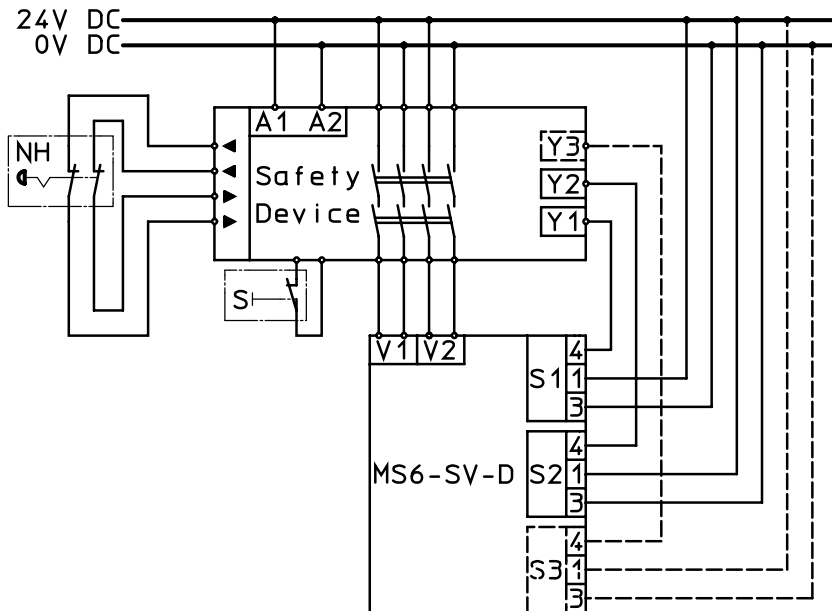
Datasheet MS6-SV-D

Switching logic	Voltage at the pilot valve		Switching position Proximity switches			Status
	V1	V2	S1	S2	S3	
Pilot valves V1 and V2 are not actuated in the normal position (MS6-SV-D completely exhausted). If both pilot valves are actuated, the MS6-SV-D switches first into switching position 1 and then, when the switch-through pressure is reached, automatically into switching position 2.	0 V	0 V	1	1	1	Normal position Pneumatic connection 1 blocked, passage from pneumatic connection 2 to 3 open
	24 V	0 V	0	1	1	Normal position Pneumatic connection 1 blocked, passage from pneumatic connection 2 to 3 open
	0 V	24 V	1	0	1	Normal position Reduced flow through flow control valve from pneumatic connection 1 to 2, passage from pneumatic connection 2 to 3 open
	24 V	24 V	0	0	1	Switching position 1 Reduced flow through flow control valve from pneumatic connection 1 to 2, passage from pneumatic connection 2 to 3 blocked
	24 V	24 V	0	0	0	Switching position 2 Full flow from pneumatic connection 1 to 2, passage from pneumatic connection 2 to 3 blocked

Proximity switch reaction times ¹⁾		
Proximity switches	Switching on	Switching off
S1	Edge change max. 4 s after voltage signal at V1.	Edge change max. 4 s after voltage drop at V1.
S2	Edge change max. 4 s after voltage signal at V2.	Edge change max. 4 s after voltage drop at V2.
S3	Edge change after voltage signal at V1 and V2. Dependent on operating pressure p1, flow control valve position and system volume p2	Edge change max. 5 s after voltage drop at V1 and V2. Depending on system volume at p2.

1) Bounce can occur when the proximity switches undergo an edge change. This bounce can be ignored by taking the reaction times into account. The maximum specified reaction times must be taken into account in the diagnostics. The reaction times are normally shorter.

Sample circuit



- A1, A2: Supply voltage
- S1: Proximity switch S1
- S2: Proximity switch S2
- S3: Proximity switch S3
- NH: Emergency stop (input circuit)
- Safety device: Safety relay unit or safety PLC
- V1: Coil connection, pilot valve V1
- V2: Coil connection, pilot valve V2
- Y1: Diagnostic input 1
- Y2: Diagnostic input 2
- Y3: Diagnostic input 3
- S: Monitored start (start circuit)

Datasheet MS6-SV-D

General technical data	
Pneumatic connection 1, 2	
Female thread	G1/2
Connecting plate AG...	G1/4, G3/8, G1/2 or G3/4
Connecting plate AQ...	1/4 NPT, 3/8 NPT, 1/2 NPT or 3/4 NPT
Pneumatic connection 3	G1
Actuation type	Electrical
Design	Piston seat
Type of mounting	Via accessories In-line installation
Mounting position	Any
Pressure indicator	Via pressure sensor for indicating the output pressure and electrical output via LCD display Via pressure gauge for displaying the output pressure Via pressure gauge with red/green scale for indicating the output pressure Prepared for G1/4
Position sensing principle	Magnetic piston principle
Valve function	3/2-way valve, closed, single solenoid Soft-start function, adjustable
Non-overlapping	No
Exhaust air function	Cannot be throttled
Manual override	None
Reset method	Mechanical spring
Type of control	Piloted
Pilot air supply	Internal
Sealing principle	Soft

† Note: this product conforms to ISO 1179-1 and ISO 228-1.

Characteristic flow rate values	
Pneumatic connection	Female thread G1/2
Standard nominal flow rate $q_{nN}^{1)}$ [l/min]	
In main flow direction 1 → 2	4300
Standard flow rate q_N [l/min], $p_2 = 6$ bar	
In exhaust direction 2 → 3	9000 ²⁾
C value [l/s*min]	
In main flow direction 1 → 2	19.3
b value	
In main flow direction 1 → 2	0.21

1) Measured at $p_1 = 6$ bar and $p_2 = 5$ bar, $\Delta p = 1$ bar

2) Measured with reference to atmosphere with silencer UOS-1.

Datasheet MS6-SV-D

Electrical data		
Pilot valve		
Characteristic coil data		24 V DC: 1.8 W; permissible voltage fluctuations -15%/+10%
Electrical connection	10V24	2x plug, 2-pin, to EN 175301-803, type C
	10V24P	2x M12x1 to ISO 20401 in line with EN 61076-2-101
Degree of protection		IP65 with plug socket
Duty cycle	[%]	100
Max. switching frequency	[Hz]	0.5
Switching time off	[ms]	40
Switching time on	[ms]	130
Proximity switches		
Nominal operating voltage	[V DC]	24
Proximity switch electrical connection	2M8	2 x cables with 1x M8 plug, 3-pin, rotatable thread, cable length 0.3 m
	2M12	2x cables with 1x M12 plug, 3-pin, rotatable thread, cable length 0.3 m
	2OE	2x cable with open end, 3-core, cable length 5 m
	2M8 + S3	3x cables with 1x M8 plug, 3-pin, rotatable thread, cable length 0.3 m
	2M12 + S3	3x cables with 1x M12 plug, 3-pin, rotatable thread, cable length 0.3 m
	2OE + S3	3x cable with open end, 3-core, cable length 5 m
Switching element function		N/O
Measuring principle		Magneto-resistive
Signal status indication		LED and switching outputs
Switching output		PNP
Operating and environmental conditions		
Operating pressure	[bar]	3.5 ... 10
Operating medium		Compressed air to ISO 8573-1:2010 [7:4:4]
Note on the operating/pilot medium		Lubricated operation possible (in which case lubricated operation will always be required)
Ambient temperature	[°C]	-10 ... +50 (0 ... +50) ¹⁾
Temperature of medium	[°C]	-10 ... +50 (0 ... +50) ¹⁾
Storage temperature	[°C]	-10 ... +50 (0 ... +50) ¹⁾
Corrosion resistance class CRC ²⁾		2
Noise level	[dB(A)]	75 (with silencer UOS-1)
CE marking (see declaration of conformity) ³⁾		To EU Machinery Directive
UL certification ³⁾		c UL us - Recognized (OL)
Certification		RCM
KC marking		KC EMC

1) With pressure sensor AD...

2) Corrosion resistance class CRC 2 to Festo standard FN 940070

Moderate corrosion stress. Indoor applications in which condensation can occur. External visible parts with primarily decorative surface requirements that are in direct contact with a normal industrial environment.

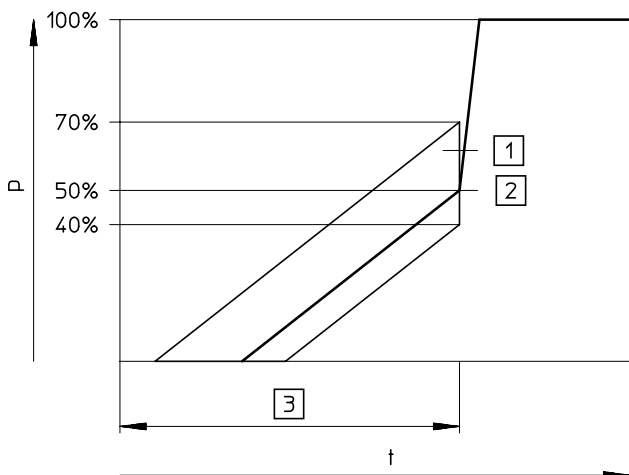
3) Additional information: www.festo.com/catalogue/ms → Support/Downloads.

Datasheet MS6-SV-D

Weight [g]	
Soft-start/quick exhaust valve	1900
Soft-start/quick exhaust valve with silencer UOS-1	2110

Materials	
Housing	Die-cast aluminium
Piston rod	High-alloy stainless steel
Seals	NBR
Note on materials	RoHS-compliant

Switching pressure

Pressure p as a function of time t 

- [1] Tolerance range
- [2] Switching point
- [3] Filling time is adjustable via a flow control valve

Note
 The +20%/–10% switching pressure tolerance refers to the operating pressure p_1 .
 Example: a switching pressure from 1.6 bar to 2.8 bar is permissible at an operating pressure of 4 bar.

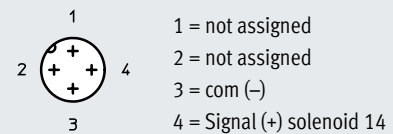
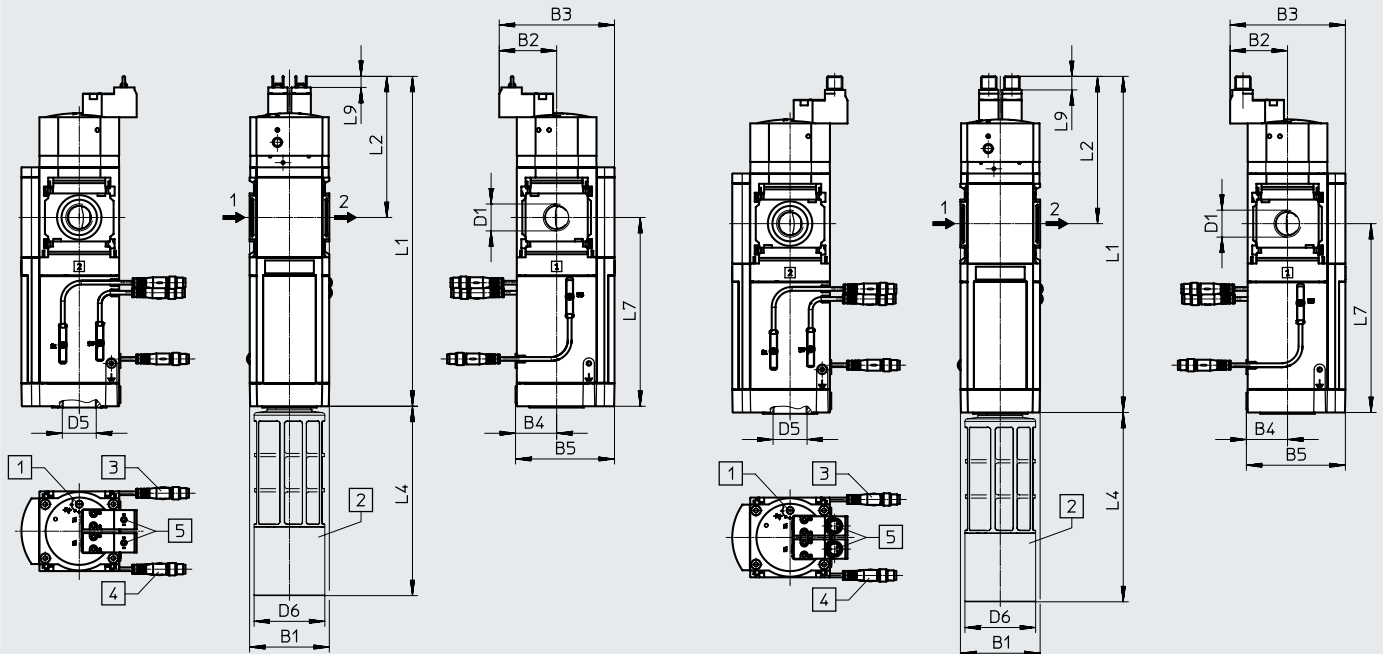
Datasheet MS6-SV-D

Dimensions – Basic version

Download CAD data → www.festo.com

With supply voltage 10V24, with female thread 1/2, with cover plate

With supply voltage 10V24P, with female thread 1/2, with cover plate



- [1] Adjusting screw for throttle valve
 - [2] Silencer UOS-1
 - [3] Extended sensing,
 - Variant S3: additional third proximity switch SMT, connection depends on the selected connection technology
 - [4] Connection technology,
 - Variant 2M8: 2 proximity switches SMT with cable (1x M8 plug, 3-pin, rotatable thread, cable length 0.3 m)
 - Variant 2M12: 2 proximity switches SMT with cable (1x M12 plug, 3-pin, rotatable thread, cable length 0.3 m)
 - Variant 20E: 2 proximity switches SMT with cable (open end, 3-core, cable length 5 m)
 - [5] Supply voltage,
 - Variant 10V24: electrical connection to EN 175301-803, 2x plugs, 2-pin, type C
 - Variant 10V24P: electrical connection 2x M12x1 to ISO 20401 in line with EN 61076-2-101, 4-pin version for connecting cable NEBU-M12
- Flow direction

Type	B1	B2	B3	B4	B5	D1	D5	D6 ∅	L1	L2	L4	L7	L9
MS6-SV-1/2-D-10V24	62	45	90	31	76	G1/2	G1	55	257	110	147	147	9
MS6-SV-1/2-D-10V24P									262	115			11

† Note: this product conforms to ISO 1179-1 and ISO 228-1.

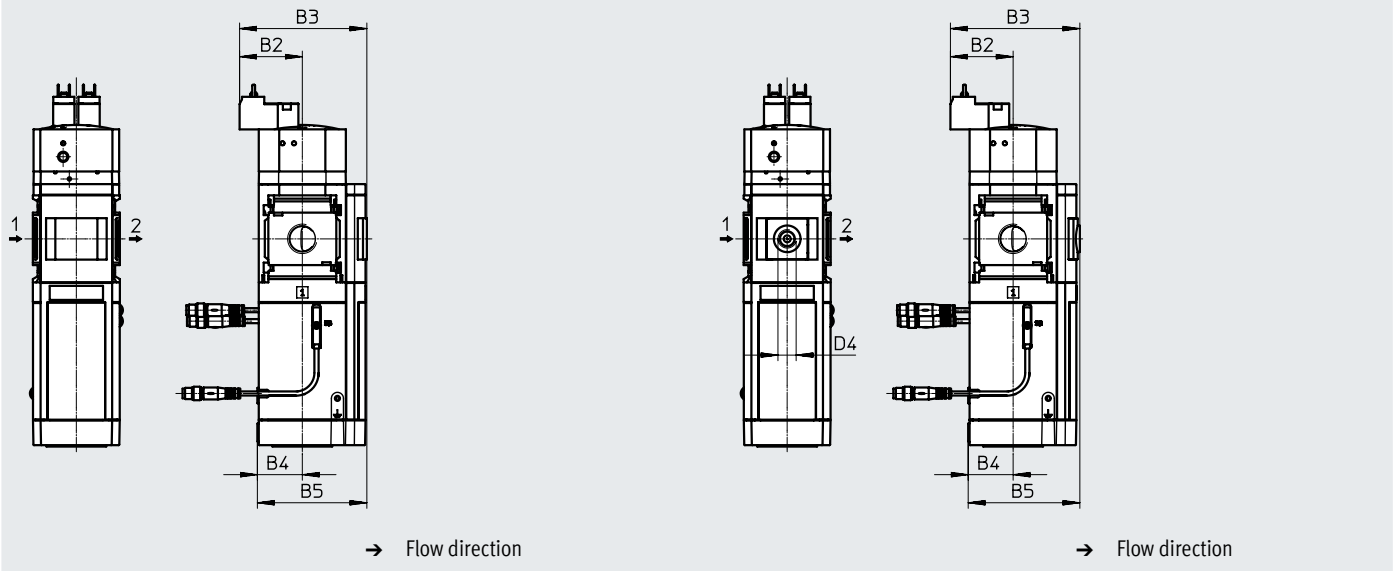
Datasheet MS6-SV-D

Dimensions – Pressure gauge/pressure gauge alternatives

Download CAD data → www.festo.com

Integrated MS pressure gauge with standard scale AG or red/green scale RG, display unit [bar]

Adapter A4 for EN pressure gauge 1/4, without pressure gauge



Type	B2	B3	B4	B5	D4
MS6-SV-...-D-...-AG	44	90	31	77	–
MS6-SV-...-D-...-RG	44	91.5	31	78.5	–
MS6-SV-...-D-...-A4	44	91.5	31	78.5	G1/4

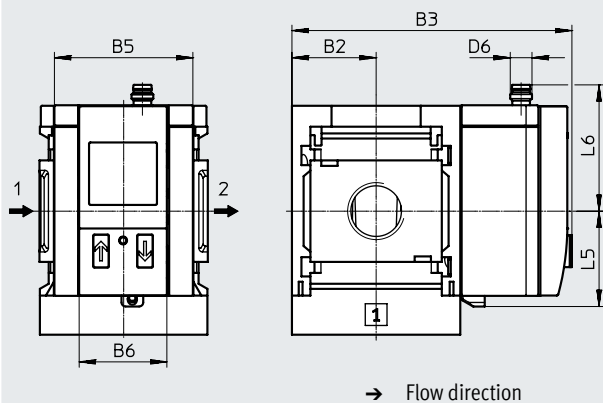
† Note: this product conforms to ISO 1179-1 and ISO 228-1.

Dimensions – Pressure sensor

Download CAD data → www.festo.com

Pressure sensor with LCD display AD1 ... AD4

Datasheets → Internet: sde1



[AD1]:
SDE1-D10-G2-MS...-L-P1-M8 with 1x 3-pin M8 plug, 1 switching output PNP

[AD3]:
SDE1-D10-G2-MS...-L-PI-M12 with 1x 4-pin M12 plug, 1 switching output PNP and 4 ... 20 mA analogue

[AD2]:
SDE1-D10-G2-MS...-L-N1-M8 with 1x 3-pin M8 plug, 1 switching output NPN

[AD4]:
SDE1-D10-G2-MS...-L-NI-M12 with 1x 4-pin M12 plug, 1 switching output NPN and 4 ... 20 mA analogue

Type	B2	B3	B4	B5	B6	D6	L5	L6
MS6-SV-...-AD1, AD2	31	103	–	51	32.3	M8x1	35.1	46.7
MS6-SV-...-AD3, AD4						M12x1		55.8

† Note: this product conforms to ISO 1179-1 and ISO 228-1.

Datasheet MS6-SV-D

Ordering data				
Size	Connection	Description	With silencer and MS pressure gauge with standard scale, display unit [bar]	
			Part no.	Type
Electrical connection to EN 175301-803 (2x plugs, 2-pin, type C), 2 proximity switches SMT with cable (1x M8 plug, 3-pin, rotatable thread, cable length 0.3 m)				
MS6	G1/2	Without silencer, with cover plate	8038489	MS6-SV-1/2-D-10V24-2M8
MS6	G1/2	With silencer and MS pressure gauge with standard scale, display unit [bar]	8038490	MS6-SV-1/2-D-10V24-2M8-SO-AG
Electrical connection to IEC 61076-2-101 (2x M12x1 plugs, 2-pin for NEBU-M12), 2 proximity switches SMT with cable (1x M12 plug, 3-pin, rotatable thread, cable length 0.3 m)				
MS6	G1/2	With silencer and MS pressure gauge with standard scale, display unit [bar]	8038491	MS6-SV-1/2-D-10V24P-2M12-SO-AG
Electrical connection to EN 175301-803 (2x plugs, 2-pin, type C), 2 proximity switches SMT with cable (open end, 3-core, cable length 5 m)				
MS6	G1/2	With silencer and MS pressure gauge with standard scale, display unit [bar]	8038492	MS6-SV-1/2-D-10V24-20E-SO-AG

Ordering data – Modular product system MS6N-SV-D

Ordering table		Conditions	Code	Enter code
Grid dimension	[mm] 62			
Module no.	548713			
Series	Standard		MS	MS
Size	6		6	6
Function	Soft-start/quick exhaust valve		-SV	-SV
Pneumatic connection	Female thread G1/2		-1/2	
	Connecting plate G1/4		-AGB	
	Connecting plate G3/8		-AGC	
	Connecting plate G1/2		-AGD	
	Connecting plate G3/4		-AGE	
	Connecting plate 1/4 NPT		-AQN	
	Connecting plate 3/8 NPT		-AQP	
	Connecting plate 1/2 NPT		-AQR	
	Connecting plate 3/4 NPT		-AQS	
Performance Level	Category 3, 2-channel to EN ISO 13849-1		-D	-D
Supply voltage	24 V DC (plug pattern to EN 175301)		-10V24	
	24 V DC, M12x1 to ISO 20401 in line with EN 61076-2-101		-10V24P	
Connection technology	2 proximity switches SMT with cable (1x M8 plug, 3-pin, rotatable thread, cable length 0.3 m)		-2M8	
	2 proximity switches SMT with cable (1x M12 plug, 3-pin, rotatable thread, cable length 0.3 m)		-2M12	
	2 proximity switches SMT with cable (open end, 3-core, cable length 5 m)		-2OE	
Extended sensing	Additional proximity switch SMT; required to achieve Performance Level e; connection depends on the selected connection technology		-S3	
Silencer	Open silencer		-S0	
Pressure gauge/pressure gauge alternatives	MS pressure gauge	[1]	-AG	
	Adapter for EN pressure gauge 1/4, without pressure gauge		-A4	
	Integrated pressure gauge, red/green scale	[1]	-RG	
	Pressure sensor SDE1 with LCD display, M8 plug, 1 switching output PNP, 3-pin	[2]	-AD1	
	Pressure sensor SDE1 with LCD display, M8 plug, 1 switching output NPN, 3-pin	[2]	-AD2	
	Pressure sensor SDE1 with LCD display, M12 plug, 1 switching output PNP, 4-pin, analogue output 4 ... 20 mA	[2]	-AD3	
	Pressure sensor SDE1 with LCD display, plug M12, 1 switching output NPN, 4-pin, analogue output 4 ... 20 mA	[2]	-AD4	
Alternative pressure gauge scale	psi	[3]	-PSI	
	MPa	[4]	-MPA	
Type of mounting	Mounting bracket standard design		-WP	
	Mounting bracket for attaching service unit components	[5]	-WPM	
	Mounting bracket for large wall gap		-WPB	
	Mounting bracket centrally at rear (wall mounting top and bottom), connecting plates not required		-WB	
UL certification	cULus, ordinary location for Canada and USA		-UL1	
Flow direction	Flow direction from right to left		-Z	

[1] **AG, RG** Pressure gauge scale in bar

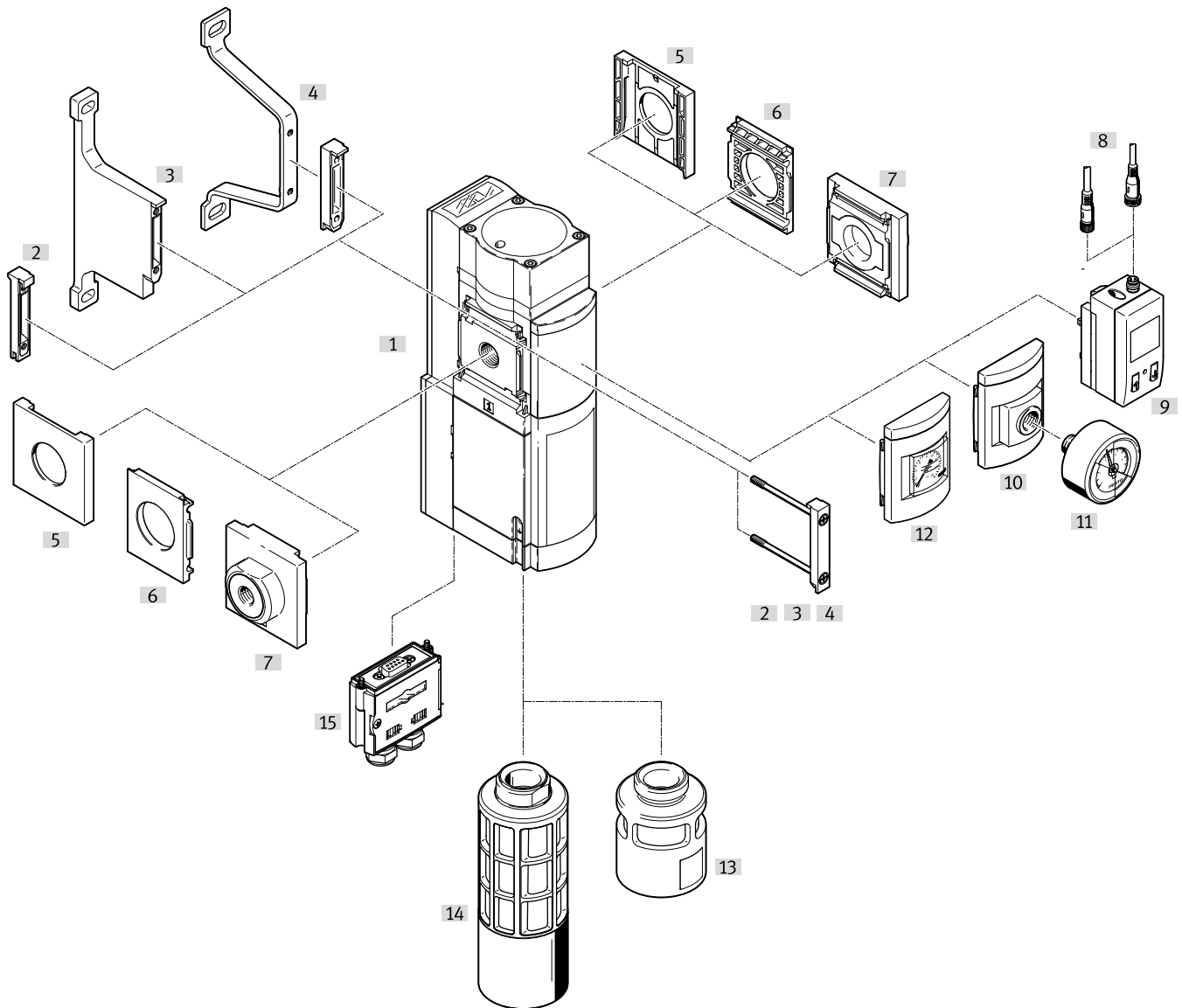
[2] **AD1 ... AD4** Measuring range max. 10 bar


[3] **PSI** Only in combination with pressure gauge AG

[4] **MPA** Only in combination with pressure gauge AG or RG

[5] **WPM** Only with connecting plate AGB, AGC, AGD, AGE, AQN, AQP, AQR or AQS

Peripherals overview MS6N-SV-E



 - **Note**
 Additional accessories:
 • Module connector for combination with size MS4/MS6 or size MS9
 → Internet: amv rmv
 • Adapter for mounting on profiles
 → Internet: ipm

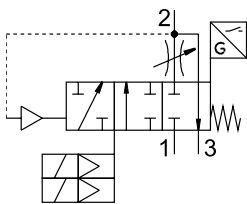
Peripherals overview MS6N-SV-E

Mounting attachments and accessories			Single device		Combination		→ Page/ Internet
			Without connecting plate	With connecting plate	Without connecting plate	With connecting plate	
[1]	MS6-SV-E	Soft-start/quick exhaust valve	■	■	■	■	32
[2]	MS6-MV	Module connector	–	–	■	■	ms6-mv
[3]	MS6-WPB	Mounting bracket	■	■	■	■	ms6-wpb
[4]	MS6-WPE	Mounting bracket	■	■	■	■	ms6-wpe
[5]	MS6-END	Cover cap	–	–	■	–	ms6-end
[6]	MS6-AEND	Mounting plate	■ ¹⁾	–	■ ¹⁾	–	ms6-aend
[7]	MS6-AG...	Connecting plate SET	–	■ ¹⁾	–	■ ¹⁾	ms6-ag
	MS6-AQ...	Connecting plate SET	–	■ ¹⁾	–	■ ¹⁾	ms6-aq
[8]	NEBU-M8...-LE3/NEBU-M12...-LE4	Connecting cable	■	■	■	■	54
[9]	AD1 ... AD4	Pressure sensor SDE1 with LCD display	■	■	■	■	39
[10]	A4	Adapter for EN pressure gauge 1/4	■	■	■	■	39
[11]	MA	Pressure gauge	■	■	■	■	54
[12]	AG/RG	MS pressure gauge	■	■	■	■	39
[13]	UOS-1-LF	Silencer	■	■	■	■	51
[14]	UOS-1	Silencer	■	■	■	■	51
[15]	NECA	Multi-pin plug socket	■	■	■	■	49

1) Module connector MS6-MV [2] or mounting bracket MS6-WPB [3] or MS6-WPE [4] is required for assembly.

Datasheet MS6-SV-E

Function



- Flow rate
4300 l/min
- Temperature range
-10 ... +50°C
- Operating pressure
3.5 ... 10 bar
- www.festo.com



The electropneumatic soft-start/quick exhaust valve is used to reduce pressure quickly and safely and to build up pressure gradually in industrial pneumatic piping systems and terminal equipment.

The device is a self-testing, redundant mechatronic system conforming to the requirements of EN ISO 13849-1. The

safety-related pneumatic protection objective of safe exhausting is also guaranteed in the event of faults inside the valve (e.g. due to wear, contamination, electronic faults). The 2-channel design and its monitoring enables the device to meet controller category 3 and 4 requirements. This

enables a Performance Level of max. "e".

The device receives the secure enable signals (EN1/EN2) via the electrical connection (multi-pin plug socket NECA Sub-D, 9-pin or AS-i connecting cable). The signals are generated by commercially available electronic or electromechanical safety switching de-

vices which monitor the protective equipment of the machine (e.g. emergency stop, light curtain, electrical door switch of a protective enclosure, etc.).

- Performance Level "e" / Category 4 to EN ISO 13849-1
- Conforms to standard IEC 61508
- Switching time delay adjustable via a flow control valve for gradual pressure build-up
- Optional pressure sensor

- **Note**
The MS6N-SV...-E-10V24 should only be used in combination with the multi-pin plug socket NECA for which it is approved.
The multi-pin plug socket can be ordered via the modular product system (MP → page 39) or as an accessory (NECA → page 49).

- **Note**
To avoid back pressures, it is recommended that the device is operated with the silencer UOS-1. The silencer can be ordered via the modular product system (SO → page 39) or as an accessory (UOS-1 → page 51).

- **Note**
Only devices that do not impair the pneumatic protective measure "safe exhausting" may be placed downstream of the MS6-SV...-E. The MS6-SV...-E is not approved for use as a press safety valve.

Safety data	
Type	MS6-SV...-E-10V24
Conforms to	EN ISO 13849-1
Safety function	Exhausting Avoidance of unexpected start-up (pressurisation)
Performance Level (PL)	Exhausting: up to category 4, PL e Prevention of unexpected start-up (pressurisation): up to category 4, PL e
Safety integrity level (SIL)	Exhausting: SIL 3 Avoidance of unexpected start-up (pressurisation): SIL 3
Note on forced checking procedure	Switching frequency min. 1/month
Certificate issuing authority ¹⁾	IFA 1001180
CE marking (see declaration of conformity) ¹⁾	To EU Machinery Directive To EU EMC Directive
Shock resistance	Shock test with severity level 2 in accordance with FN 942017-5 and EN 60068-2-27
Vibration resistance	Transport application test with severity level 2 to FN 942017-4 and EN 60068-2-6

1) Additional information: www.festo.com/catalogue/... → Support/Downloads.

- **Note**
The mechanical system is not tested in the controlled (i.e. pressurised) state.

Forced switch on/off: switching frequency should be at least once a month.

If the process-related switching frequency (safe exhausting) is less than once a month,

the machine operator must carry out a forced switch off.

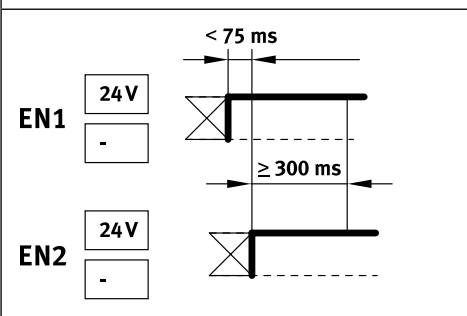
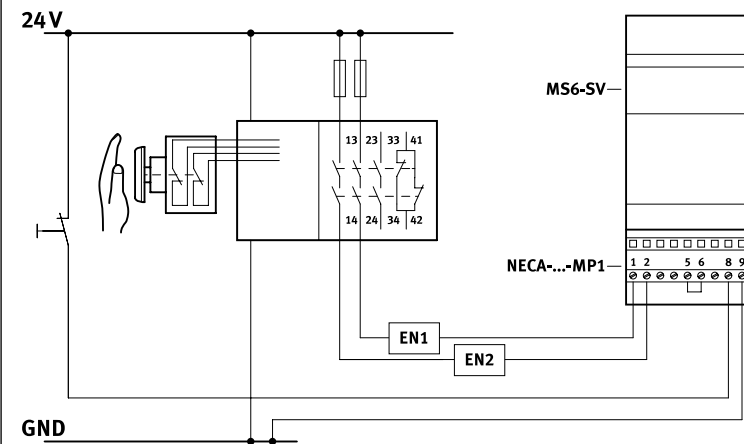
Datasheet MS6-SV-E

Operational principle of the multi-pin plug socket NECA

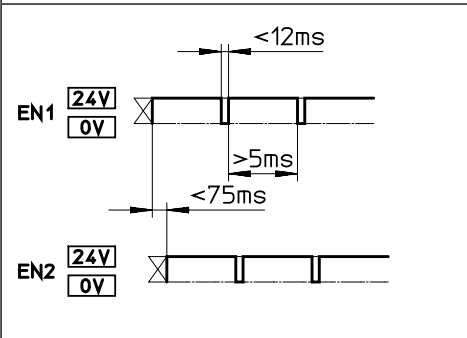
Enable signal status		Status of MS6-SV...-E-10V24 with multi-pin plug socket		
EN1	EN2	NECA-...-MP1	NECA-...-MP3	NECA-...-MP5
0 V	0 V	Unpressurised	MS6-SV...-E-10V24 switches to fault mode.	MS6N-SV...-E-10V24 does not switch to fault mode, but remains in the safe, unpressurised state. Note: Detection of cross-circuits and error detection/evaluation necessary via external controller.
0 V	24 V	MS6-SV...-E-10V24 switches to fault mode.	Pressurised	Pressurised
24 V	24 V	Pressurised	MS6-SV...-E-10V24 switches to fault mode.	MS6N-SV...-E-10V24 does not switch to fault mode, but remains in the safe, unpressurised state. Note: Detection of cross-circuits and error detection/evaluation necessary via external controller.
24 V	0 V	MS6-SV...-E-10V24 switches to fault mode.	Unpressurised	Unpressurised

MS6-SV...-E-10V24 with multi-pin plug socket NECA

NECA-...-MP1



- Static enable signals (EN1 = 24 V, EN2 = 24 V).



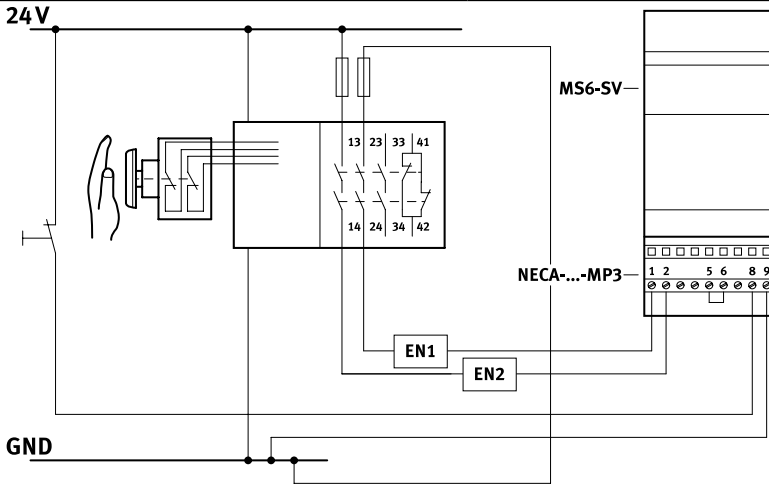
- Clocked enable signals (EN1 = 0 ... 24 V, EN2 = 0 ... 24 V) for detection of cross-circuits.
Detection of cross-circuits by clock pulse signals is always carried out by the safety relay unit/safety PLC.

Note
Since the clock pulse outputs from different controller manufacturers are not standardised, their usability must be checked in each case. If the clock pulse is outside the specified limits, the MS6N-SV...-E-10V24 detects it as an error and a safe shut-down is initiated.

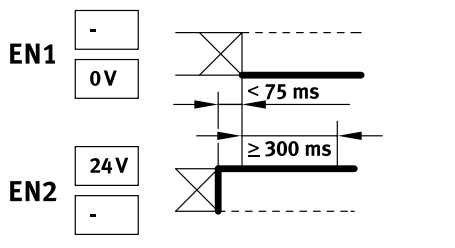
Datasheet MS6-SV-E

MS6-SV-...-E-10V24 with multi-pin plug socket NECA

NECA-...-MP3

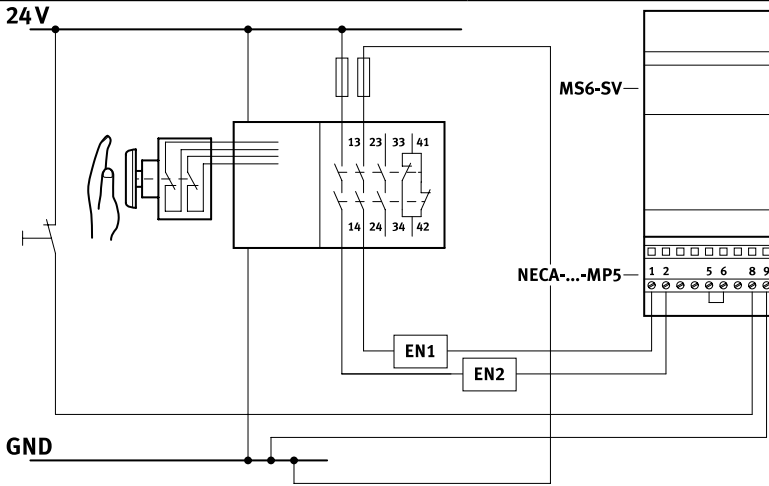


Note
The multi-pin plug socket NECA-S1G9-P9-MP3 is intended for conventional circuitry with electro-mechanical safety relays. If problems arise when used with bipolar semiconductor outputs, use the multi-pin plug socket NECA-S1G9-P9-MP5.

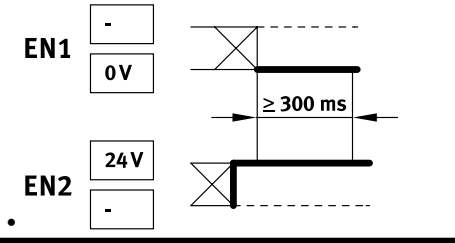


- Static enable signals with opposite potentials.
- Time delay of the level change of the enable signals is monitored.
- Behaviour on detection of a cross-circuit:
 - MS6N-SV-...-E-10V24 in exhausted state: remains in safe state and goes into error mode.
 - MS6N-SV-...-E-10V24 in pressurised state: goes into safe state and goes into error mode.

NECA-...-MP5



Note
A cross-circuit between the enable signals EN1/EN2 is not detected and does not cause an error response. The system is pressurised only if the enable signals are applied correctly.



- Static enable signals with opposite potentials.
- Time delay of the level change of the enable signals is not monitored.
- Behaviour on detection of a cross-circuit (by upstream safety relay unit/PLC):
 - MS6N-SV-...-E-10V24 in exhausted state: remains in safe state and does not go into error mode.
 - MS6N-SV-...-E-10V24 in pressurised state: goes into safe state and does not go into error mode.
- Enable signals are galvanically separated from the supply voltage.

Note
The time delay between EN1 and EN2 must be automatically determined. The duration of the delay is not evaluated.

Datasheet MS6-SV-E

General technical data	
Pneumatic connection 1, 2	
Female thread	G1/2
Connecting plate AG...	G1/4, G3/8, G1/2 or G3/4
Connecting plate AQ...	1/4 NPT, 3/8 NPT, 1/2 NPT or 3/4 NPT
Pneumatic connection 3	G1
Actuation type	Electrical
Design	Piston seat
Type of mounting	Via accessories In-line installation
Mounting position	Any
Pressure indicator	Via pressure sensor for indicating the output pressure and electrical output via LCD display Via pressure gauge for displaying the output pressure Via pressure gauge with red/green scale for indicating the output pressure Prepared for G1/4
Position sensing principle	Magnetic piston principle
Valve function	3/2-way valve, closed, single solenoid Soft-start function, adjustable
Non-overlapping	No
Exhaust air function	Cannot be throttled
Manual override	None
Reset method	Mechanical spring
Type of control	Piloted
Pilot air supply	Internal
Sealing principle	Soft

† Note: This product conforms to ISO 1179-1 and ISO 228-1.

Characteristic flow rate values	
Pneumatic connection	Female thread G1/2
Standard nominal flow rate $q_{N^{(1)}}$ [l/min]	
In main flow direction 1 → 2	4300
Standard flow rate q_N [l/min], $p_2 = 6$ bar	
In exhaust direction 2 → 3	9000 ²⁾
C value [l/s*min]	
In main flow direction 1 → 2	19.3
b value	
In main flow direction 1 → 2	0.21

1) Measured at $p_1 = 6$ bar and $p_2 = 5$ bar, $\Delta p = 1$ bar

2) Measured with reference to atmosphere with silencer UOS-1.

Electrical data	
Type	MS6-SV-...-E-10V24
Electrical connection	Sub-D 9-polig
Nominal operating voltage [V DC]	24
Permissible voltage fluctuations [%]	±10
Operating voltage range for AS-In-terface [V DC]	–
Duty cycle [%]	100
Max. switching frequency [Hz]	0.5
Switching time off [ms]	40
Switching time on [ms]	130
Signal status indication	LED and floating contact
Degree of protection	IP65 with plug socket

Datasheet MS6-SV-E

Operating and environmental conditions	
Type	MS6-SV-...-E-10V24
Operating pressure [bar]	3.5 ... 10
Operating medium	Compressed air to ISO 8573-1:2010 [7:4:4]
Note on the operating/pilot medium	Lubricated operation possible (in which case lubricated operation will always be required)
Ambient temperature [°C]	-10 ... +50 (0 ... +50) ¹⁾
Temperature of medium [°C]	-10 ... +50 (0 ... +50) ¹⁾
Storage temperature [°C]	-10 ... +50 (0 ... +50) ¹⁾
Corrosion resistance class CRC ²⁾	2
Noise level [dB(A)]	75 (with silencer UOS-1)
CE marking (see declaration of conformity) ³⁾	To EU EMC Directive
	To EU Machinery Directive
UL certification ³⁾	cUL us - Recognized (OL)
Certification	RCM
KC marking	KC EMC

1) With pressure sensor AD...

2) Corrosion resistance class CRC 2 to Festo standard FN 940070

Moderate corrosion stress. Indoor applications in which condensation can occur. External visible parts with primarily decorative surface requirements that are in direct contact with a normal industrial environment.

3) Additional information: www.festo.com/catalogue/ms → Support/Downloads.

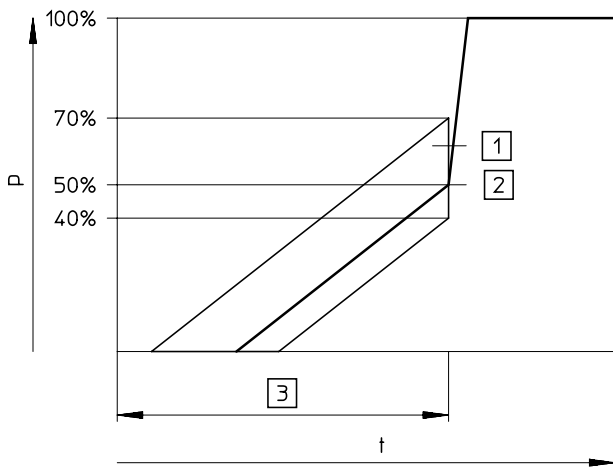
Weight [g]	
Soft-start/quick exhaust valve	2000
Soft-start/quick exhaust valve with silencer UOS-1	2200

Materials	
Housing	Die-cast aluminium
Piston rod	High-alloy stainless steel
Seals	NBR
Note on materials	RoHS-compliant

Datasheet MS6-SV-E

Switching point

Pressure p as a function of time t

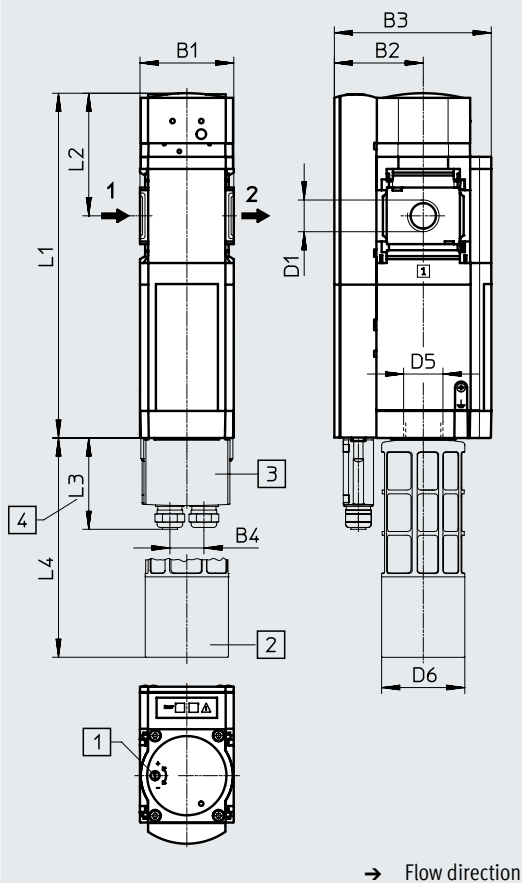


- [1] Tolerance range
- [2] Switching point
- [3] Regulating screw for flow control valve

Note
 The +20%/–10% switching point tolerance refers to the operating pressure p_1 .
 Example: A switching point from 1.6 bar to 2.8 bar is permissible at an operating pressure of 4 bar.

Dimensions – Basic version

Download CAD data → www.festo.com



- [1] Regulating screw for flow control valve
- [2] Silencer UOS-1
- [3] Multi-pin plug socket NECA
- [4] Dimension without cable

Type	B1	B2	B3	B4	D1	D5	D6	L1	L2	L3	L4
MS6-SV-1/2-E-10V24	62	59	104	23	G1/2	G1	55	228	81	61	145

Note: This product conforms to ISO 1179-1 and ISO 228-1.

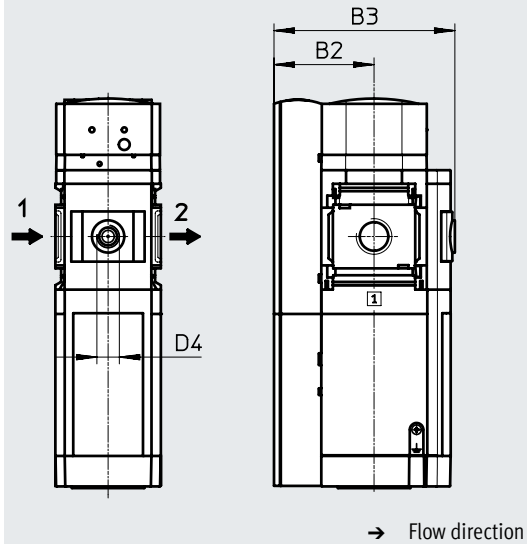
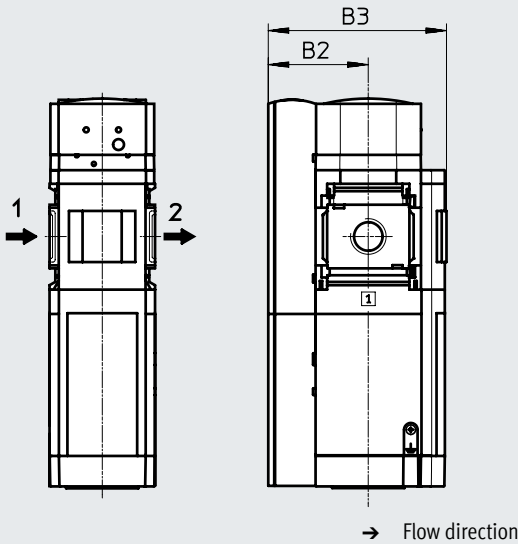
Datasheet MS6-SV-E

Dimensions – Pressure gauge/pressure gauge alternatives

Download CAD data → www.festo.com

Integrated MS pressure gauge AG with standard scale AG or red/green scale RG, display unit [bar]

Adapter A4 for EN pressure gauge 1/4, without pressure gauge



Type	B2	B3	D4
MS6-SV-...-E-...-AG	59	105	-
MS6-SV-...-E-...-RG	59	106.5	-
MS6-SV-...-E-...-A4	59	106.5	G1/4

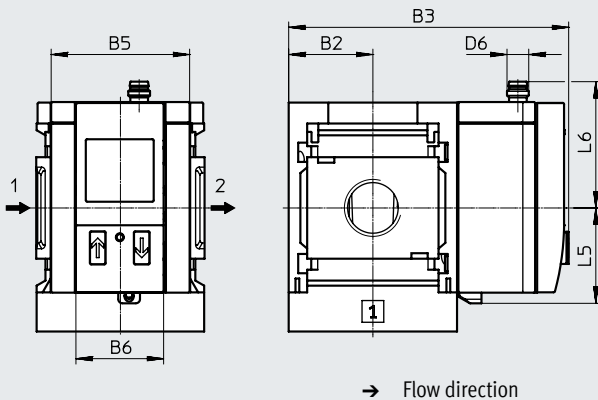
† Note: This product conforms to ISO 1179-1 and ISO 228-1.

Dimensions – Pressure sensor

Download CAD data → www.festo.com

Pressure sensor with LCD display AD1 ... AD4

Datasheets → Internet: sde1



[AD1]:
SDE1-D10-G2-MS...-L-P1-M8 with 1x 3-pin M8 plug, 1 switching output PNP

[AD3]:
SDE1-D10-G2-MS...-L-PI-M12 with 1x 4-pin M12 plug, 1 switching output PNP and 4 ... 20 mA analogue

[AD2]:
SDE1-D10-G2-MS...-L-N1-M8 with 1x 3-pin M8 plug, 1 switching output NPN

[AD4]:
SDE1-D10-G2-MS...-L-NI-M12 with 1x 4-pin M12 plug, 1 switching output NPN and 4 ... 20 mA analogue

Type	B2	B3	B4	B5	B6	D6	L5	L6
MS6-SV-...-AD1, AD2	31	103	-	51	32.3	M8x1	35.1	46.7
MS6-SV-...-AD3, AD4						M12x1		55.8

† Note: This product conforms to ISO 1179-1 and ISO 228-1.

Ordering data – Supply voltage 10V24

Size	Connection	Without silencer		With silencer	
		Part no.	Type	Part no.	Type
MS pressure gauge, display unit [bar]					
MS6	G1/2	548715	MS6-SV-1/2-E-10V24-AG	548717	MS6-SV-1/2-E-10V24-SO-AG
Pressure sensor with LCD display, M8 plug, PNP, 3-pin					
MS6	G1/2	562580	MS6-SV-1/2-E-10V24-AD1	-	-

Ordering data – Modular product system MS6N-SV-E

Ordering table		Grid dimension [mm]	62	Conditions	Code	Enter code
Module no.			548713			
Series	Standard				MS	MS
Size	6				6	6
Function	Soft-start/quick exhaust valve				-SV	-SV
Pneumatic connection	Female thread G1/2				-1/2	
	Connecting plate G1/4				-AGB	
	Connecting plate G3/8				-AGC	
	Connecting plate G1/2				-AGD	
	Connecting plate G3/4				-AGE	
	Connecting plate 1/4 NPT				-AQN	
	Connecting plate 3/8 NPT				-AQP	
	Connecting plate 1/2 NPT				-AQR	
	Connecting plate 3/4 NPT				-AQS	
Performance Level	Category 4, 2-channel with self-monitoring to ISO 13849-1				-E	-E
Supply voltage	24 V DC				-10V24	
Silencer	Open silencer				-SO	
Pressure gauge/pressure gauge alternatives	MS pressure gauge		[1]		-AG	
	Adapter for EN pressure gauge 1/4, without pressure gauge				-A4	
	Integrated pressure gauge, red/green scale		[1]		-RG	
	Pressure sensor SDE1 with LCD display, M8 plug, 1 switching output PNP, 3-pin		[2]		-AD1	
	Pressure sensor SDE1 with LCD display, M8 plug, 1 switching output NPN, 3-pin		[2]		-AD2	
	Pressure sensor SDE1 with LCD display, M12 plug, 1 switching output PNP, 4-pin, analogue output 4 ... 20 mA		[2]		-AD3	
	Pressure sensor SDE1 with LCD display, M12 plug, 1 switching output NPN, 4-pin, analogue output 4 ... 20 mA		[2]		-AD4	
Alternative pressure gauge scale	psi		[3]		-PSI	
	MPa		[4]		-MPA	
Multi-pin plug socket	Sub-D, 9-pin, screw terminal, without cable, static enable signals (EN1 = 24 V, EN2 = 24 V)				-MP1	
	Sub-D, 9-pin, screw terminal, without cable, static enable signals (EN1 = 0 V, EN2 = 24 V), Cross-circuit detection possible				-MP3	
	Sub-D, 9-pin, screw terminal, without cable, static enable signals (EN1 = 0 V, EN2 = 24 V), galvanic isolation of enable signal from the supply voltage				-MP5	
Type of mounting	Mounting bracket for large mounting spacing				-WPB	
UL certification	cULus, ordinary location for Canada and USA				-UL1	
Flow direction	Flow direction from right to left				-Z	

[1] **AG, RG** Pressure gauge scale in bar

[2] **AD1 ... AD4** Measuring range max. 10 bar

[3] **PSI** Only in combination with pressure gauge AG

[4] **MPA** Only in combination with pressure gauge AG or RG

Type codes MS9-SV

001	Series
MS	MS series

002	Size
9	Grid dimension 90 mm

003	Function
SV	Soft-start/quick exhaust valve

004	Pneumatic connection
3/4	Female thread G3/4
1	Female thread G1
AGD	Sub-base G1/2
AGE	Sub-base G3/4
AGF	Sub-base G1
AGG	Connecting plate G1 1/4
AGH	Connecting plate G1 1/2
N3/4	Female thread 3/4 NPT
N1	Female thread 1 NPT
AQR	Sub-base 1/2 NPT
AQS	Sub-base 3/4 NPT
AQT	Sub-base 1 NPT
AQU	Sub-base 1 1/4 NPT
AQV	Sub-base 1 1/2 NPT
G	Module without connecting thread, without sub-base
NG	Module without connecting thread, without sub-base (inch)

005	Performance Level
C	Category 1, 1-channel to ISO 13849-1

006	Supply voltage
10V24P	24 V DC, 10 bar, M12 plug socket adapter (connection pattern to EN 60947-5-2)
V110	110 V AC (connection pattern to EN 175301)
V230	230 V AC (connection pattern to EN 175301)
V24	24 V DC (connection pattern to EN 175301)

007	Silencer
	None
S	Silencer

008	Pressure gauge alternatives
	None
AG	MS pressure gauge
VS	Cover plate
A8	Adapter for EN pressure gauge 1/8, without pressure gauge
A4	Adapter for EN pressure gauge 1/4, without pressure gauge
RG	Integrated pressure gauge, red/green scale
AD7	Pressure sensor with switching display, M8 plug, threshold value comparator, PNP, N/O
AD8	Pressure sensor with switching display, M8 plug, threshold value comparator, PNP, N/C
AD9	Pressure sensor with switching display, M8 plug, window comparator, PNP, N/O
AD10	Pressure sensor with operational status indicator, M8 plug, window comparator, PNP, N/C

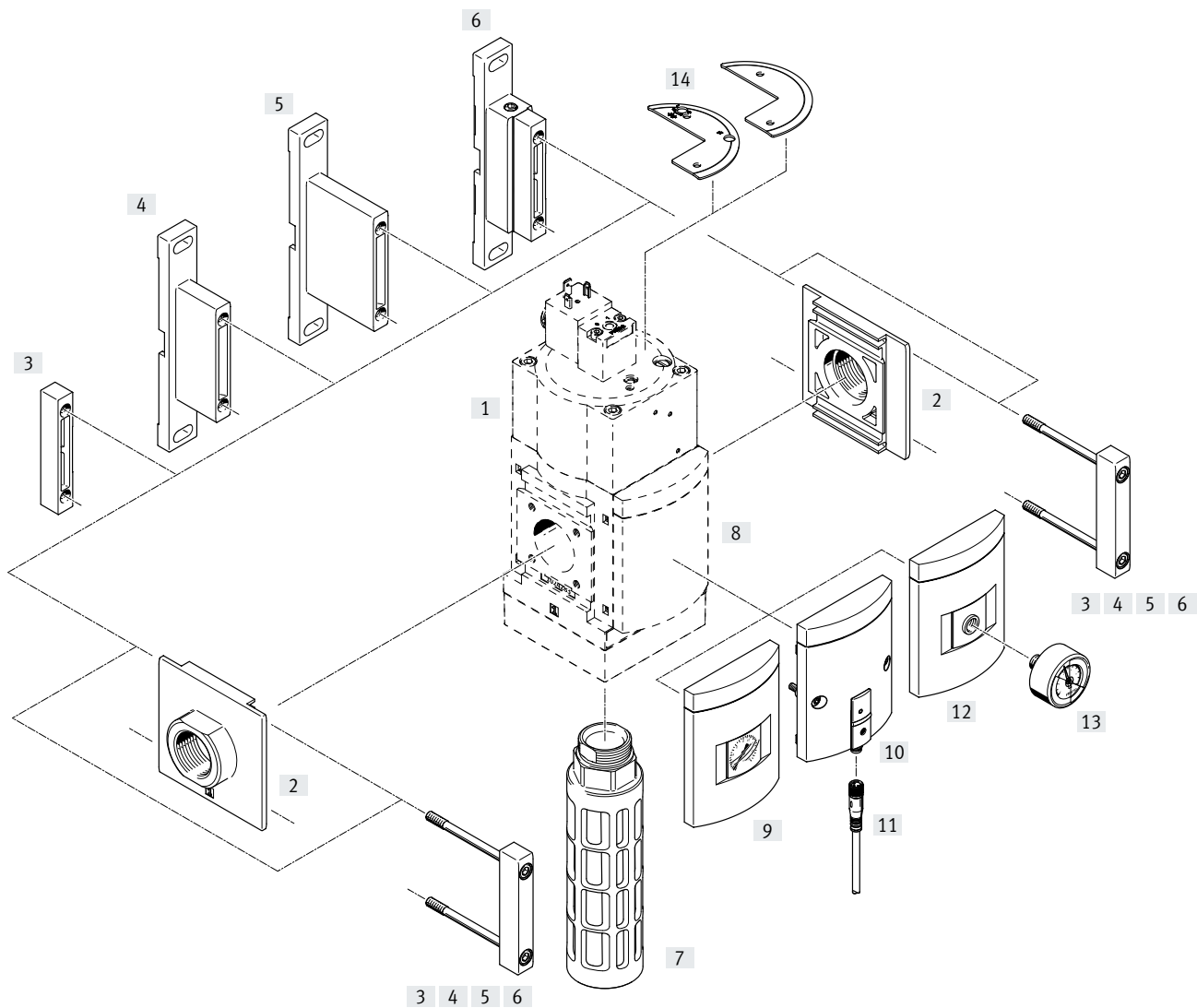
009	Alternative pressure gauge scale
	MS pressure gauge
PSI	psi
BAR	bar
MPA	MPa

010	Type of mounting
WP	Mounting bracket basic design
WPB	Mounting bracket for large wall gap
WPM	Mounting bracket for hooking in service unit components

011	Tamper protection
	None
MK	Full
MH	Without manual override

012	Flow direction
	Flow direction from left to right
Z	Flow direction from right to left

Peripherals overview MS9-SV-C

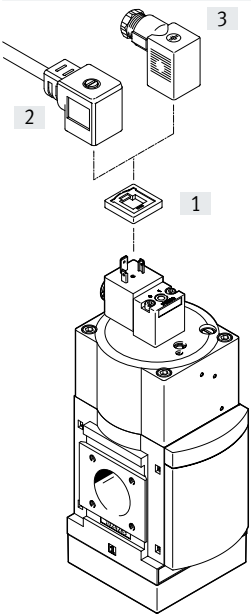


Mounting attachments and accessories

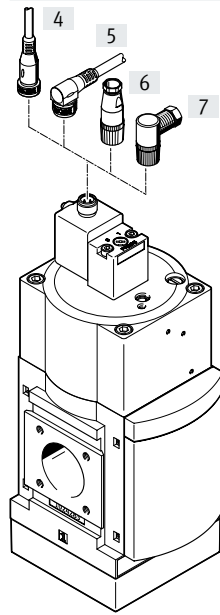
			Single device		Combination	→ Page/ Internet
			With female thread 3/4, 1, N3/4, N1	With connecting plate AG.../AQ...	Module without connect- ing thread, without connect- ing plate G, NG	
[1]	MS9-SV-C	Soft-start/quick exhaust valve	■	■	■	43
[2]	MS9-AG...	Connecting plate SET	–	■	■	ms9-ag
	MS9-AQ...	Connecting plate SET	–	■	■	ms9-aq
[3]	MS9-MV	Module connector	–	–	■	ms9-mv
[4]	MS9-WP	Mounting bracket	■	■	■	ms9-wp
[5]	MS9-WPB	Mounting bracket	■	■	■	ms9-wp
[6]	MS9-WPM	Mounting bracket	■	■	■	ms9-wp
[7]	U-1-B	Silencer	■	■	■	53
[7]	VS	Cover plate	■	■	■	48
[9]	AG/RG	MS pressure gauge	■	■	■	48
[10]	AD7 ... AD10	Pressure sensor with switching status indicator	■	■	■	48
[11]	NEBU-M8...-LE3	Connecting cable	■	■	■	54
[12]	A4	Adapter for EN pressure gauge 1/4	■	■	■	48
[13]	MA	Pressure gauge	■	■	■	54
[14]	MS9-SV-MH/MK	Covering	■	■	■	52


Peripherals overview MS9-SV-C

Supply voltage
V24, V110, V230



Supply voltage
10V24P



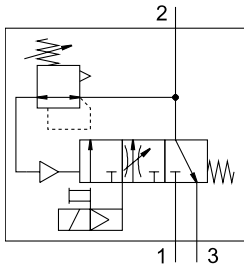
 **Note**
Additional accessories:
• Module connector for combination with size MS6, MS9 or MS12
→ Internet: rmv





Mounting attachments and accessories

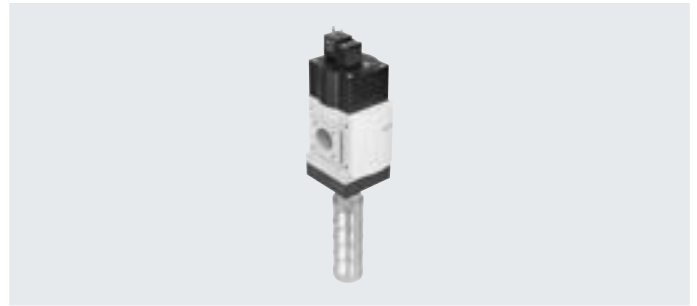
			Single device		Combination	→ Page/ Internet
			With female thread 3/4, 1, N3/4, N1	With connecting plate AG.../AQ...	Module without connect- ing thread, without connect- ing plate G, NG	
[1]	MC-LD	Illuminating seal	■	■	■	54
[2]	KMC	Connecting cable	■	■	■	53
[2]	MSSD-C	Plug socket	■	■	■	53
[4]	NEBU-M12G5	Connecting cable	■	■	■	54
[5]	NEBU-M12W5	Connecting cable	■	■	■	54
[6]	SIE-GD	Sensor socket	■	■	■	54
[7]	SIE-WD	Angled plug socket	■	■	■	54

Datasheet MS9-SV-C

Function



-  Flow rate
8300 ... 16550 l/min
-  Temperature range
0 ... +60°C
-  Operating pressure
0.35 ... 1.6 MPa
-  www.festo.com



Electropneumatic soft-start/quick exhaust valve for gradual pressurisation and quick exhausting of system components (single channel).

The main flow control valve in the end cap permits a slow build-up of output pressure p2. Once the output pressure p2 has reached the set pressure switchover point (switching pressure), the valve opens and the full operating pressure p1 is available at the output.

- Suitable for applications with a high flow rate in restricted spaces with medium safety requirements up to controller category 1, Performance Level c
- High volumetric flow rate for pressurisation and exhaust
- The filling flow rate can be set for gradual pressure build-up using a flow control valve
- Adjustable pressure switchover point
- Optional pressure sensor
- Optional cover for the control sections as tamper protection

Safety data

Conforms to	EN ISO 13849-1
Safety function	Exhausting
Performance Level (PL)	Exhausting: up to category 1, PL c
Shock resistance	Shock test with severity level 1 in accordance with FN 942017-5 and EN 60068-2-27
Vibration resistance	Transport application test with severity level 1 to FN 942017-4 and EN 60068-2-6

General technical data

Pneumatic connection 1, 2	Female thread	G3/4, G1, 3/4 NPT or 1 NPT
	Connecting plate AG...	G1/2, G3/4, G1, G1 1/4 or G1 1/2
	Connecting plate AQ...	1/2 NPT, 3/4 NPT, 1 NPT, 1 1/4 NPT or 1 1/2 NPT
	Module without connecting thread/connecting plate G/NG	–
Pneumatic connection 3	G1 (1 NPT) ¹⁾	
Actuation type	Electrical	
Design	Piston spool	
Type of mounting	Via accessories	
	In-line installation	
Mounting position	Any	
Pressure indicator	Via pressure sensor for indicating the output pressure and electrical output via switching status indicator	
	Via pressure gauge for displaying the output pressure	
	Via pressure gauge with red/green scale for indicating the output pressure	
	Prepared for G1/4	
Valve function	3/2-way valve, closed, single solenoid	
	Soft-start function, adjustable	
Exhaust air function	Cannot be throttled	
Reset method	Mechanical spring	
Type of control	Piloted	
Sealing principle	Soft	

1) Only with N3/4/N1/AQ.../NG without silencer S

† Note: This product conforms to ISO 1179-1 and ISO 228-1.

Datasheet MS9-SV-C

Electrical data		
Characteristic coil data	V24	24 V DC: 8.4 W; permissible voltage fluctuations $\pm 10\%$
	10V24P	24 V DC: 2.7 W; permissible voltage fluctuations $\pm 10\%$
	V110	110 V AC: 50/60 Hz; pick-up power 14.5 VA; holding power 10.5 VA; permissible voltage fluctuations $\pm 10\%$
	V230	230 V AC: 50/60 Hz; pick-up power 14.5 VA; holding power 10.5 VA; permissible voltage fluctuations $\pm 10\%$
Nominal operating voltage DC	[V]	110 230 24
Electrical connection	V24, V110, V230	Plug, square design to EN 175301-803, type A
	10V24P	M12x1, 4-pin, to IEC 61076-2-101, to DESINA
Degree of protection		IP65 with plug socket
Duty cycle	[%]	100

Characteristic flow rate values							
Pneumatic connection	Female thread		Connecting plate				
	3/4/N3/4	1/N1	AGD/AQR	AGE/AQS	AGF/AQT	AGG/AQU	AGH/AQV
Standard nominal flow rate $q_{nN}^{1)}$ [l/min]							
In main flow direction 1 \rightarrow 2	14150	16460	8300	13250	16340	16550	15910
Standard flow rate q_n [l/min]							
Exhaust 6 \rightarrow 0 bar with silencer S	21450	20870	21720	20900	20370	19730	19850
C value [l/s*min]							
In main flow direction 1 \rightarrow 2	57.61	69.59	31.43	54.24	68.24	68.45	66.07
In exhaust direction 2 \rightarrow 3	55.52	54.01	56.22	54.07	52.73	51.06	51.36
b value							
In main flow direction 1 \rightarrow 2	0.37	0.32	0.47	0.37	0.34	0.35	0.35
In exhaust direction 2 \rightarrow 3	0.49	0.46	0.60	0.49	0.47	0.45	0.44

1) Measured at $p_1 = 6$ bar and $p_2 = 5$ bar, $\Delta p = 1$ bar

Operating and environmental conditions				
Variance		Coil coefficient V24	Coil coefficient 10V24P	Coil coefficient V110, V230
Operating pressure	[MPa]	0.35 ... 1.6 (0.35 ... 1) ²⁾	0.35 ... 1	0.35 ... 1.6 (0.35 ... 1) ²⁾
	[bar]	3.5 ... 16 (3.5 ... 10) ²⁾	3.5 ... 10	3.5 ... 16 (3.5 ... 10) ²⁾
	[psi]	50.75 ... 232 (50.75 ... 145) ²⁾	50.75 ... 145	50.75 ... 232 (50.75 ... 145) ²⁾
Operating medium		Compressed air to ISO 8573-1:2010 [7:4:4]		
Note on the operating/ pilot medium		Lubricated operation possible (in which case lubricated operation will always be required)		
Ambient temperature	[°C]	0 ... +60 (0 ... +50) ²⁾		
Temperature of medium	[°C]	0 ... +60 (0 ... +50) ²⁾		
Storage temperature	[°C]	0 ... +60 (0 ... +50) ²⁾		
Corrosion resistance class CRC ¹⁾		2		
Noise level ³⁾	[dB(A)]	93 (with silencer S)		
CE marking (see declaration of conformity ⁴⁾)		To EU EMC Directive To EU Machinery Directive To EU RoHS Directive		
UKCA marking (see declaration of conformity ⁴⁾)		To UK EMC regulations To UK instructions for machines To UK RoHS regulations		

1) Corrosion resistance class CRC 2 to Festo standard FN 940070

Moderate corrosion stress. Indoor applications in which condensation can occur. External visible parts with primarily decorative surface requirements that are in direct contact with a normal industrial environment.

2) With pressure sensor AD...

3) Exhausting at 10 bar at a distance of 1 m.

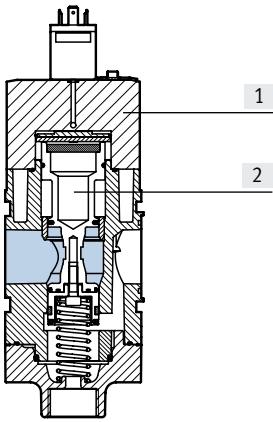
4) Additional information: www.festo.com/catalogue/MS-SV \rightarrow Support/Downloads.

Weight [g]	
Soft-start/quick exhaust valve	2970
Soft-start/quick exhaust valve with silencer S	3200

Datasheet MS9-SV-C

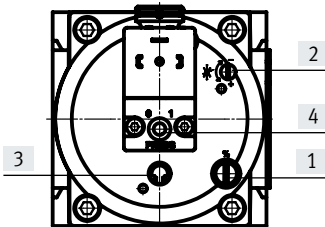
Materials

Sectional view



Soft-start/quick exhaust valve		
[1]	Housing	Die-cast aluminium
[2]	Piston spool	Brass
-	Seals	NBR
Note on materials		RoHS-compliant
LABS (PWIS) conformity		VDMA24364-B1/B2-L

Adjusting elements



- [1] Screw for adjusting the pressure switchover point
- [2] Flow control screw for adjusting the filling time
- [3] Manual override at the soft-start/quick exhaust valve:
 - detenting/self-resetting as soon as the solenoid coil or manual override at the pilot solenoid valve is actuated.
- [4] Manual override at the pilot solenoid valve:
 - non-detenting, actuation from above

Dimensions – Basic version

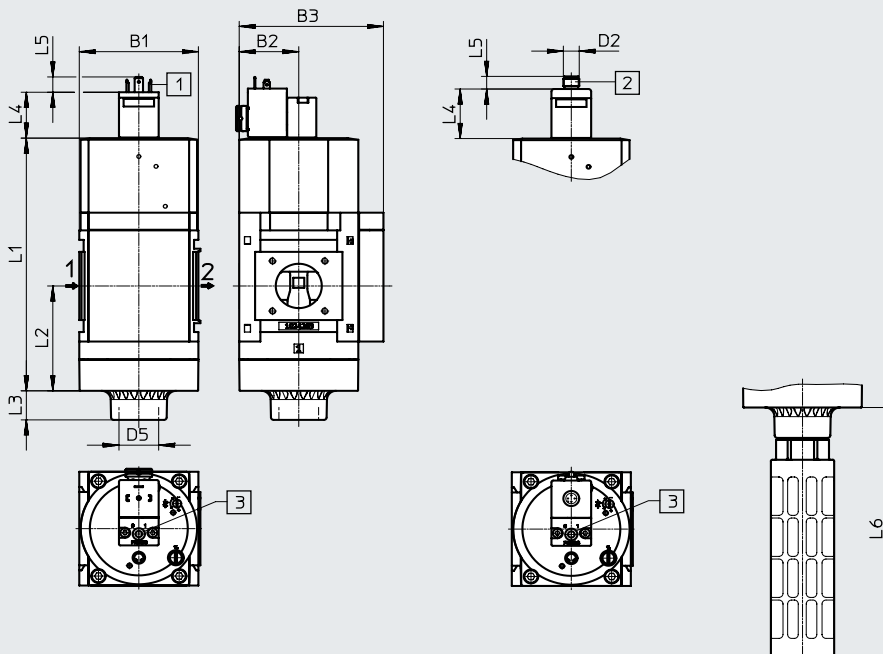
Download CAD data → www.festo.com

Module without connecting thread, without connecting plate G/NG, with cover plate VS

Supply voltage
V24/V110/V230

Supply voltage 10V24P

With silencer S



- [1] Plug connection to EN 175301-803
 - [2] Electrical connection to IEC 61076-2-101, M12x1 plug, 4-pin in accordance with DESINA
 - [3] Manual override
- Flow direction

Type	B1	B2	B3	D2	D5	L1	L2	L3	L4	L5	L6
MS9-SV-G/NG-...-V24, V110, V230	90	45	109	-	G1 (1 NPT) ¹⁾	200	83	23	36.4	12	189
MS9-SV-G/NG-...-10V24P				M12x1					39.2		

1) Only with N3/4/N1/AQ.../NG without silencer S

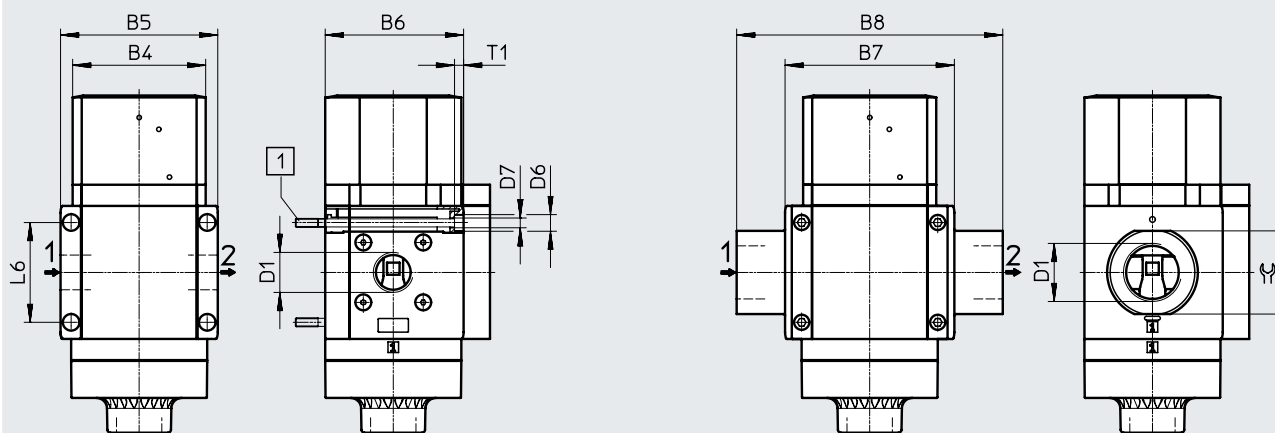
Datasheet MS9-SV-C

Dimensions – Connecting thread/connecting plate

Download CAD data → www.festo.com

With female thread 3/4, 1, N3/4, N1

With connecting plate AG.../AQ...



[1] Retaining screw M6xmin. 90 to DIN 912 (not included in the scope of delivery) for wall mounting without mounting bracket

→ Flow direction

Type	B4	B5	B6	B7	B8	D1	D6	D7	L6	T1	±ε
MS9-SV-3/4	90	104	91.5	-	-	G3/4	11	6.5	66	6	-
MS9-SV-1						G1					
MS9-SV-AGD	-	-	-	112	132	G1/2	-	-	-	-	30
MS9-SV-AGE					132	G3/4					36
MS9-SV-AGF					142	G1					41
MS9-SV-AGG					162	G1 1/4					50
MS9-SV-AGH					176	G1 1/2					55
MS9-SV-N3/4	90	104	91.5	-	-	3/4 NPT	11	6.5	66	6	-
MS9-SV-N1						1 NPT					
MS9-SV-AQR	-	-	-	112	132	1/2 NPT	-	-	-	-	30
MS9-SV-AQS					132	3/4 NPT					36
MS9-SV-AQT					142	1 NPT					41
MS9-SV-AQU					162	1 1/4 NPT					50
MS9-SV-AQV					176	1 1/2 NPT					55

† Note: This product conforms to ISO 1179-1 and ISO 228-1.

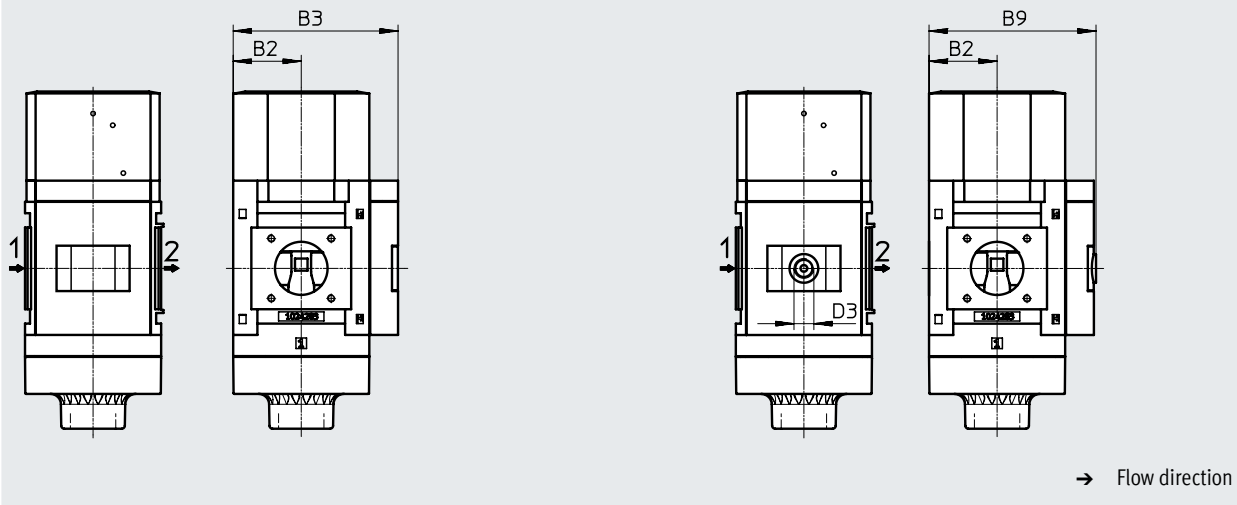
Datasheet MS9-SV-C

Dimensions – Pressure gauge/pressure gauge alternatives

Download CAD data → www.festo.com

Integrated MS pressure gauge with standard scale AG or red/green scale RG

Adapter A4 for EN pressure gauge 1/4, without pressure gauge



Type	B2	B3	B9	D3
MS9-SV-...-AG/RG	45	109	–	–
MS9-SV-...-A4		–	110	G1/4

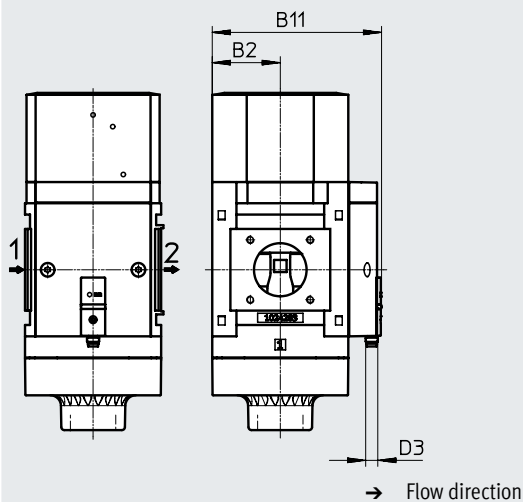
† Note: This product conforms to ISO 1179-1 and ISO 228-1.

Dimensions – Pressure gauge/pressure gauge alternatives

Download CAD data → www.festo.com

Pressure sensor with switching status indicator AD7 ... AD10

Datasheets → Internet: sde5



[AD7]:
SDE5-D10-O-...-P-M8 with 1x 3-pin M8 plug, threshold value comparator, 1 switching output PNP, N/O contact

[AD9]:
SDE5-D10-O3-...-P-M8 with 1x 3-pin M8 plug, window comparator, 1 switching output PNP, N/O contact

[AD8]:
SDE5-D10-C-...-P-M8 with 1x 3-pin M8 plug, threshold value comparator, 1 switching output PNP, N/C contact

[AD10]:
SDE5-D10-C3-...-P-M8 with 1x 3-pin M8 plug, window comparator, 1 switching output PNP, N/C contact

Type	B2	B11	D3
MS9-SV-...-AD7, AD8, AD9, AD10	45	112	M8

Ordering data

Size	With silencer	
	Part no.	Type
Cover plate		
MS9	570737	MS9-SV-G-C-V24-S-VS

Ordering data – Modular product system MS9N-SV-C

Ordering table		Grid dimension	[mm]	90	Conditions	Code	Enter code	
Module no.		562176						
Series	Standard					MS	MS	
Size	9					9	9	
Function	Soft-start/quick exhaust valve					-SV	-SV	
Pneumatic connection	Female thread G3/4					-3/4		
	Female thread G1					-1		
	Connecting plate G1/2					-AGD		
	Connecting plate G3/4					-AGE		
	Connecting plate G1					-AGF		
	Connecting plate G1 1/4					-AGG		
	Connecting plate G1 1/2					-AGH		
	Female thread 3/4 NPT					-N3/4		
	Female thread 1 NPT					-N1		
	Connecting plate 1/2 NPT					-AQR		
	Connecting plate 3/4 NPT					-AQS		
	Connecting plate 1 NPT					-AQT		
	Connecting plate 1 1/4 NPT					-AQU		
	Connecting plate 1 1/2 NPT					-AQV		
	Module without connecting thread, without connecting plate						-G	
	Module without connecting thread, without connecting plate						-NG	
Performance Level	Category 1, single-channel, to EN ISO 13849-1					-C	-C	
Supply voltage	24 V DC (plug pattern to EN 175301), 16 bar					-V24		
	24 V DC, M12 to IEC 61076-2-101, 10 bar					-10V24P		
	110 V AC (plug pattern to EN 175301), 16 bar					-V110		
	230 V AC (plug pattern to EN 175301), 16 bar					-V230		
Silencer	Silencer					-S		
Pressure gauge/pressure gauge alternatives	MS pressure gauge					-AG		
	Cover plate					-VS		
	Adapter for EN pressure gauge 1/8, without pressure gauge					-A8		
	Adapter for EN pressure gauge 1/4, without pressure gauge					-A4		
	Integrated pressure gauge, red/green scale			[1]		-RG		
	Pressure sensor with status indicator, M8 plug, threshold value comparator, PNP, N/O contact			[2]		-AD7		
	Pressure sensor with status indicator, plug M8, threshold value comparator, PNP, N/C contact			[2]		-AD8		
	Pressure sensor with status indicator, M8 plug, window comparator, PNP, N/O contact			[2]		-AD9		
Pressure sensor with status indicator, M8 plug, window comparator, PNP, N/C contact			[2]		-AD10			
Alternative pressure gauge scale	psi			[3]		-PSI		
	MPa			[3]		-MPA		
	bar			[3]		-BAR		
Type of mounting	Mounting bracket standard design			[4]		-WP		
	Mounting bracket for attaching service unit components			[4]		-WPM		
	Mounting bracket for large wall gap			[4]		-WPB		
Tamper protection	Without manual override (manual override at soft-start/quick exhaust valve blocked, setting screws open, manual override at pilot solenoid valve blocked)					-MH		
	Complete (manual override at soft-start/quick exhaust valve blocked, setting screws blocked, manual override at pilot solenoid valve blocked)					-MK		
Flow direction	Flow direction from right to left					-Z		

[1] **RG** Not with alternative pressure gauge scale PSI.

PSI scale is only an auxiliary scale (inner scale), outer scale in bar

[2] **AD7, AD8, AD9, AD10** Measuring range max. 10 bar

[3] **PSI, MPA, BAR** Only in combination with pressure gauge AG or RG

[4] **WP, WPM, WPB** Not with pneumatic connection G, NG

Accessories

Multi-pin plug socket NECA

(Order code in the modular product system: MP1/MP3/MP5)

- for soft-start/quick exhaust valve
MS6N-SV-E-10V24



Technical data	
Type of mounting	Via through-hole
Electrical connection 1	Socket, sub-D, 9-pin
Electrical connection 2	Screw terminal, 9-pin
Operating voltage range [V DC]	21.6 ... 26.4
Nominal operating voltage [V DC]	24
Acceptable current load at 40°C [A]	1.0
Connection cross section	[mm ²] 0.34 ... 1.0 without wire end sleeves
	[mm ²] 0.34 ... 0.5 with wire end sleeves
Permissible cable diameter [mm]	5.0 ... 10.0
Degree of protection to IEC 60529	IP65

Operating and environmental conditions	
Relative humidity	95%, non-condensing
Ambient temperature [°C]	0 ... +50
Storage temperature [°C]	-20 ... +70
Corrosion resistance class CRC ¹⁾	2

1) Corrosion resistance class CRC 2 to Festo standard FN 940070

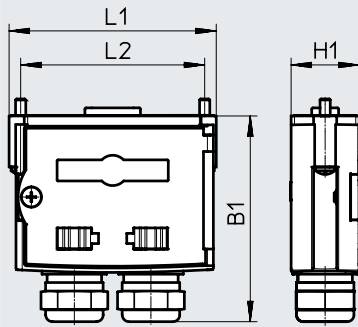
Moderate corrosion stress. Indoor applications in which condensation can occur. External visible parts with primarily decorative surface requirements that are in direct contact with a normal industrial environment.

Materials	
Housing	Reinforced PA
Screws	Steel
Union nut	Brass
Seals	NBR

Accessories

Dimensions

Download CAD data → www.festo.com



B1	H1	L1	L2
61	20	61	54.1

Ordering data

Description	Connection	Weight [g]	Part no.	Type
For MS6-SV-E-10V24	Without cable, static enable signals (EN1 = 24 V, EN2 = 24 V)	60	548719	NECA-S1G9-P9-MP1
	Without cable, static enable signals (EN1 = 0 V, EN2 = 24 V), cross-circuit detection possible	60	552703	NECA-S1G9-P9-MP3
	Without cable, static enable signals (EN1 = 0 V, EN2 = 24 V), galvanic isolation of enable signals from the supply voltage	60	573695	NECA-S1G9-P9-MP5

Accessories

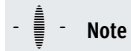
Silencer UOS-1

(Order code in the modular product system: S0)

- For soft-start/quick exhaust valve MS6-SV-D/E

Silencer UOS-1-LF

- For soft-start/quick exhaust valve MS6-SV-D/E



Note

The space-saving silencer UOS-1-LF may only be used for applications with low exhaust rates. Pneumatic connection 2 at the soft-start/quick exhaust valve MS6-SV-D/E must be reduced to G1/4 by a connecting plate MS6-AGB.



UOS-1



UOS-1-LF

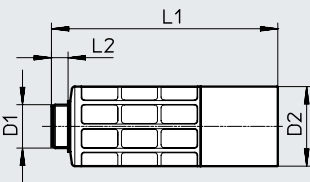
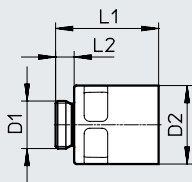
Technical data	
Pneumatic connection	G1
Design	Open silencer
Type of mounting	With male thread
Mounting position	Any
Type of seal on screwed trunnion	No seal

Operating and environmental conditions		
Operating pressure	[MPa]	0 ... 1
	[bar]	0 ... 10
Operating medium	Compressed air to ISO 8573-1:2010 [-:-:-]	
Ambient temperature	[°C]	-10 ... +50
Corrosion resistance class CRC ¹⁾	2	

1) Corrosion resistance class CRC 2 to Festo standard FN 940070

Moderate corrosion stress. Indoor applications in which condensation can occur. External visible parts with primarily decorative surface requirements that are in direct contact with a normal industrial environment.

Materials		
Type	UOS-1	UOS-1-LF
Housing	POM	Wrought aluminium alloy
Sleeve	Wrought aluminium alloy	-
Silencer insert	PU	
Note on materials	RoHS-compliant	

Dimensions		Download CAD data → www.festo.com	
Type	UOS-1	UOS-1-LF	
			

Type	D1	D2	L1	L2
UOS-1	G1	∅ 55	156.5	11.5
UOS-1-LF	G1	∅ 55	72.2	13

Ordering data		Weight [g]	Part no.	Type
Description	For MS6-SV-D/E			
	For high exhaust rate	200	552252	UOS-1
	For low exhaust rate	157.9	1901207	UOS-1-LF

Accessories

Covering MS-SV-MH/MK

(Order code in the modular product system: MH/MK)

- For soft-start/quick exhaust valve MS6/9-SV-C

Note on materials: RoHS-compliant



MS6-SV-C-MK



MS9-SV-MK



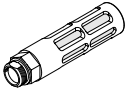
MS9-SV-MH

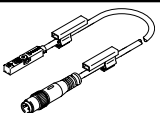
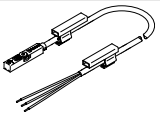
Ordering data		CRC ¹⁾	Part no.	Type
Description				
For MS6-SV-C	Tamper protection for manual override at the soft-start/quick exhaust valve, flow control screw, setting screw for pressure switchover point and manual override at the pilot solenoid valve	2	8001479	MS6-SV-C-MK
For MS9-SV-C	Tamper protection for manual override at the soft-start/quick exhaust valve, flow control screw, setting screw for pressure switchover point and manual override at the pilot solenoid valve	2	1457669	MS9-SV-MK
	Tamper protection for manual override at the soft-start/quick exhaust valve and manual override at the pilot solenoid valve	2	1457670	MS9-SV-MH

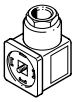
1) Corrosion resistance class CRC 2 to Festo standard FN 940070

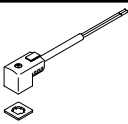
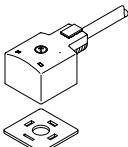
Moderate corrosion stress. Indoor applications in which condensation can occur. External visible parts with primarily decorative surface requirements that are in direct contact with a normal industrial environment.

Accessories


Ordering data – Silencer U...-B						Datasheets → Internet: u
	Description	Pneumatic connection	Order code in the modular product system	Part no.	Type	
	For MS6-SV-C	G3/4	S	6845	U-3/4-B	
	For MS9-SV-C	G1	S	151990	U-1-B	


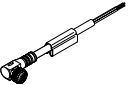
Ordering data – Proximity switch SMT								Datasheets → Internet: smt
	Description	Switching output	Switching element function	Electrical connection	Cable length [m]	Order code in the modular product system	Part no.	Type
	For MS6-SV-D	PNP	N/O	Cable with 1x M8 plug, 3-pin	0.3	2M8/S3	574334	SMT-8M-A-PS-24V-E-0.3-M8D
				Cable with 1x M12 plug, 3-pin	0.3	2M12/S3	574337	SMT-8M-A-PS-24V-E-0.3-M12
	For MS6-SV-D	PNP	N/O	Cable, 3-core	5	20E/S3	574336	SMT-8M-A-PS-24V-E-5.0-OE


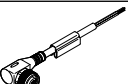
Ordering data – Plug socket MSSD						Datasheets → Internet: mssd
	Description	Electrical connection	Type of mounting for cable connection	Part no.	Type	
	For MS6-SV-C/D	3-pin	Clamping screws	151687	MSSD-EB	
		4-pin	Insulation displacement technology	192745	MSSD-EB-S-M14	
		3-pin	Clamping screws	539712	MSSD-EB-M12	
	For MS9-SV-C	3-pin	Clamping screws	34583	MSSD-C	
4-pin		Insulation displacement technology	192748	MSSD-C-S-M16		

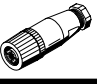
Ordering data – Plug socket with cable KMEB/Connecting cable KMC							Datasheets → Internet: kmeb, kmc
	Description	Operating voltage	Electrical connection	Switching status indication	Cable length [m]	Part no.	Type
	For MS6-SV-C/D	24 V DC	2-pin	LED	2.5	547268	KMEB-3-24-2.5-LED
				–	5	547269	KMEB-3-24-5-LED
			–	2.5	547270	KMEB-3-24-2.5	
				5	547271	KMEB-3-24-5	
		230 V AC	3-pin	LED	2.5	151688	KMEB-1-24-2.5-LED
				–	5	151689	KMEB-1-24-5-LED
			–	10	193457	KMEB-1-24-10-LED	
				2.5	151690	KMEB-1-230AC-2.5	
	For MS9-SV-C	24 V DC	3-pin	LED	2.5	30931	KMC-1-24DC-2.5-LED
					5	30933	KMC-1-24DC-5-LED
					10	193459	KMC-1-24-10-LED
		230 V AC	3-pin	–	2.5	30932	KMC-1-230AC-2.5
					5	30934	KMC-1-230AC-5


Accessories


Ordering data – Illuminating seal MEB-LD/MC-LD					Datasheets → Internet: meb, mc	
	Description	Operating voltage range		Part no.	Type	
	For plug socket with cable KMEB and plug socket MSSD-EB	12 ... 24 V DC		151717	MEB-LD-12-24DC	
		230 V DC/AC ±10%		151718	MEB-LD-230AC	
	For connecting cable KMC and plug socket MSSD-C	12 ... 24 V DC		19145	MC-LD-12-24DC	
		230 V DC/AC ±10%		19146	MC-LD-230AC	

Ordering data – Connecting cable NEBU-M8					Datasheets → Internet: nebu	
	Electrical connection	Number of wires	Cable length [m]	Part no.	Type	
	M8x1, straight socket	3	2.5	541333	NEBU-M8G3-K-2.5-LE3	
			5	541334	NEBU-M8G3-K-5-LE3	
	M8x1, angled socket	3	2.5	541338	NEBU-M8W3-K-2.5-LE3	
			5	541341	NEBU-M8W3-K-5-LE3	

Ordering data – Connecting cable NEBU-M12					Datasheets → Internet: nebu	
	Electrical connection	Number of wires	Cable length [m]	Part no.	Type	
	M12x1, straight socket	4	2.5	550326	NEBU-M12G5-K-2.5-LE4	
			5	541328	NEBU-M12G5-K-5-LE4	
	M12x1, angled socket	4	2.5	550325	NEBU-M12W5-K-2.5-LE4	
			5	541329	NEBU-M12W5-K-5-LE4	

Ordering data – Sensor socket SIE-GD				Datasheets → Internet: sie-gd	
	Electrical connection			Part no.	Type
	M12x1, 4-pin			18494	SIE-GD

Ordering data – Angled plug socket SIE-WD				Datasheets → Internet: sie-wd	
	Electrical connection			Part no.	Type
	M12x1, 4-pin			12956	SIE-WD-TR

Ordering data – Pressure gauge MA						
	Nominal size	Pneumatic connection	Display range		Part no.	Type
			[bar]	[psi]		
	Pressure gauge MA, EN 837-1					Datasheets → Internet: ma
	40	R1/4	0 ... 16	0 ... 232	187080	MA-40-16-R1/4-EN
		G1/4	0 ... 16	0 ... 232	183901	MA-40-16-G1/4-EN
	Pressure gauge MA, EN 837-1, with red/green range					Datasheets → Internet: ma
50	R1/4	0 ... 16	–	525729	MA-50-16-R1/4-E-RG	