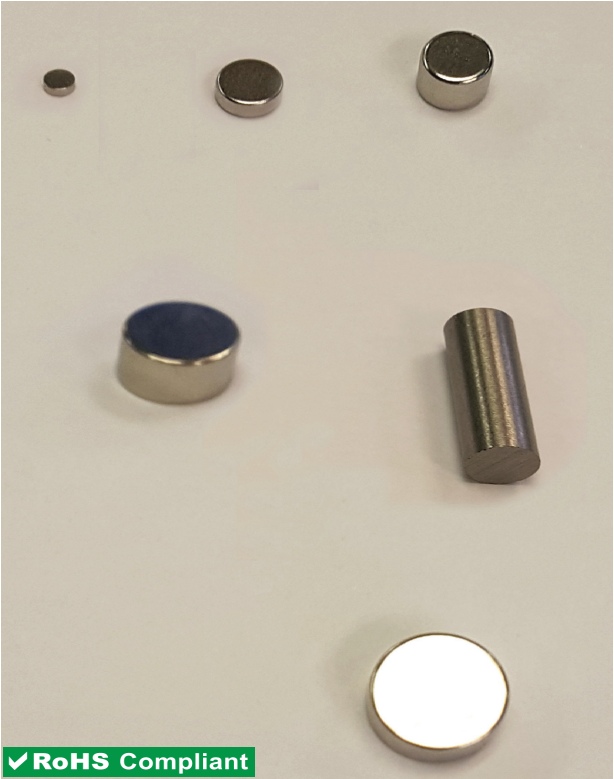
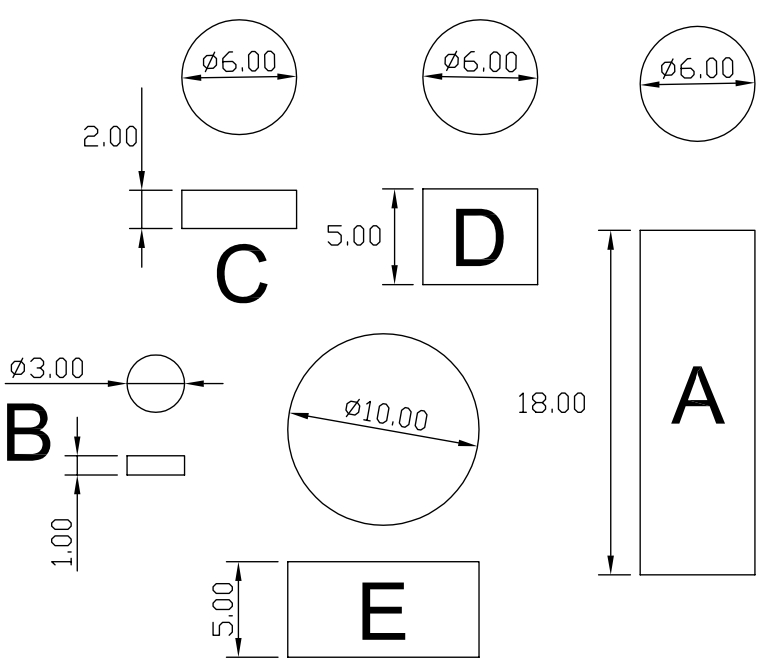


PICTURE	DIMENSIONS
	
<span style="background-color: green; color: white; padding: 2px;">✓ RoHS Compliant</span>	<p>Drawings not to scale                      All dimensions in mm nominal</p>

SPECIFICATION					
Type	A	B	C	D	E
Material	Alcomax	Neodymium N35H	Neodymium N35H	Neodymium N35H	Neodymium N35H
Size Length	18	1	2	5	5
Width mm	6	3	6	6	10
Strength Gauss	1000	1500	2500	3500	4000
Temperature (Max C)	550	130	130	130	130

Applications Include	Options
<ul style="list-style-type: none"> <li>Access control.</li> <li>Appliance switching.</li> <li>Control panel.</li> <li>Proximity switching.</li> </ul>	<ul style="list-style-type: none"> <li>Encapsulated &amp; powder coated magnets available.</li> <li>Cylindrical, ring and rectangular magnets available.</li> </ul>

**Did you know we also sell?**



Float Switches



Pressure Switches



Magnets



Proximity Switches



Reed Switches



Reed Relays



Solid State Relays

- Custom magnets from Neodymium, Samarium Cobalt, Alcomax. Plated, unplated, powder coated.
- If you do not see what you need, just ask, as there is a strong possibility we can do it !

Rev. No.	Revision Note	Date	Signature
1	Datasheet	14-01-16	ML



As part of the company policy of continued product improvement, specifications may change without notice. Our sales office will be pleased to help you with the latest information on this product range and the details of our full design and manufacturing service. All products are supplied to our standard conditions of sale unless otherwise agreed in writing.

**Phone : +44 (0)1255 862236      www.comus-intl.com      Fax: +44 (0)1255 862014**