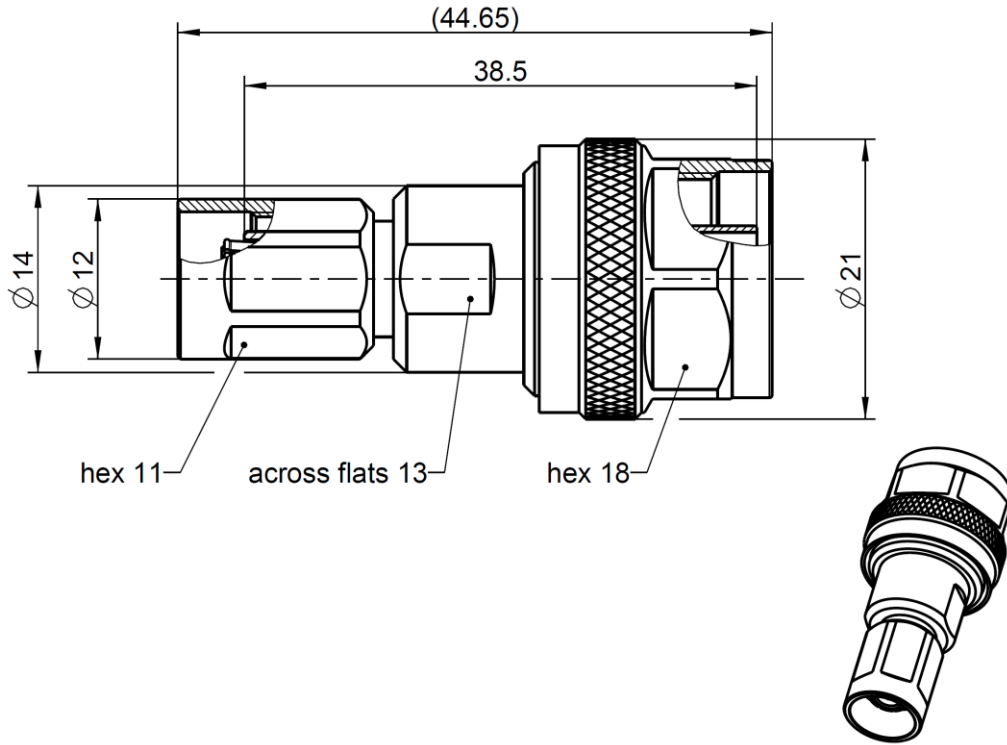


N  
NEX10     Adaptor  
             N Plug – NEX®10 Plug

53S189-S00N1



All dimensions are in mm; tolerances according to ISO 2768 m-H

**Interface**

According to	NEX10 side:	NEX10®
	N side:	IEC 61169-16, MIL-PRF-39012, CECC 22210

**Material and Plating**

Connector parts		Material	Plating
Center contact		Brass	Silver, 3-6 µm
Outer contact	N side:	Brass	White bronze(e.g. Optalloy®)
Outer contact	NEX10 side:	Spring bronze	Silver, 3-6 µm
Body		Brass	White bronze(e.g. Optalloy®)
Dielectric		PTFE	
Gasket		Silicone	

Dieses Dokument ist urheberrechtlich geschützt • This document is protected by copyright • Rosenberger Hochfrequenztechnik GmbH & Co. KG

RFB00035/12.20/6.4

**N**  
NEX10  
**Adaptor**  
N Plug – NEX®10 Plug

**53S189-S00N1**

**Electrical Data**

Impedance 50 Ω  
 Frequency DC to 11 GHz  
 Return loss ≥ 36 dB @ DC to 4 GHz  
 ≥ 28 dB @ 4 GHz to 6 GHz  
 Insertion loss ≤ 0.05 x √ f [GHz] dB  
 Insulation resistance ≥ 5 GΩ  
 Center contact resistance ≤ 2.0 mΩ, NEX10 side ≤ 1.0 mΩ, N side  
 Outer contact resistance ≤ 1.0 mΩ, NEX10 side ≤ 0.25 mΩ, N side  
 Operating voltage 500 V rms  
 RF-leakage ≥ 110 dB @ DC to 6 GHz  
 Power handling 100 W @ 2.0 GHz and 85°C ambient temperature  
 Intermodulation (3<sup>rd</sup> order) ≥ 155 dBc (2 x 43 dBm) @ 0.4 – 6.0 GHz

**Mechanical Data**

	NEX10 side	N side
Mating cycles	≥ 100	≥ 500
Recommended torque	1.5 Nm	0.7 Nm to 1.1 Nm

**Environmental Data**

Temperature range -55 °C to +125 °C operating temperature  
 Thermal shock IEC 61169-1 9.4.4  
 Vibration IEC 61169-1 9.3.3 and IEC 60068-2-64  
 Shock IEC 61169-1 9.3.14  
 Degree of protection (mated pair) IEC 60529, IP68 24h / 1m  
 RoHS compliant

**Tooling**

N/A

**Suitable Cables**

N/A

**Weight**

40 g/pc

While the information has been carefully compiled to the best of our knowledge, nothing is intended as representation or warranty on our part and no statement herein shall be construed as recommendation to infringe existing patents. In the effort to improve our products, we reserve the right to make changes judged to be necessary.

For the installation of the electrotechnical equipment, particular electrotechnical expertise is required.



Draft	Date	Approved	Date	Rev.	Engineering change number	Name	Date
F. Fraunhofer	21.04.2017	Chr. Janßen	01.02.2021	400	20-1927	B. Wollitzer	01.02.2021
Rosenberger Hochfrequenztechnik GmbH & Co. KG P.O.Box 1260 D-84526 Tittmoning Germany <a href="http://www.rosenberger.com">www.rosenberger.com</a>					Tel. : +49 8684 18-0 Email : <a href="mailto:info@rosenberger.com">info@rosenberger.com</a>		Page  2 / 2

# Mouser Electronics

Authorized Distributor

Click to View Pricing, Inventory, Delivery & Lifecycle Information:

[Rosenberger:](#)

[53S189-S00N1](#)