

# 深圳市昱申科技有限公司

## CHINA YOUNG SUN LED TECHNOLOGY CO., LTD.

TEL: (86) 755-28079401 28079402 28079403 28079404 28079405  
 FAX: (86) 755-28079407 E-mail: info@100LED.com Web: www.100LED.com

### Model No.: YSD-1100AR7B-15

#### Applications:

- ☐ Moving Message Display
- ☐ Full Color Display
- ☐ Banking Board
- ☐ Score Boards
- ☐ Digital Display

### LED Chip Absolute Maximum Ratings: (Ta=25 °C)

Itemes	Symbol	Absolute Maximum Rating	Unit
Forward current	I <sub>F</sub>	20	mA
Peak forward current (Duty Cycle= $\frac{1}{10}$ , 10KHz)	I <sub>PF</sub>	30	mA
Reverse Current (V <sub>R</sub> =5V)	I <sub>R</sub>	10	μA
Operating temp	T <sub>OPR</sub>	-25 - 85	°C
Storage temp	T <sub>STG</sub>	-30-85	°C
Peak Emission Wavelength	λ <sub>PH</sub>	644	nm

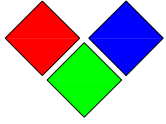
\* Soldering Bath: not more than 5 seconds @260 °C. The bottom ends of the plastic reflector should be at least 2mm above the solder surface

Soldering Iron: not more than 3 seconds @300 °C under 30W

### LED Chip Typical Electircal & Optical Characteristics: (Ta=25 °C)

ITEMS	Symbol	Condition	Min.	Typ.	Max.	Unit
Forward Voltage	V <sub>F</sub>	I <sub>F</sub> =20mA	11.6	12	12.4	v
Luminous Intensity	I <sub>v</sub>	I <sub>F</sub> =20mA	200		300	mcd
Wavelength	Δλ	I <sub>F</sub> =20mA	640	642	644	nm
Light Degradation after 1000 hours			-4.68% ~ -8.27%			

Address: 5/F, Building B, Anzhilong Indl., Qinghua East Road., Longhua Town, Shenzhen CHINA. 518109



深圳市昱申科技有限公司

CHINA YOUNG SUN LED TECHNOLOGY CO., LTD.

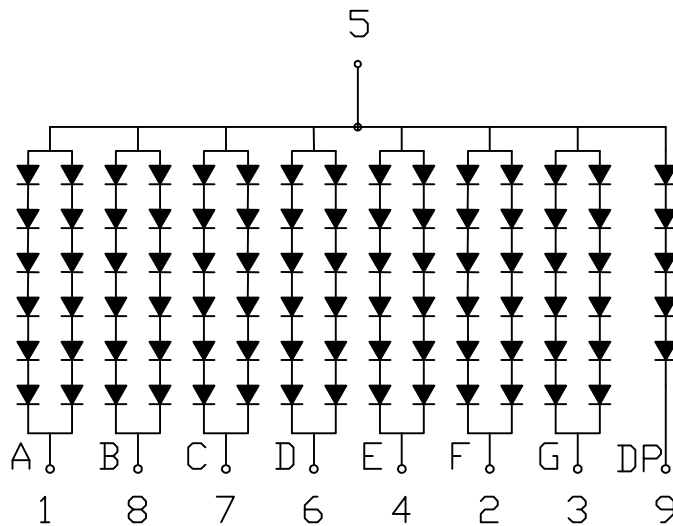
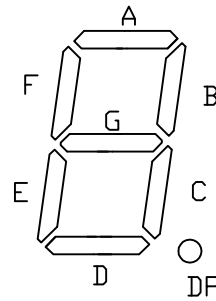
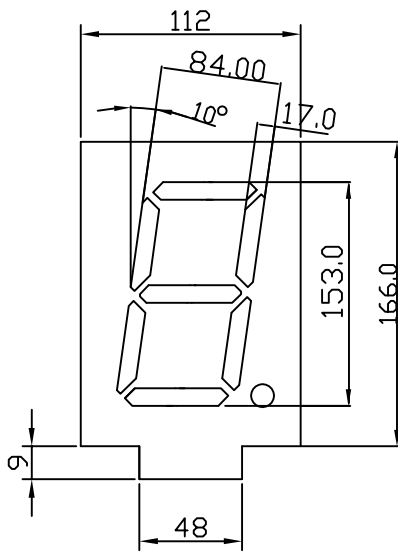
TEL: (86) 755-28079401 28079402 28079403 28079404 28079405

FAX: (86) 755-28079407 E-mail: info@100LED.com Web: www.100LED.com

### Mechanical Dimensions:

- All dimension are in mm, tolerance is  $\pm 0.2\text{mm}$  unless otherwise noted
- An epoxy meniscus may extend about 1.5mm down the leads.

Unit: mm



Address: 5/F, Building B, Anzhihong Indl., Qinghua East Road., Longhua Town, Shenzhen CHINA. 518109

[www.100LED.com](http://www.100LED.com)

ONE HUNDRED LED

PERFECT LED

# Mouser Electronics

Authorized Distributor

Click to View Pricing, Inventory, Delivery & Lifecycle Information:

[SparkFun Electronics:](#)

[COM-08530](#)