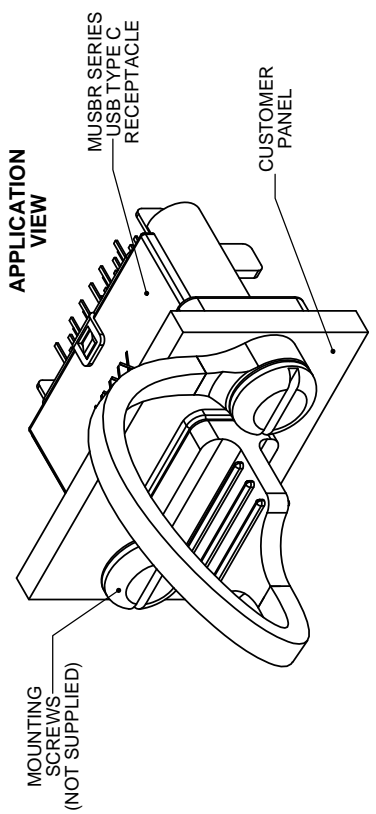
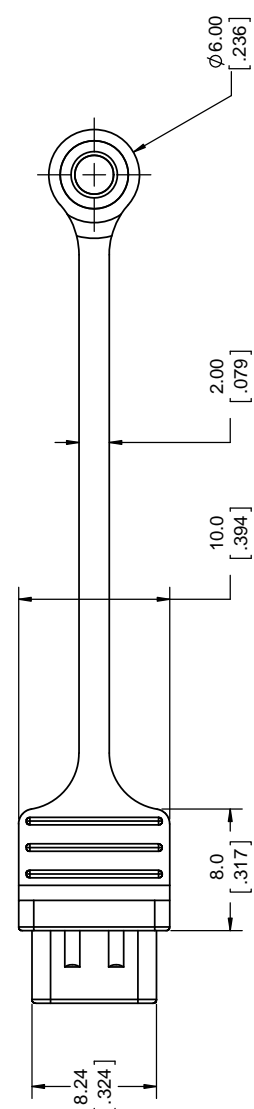
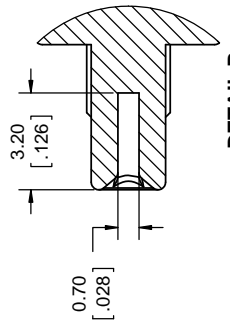
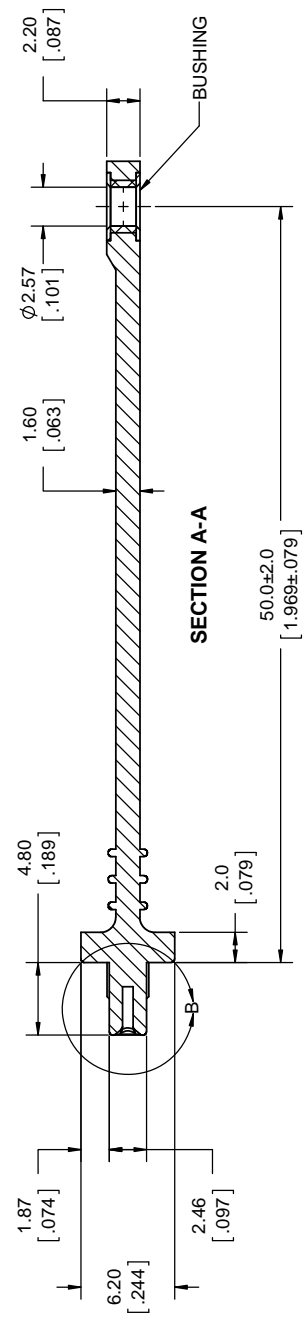
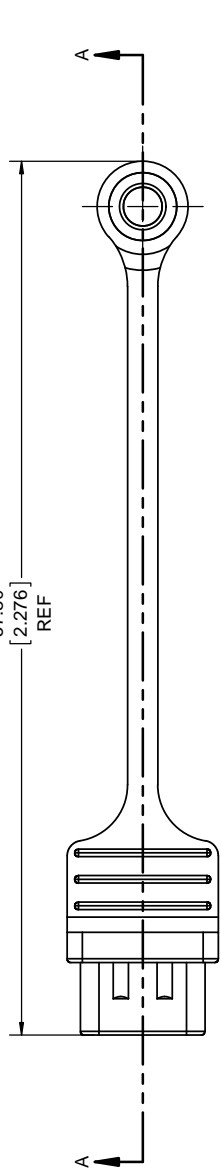


REVISIONS		
REV	DESCRIPTION, ECN, EAR NO.	DATE
A	PROPOSAL DRAWING (EAR 14368)	MAY19/15
		K.L.



PART NUMBER	COLOUR
MUSBR-2M5C-004BP	GREY
MUSBR-2M5C-014BP	BLACK

NOTES:

- MATERIAL:
 - DUST COVER: SILICONE RUBBER, SEE TABLE 1 FOR COLOUR.
 - BUSHING: BRASS, NICKEL PLATED.
- OPERATING TEMPERATURE: -40°C TO +105°C.
- PART IS RoHS COMPLIANT PER EU DIRECTIVE 2011/65/EU AND AMENDMENTS.

UNLESS SPECIFIED OTHERWISE	DRAWN	M. PAHULJE	MAY06/15
PRIMARY UNITS	MILLIMETERS	CHECKED	
SECONDARY UNITS	INCHES	M.E. APP'D	
REFERENCE	IN PARENTHESES	O.A. APP'D	
GENERAL TOLERANCES		DWG APPR.	K. LAMBIE
1 DECIMAL PLACE	±0.3	ENG. REL. NO.	
2 DECIMAL PLACES	±0.15	REF.	EAR 14368
3 DECIMAL PLACES		THIRD ANGLE PROJECTION	
ANGULAR DEGREES			

Amphenol Canada Corp. www.amphenolcanada.com	
MUSBR SERIES DUST COVER, FOR USB TYPE C RECEPTACLE, RoHS COMPLIANT	
DWG. NO.	P-MUSBR-2M5C-0X4BP
CODE ID NO.	03554
DWG. SIZE	X
SCALE	4:1
SHEET	1 OF 1

THIS DOCUMENT CONTAINS PROPRIETARY INFORMATION AND SUCH INFORMATION MAY NOT BE DISCLOSED TO OTHERS FOR ANY PURPOSE OR USED FOR MANUFACTURING PURPOSES WITHOUT WRITTEN PERMISSION FROM AMPHENOL CANADA CORP.