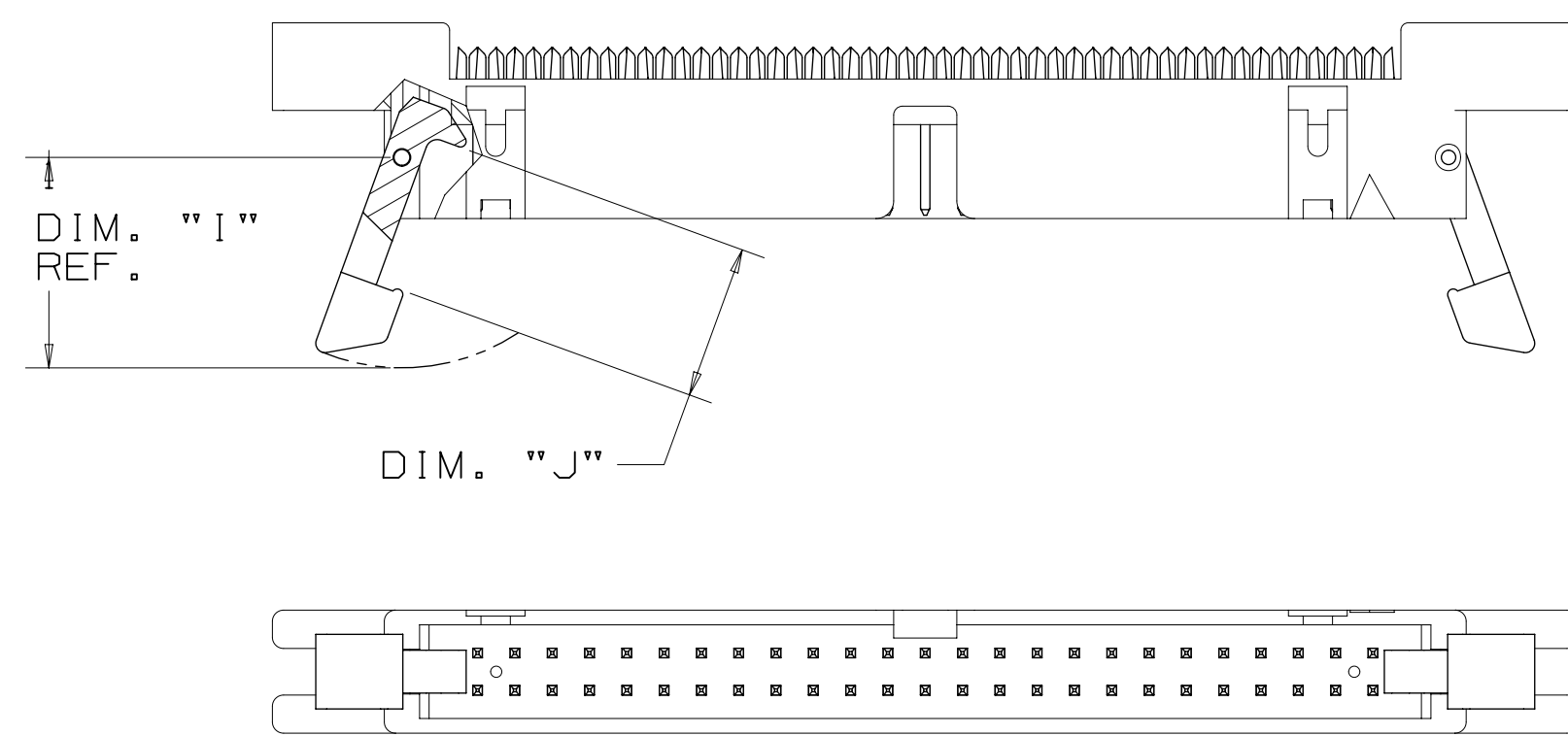
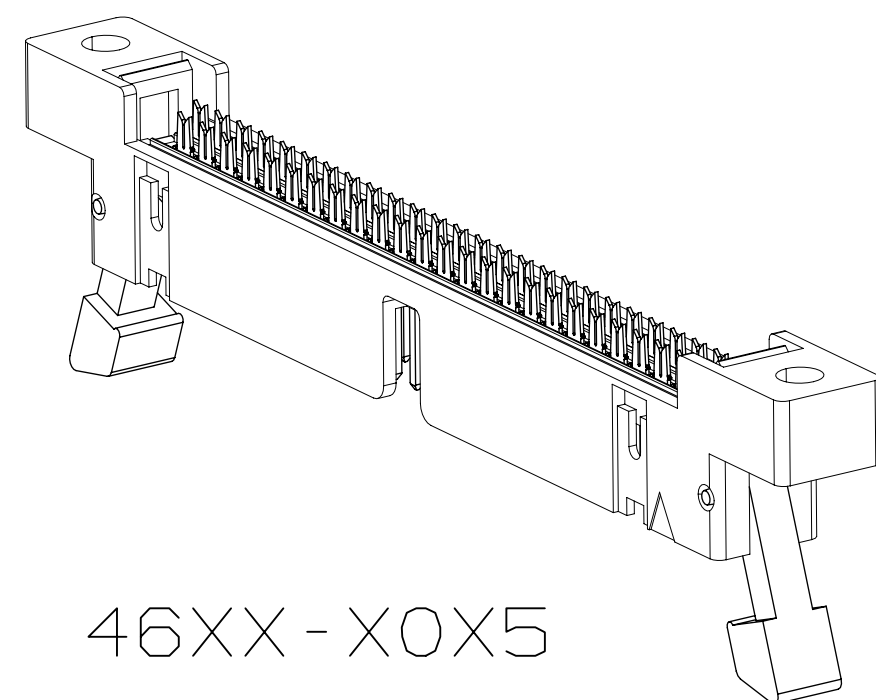
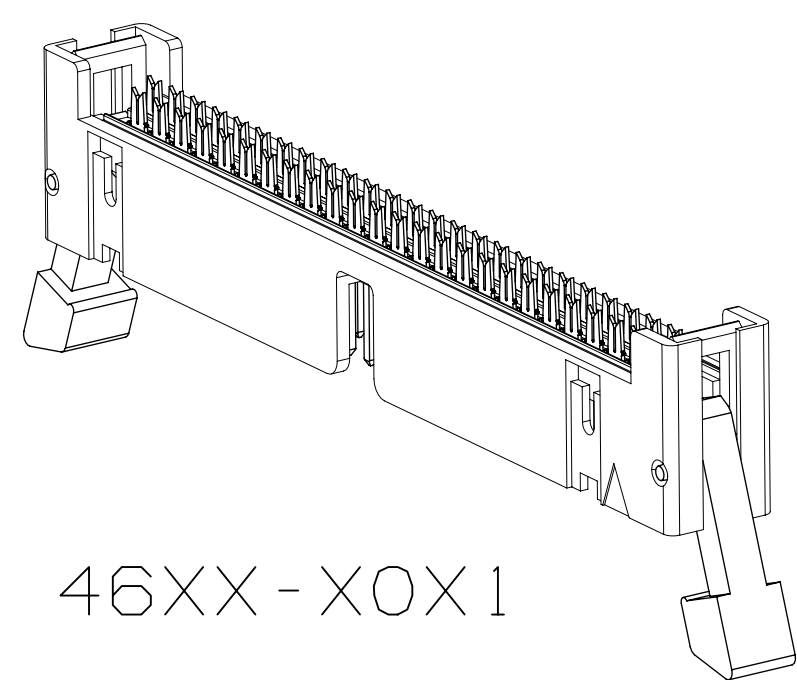
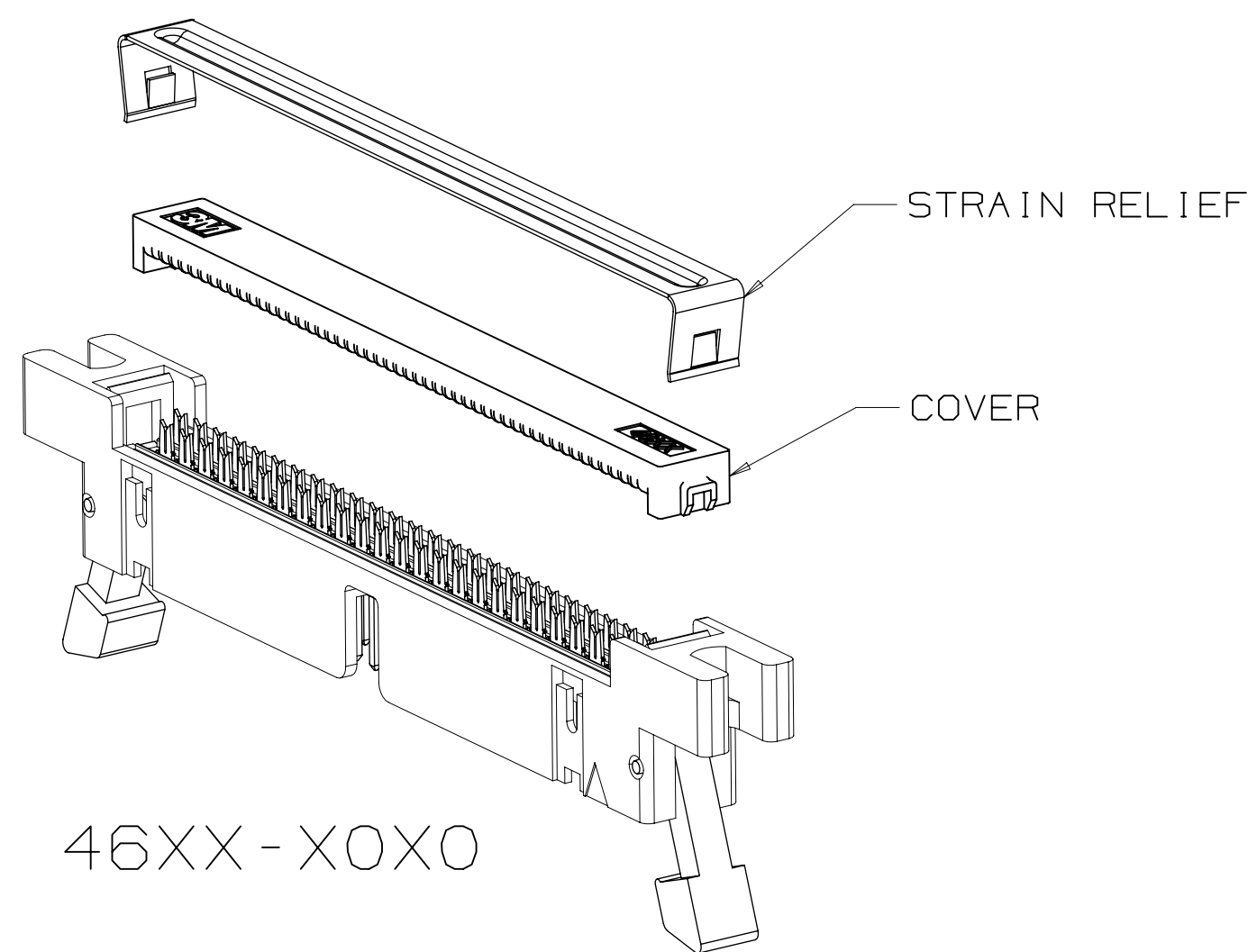


3M™ WIREMOUNT PLUG, 4600 SERIES
 .100 X .100, LATCH/EJECT CONNECTOR FOR .050" PITCH CABLE



PERFORMANCE:	
CURRENT RATING:	1.50 A, ALL CONTACTS POWERED 2.25 A, 6 CONTACTS POWERED 5.50 A, 1 CONTACT POWERED (RATING CONDITIONS: EIA-364-070, METHOD 2, 30° C MAXIMUM TEMPERATURE RISE)
UL & CUL VOLTAGE RATING:	125V _{ac}
INSULATION RESISTANCE:	> 1 × 10 ⁹ Ohms AT 500 VDC
WITHSTANDING VOLTAGE:	1000 VACrms AT SEA LEVEL
OPERATING TEMPERATURE:	-55° C TO +105° C

AGENCY LISTINGS:
 UNDERWRITERS LABORATORIES (UL): FILE No. E68080
 UL RATINGS: TEMPERATURE: 130° C VOLTAGE: 125V CURRENT: 1.0A
 CUL RATINGS: TEMPERATURE: 130° C VOLTAGE: 125V CURRENT: 1.0A

- NOTES
- REGULATORY INFORMATION:
VISIT 3M.com/regs
 - IN THE EVENT OF CONFLICT BETWEEN THIS DATA AND THAT CONTAINED IN THE PRODUCT SPECIFICATION, THE PRODUCT SPECIFICATION TAKES PRECEDENT.

PHYSICAL:

- INSULATOR: MATERIAL: GLASS FILLED POLYESTER (PBT)
FLAMMABILITY: UL94V-0
COLOR: GRAY
- CONTACT: MATERIAL: COPPER ALLOY
PLATING: UNDER PLATING: 100μ" [2.54μm] NICKEL-OVERALL
"U" SLOT: GOLD FLASH
WIPING AREA: 30μ" [0.76μm] GOLD
- WIRE ACCOMMODATION: 26 AND 28 AWG SOLID AND STRANDED
MARKINGS: 3M LOGO AND LOT NUMBER

STRAIN RELIEF
 (ORDER SEPARATELY)
 3448-46XX

ORDERING INFORMATION
 46XX-XXXX

CONTACT QTY: (SEE TABLE 1)

COVER STYLE:
 6=OPEN END (DAISY CHAINING/BUSSING STANDARD)
 7=CLOSED END (END CABLE TERMINATION)

EJECTOR/LATCH SYSTEM:
 0=NONE (STANDARD)
 2=SHORT EJECTOR LATCH (3505-16)
 3=LONG EJECTOR LATCH (3505-17)

BODY STYLE:
 0=W/MOUNTING FLANGE (STANDARD)
 1=W/OUT MOUNTING FLANGE
 5=MOUNTING FLANGE W/THREADED INSERT FROM SOCKET MATING SIDE

POLARIZATION:
 0=FOR CONTACT QTY 14 TO 64
 0=FOR NOTCH C ON 10 POSITION
 5=FOR NOTCH B ON 10 POSITION

CONTACT QTY:
 (SEE TABLE 1)

DIMENSIONS: INCH (MM)
 (MM) FOR REF. ONLY

DESIGN REFERENCE	NEXT ASSEMBLY	REV	ECO	ISSUE DATE AND DESCRIPTION	DRFT	CHKD
		E	96508	APR 08, 2021 ADD U-SLOT GOLD FLASH NOTE	JNC	SAN
		D	94220	FEB 11, 2021 REVISED AND REDRAWN	JNC	SAN

DESIGNER	CHECKED	DATE	APPROVED	DATE
CASTIGLIONE		FEB 10, 2021	S. NEU	FEB 10, 2021

DO NOT SCALE DRAWING	SCALE	TOLERANCES EXCEPT AS NOTED
	2/1	INCHES: .00 ±.01 .000 ±.005 .0000 ±.0002
THIRD ANGLE PROJECTION		MILLIMETERS: 0 ± .0 ± .00 ± 0.00 ±

TITLE	CAGE NUMBER	SIZE	DRAWING NO.	REV.
WIREMOUNT PLUG CONN., LATCH/EJECT, .100 X .100	D	78-5100-0086-8	E	

MODEL	DEF	LISTS	YES	NO	SHT	1 OF 4
4600						

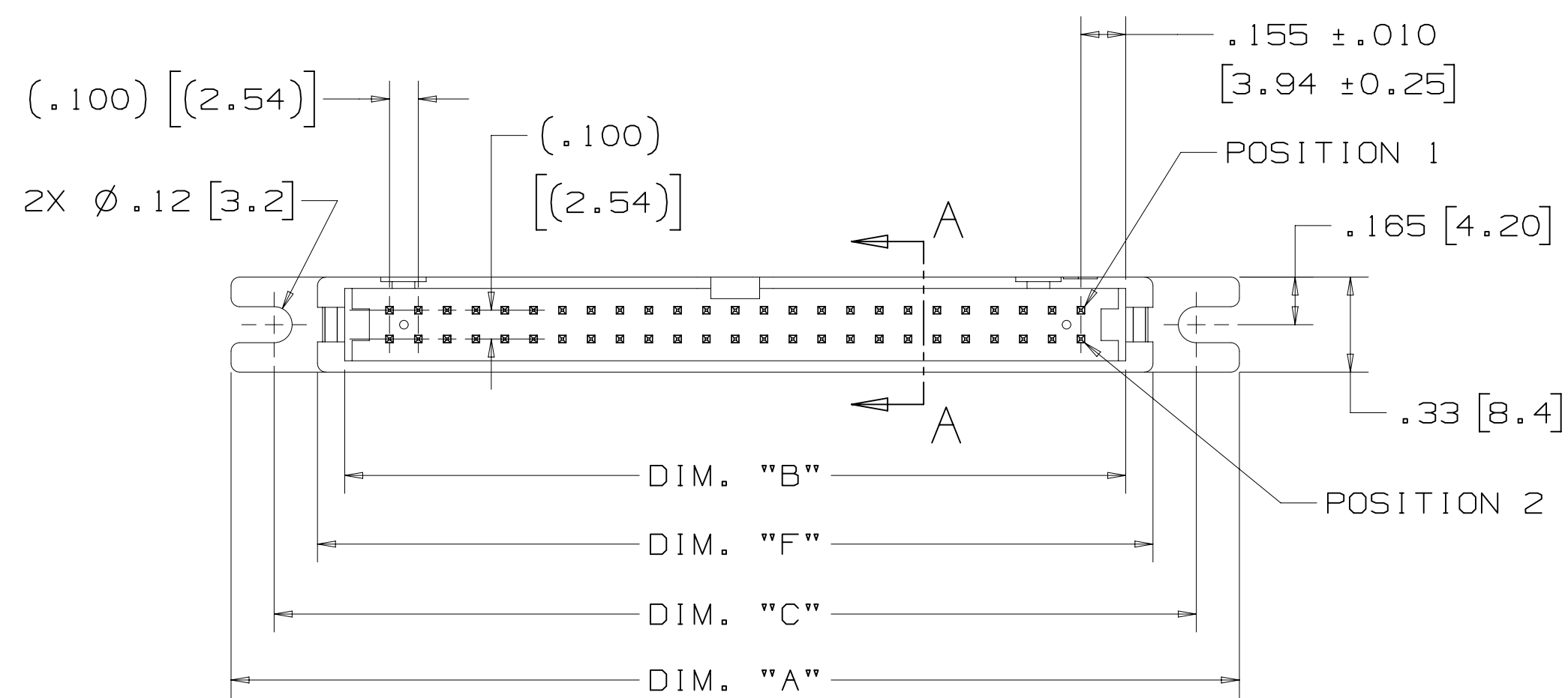
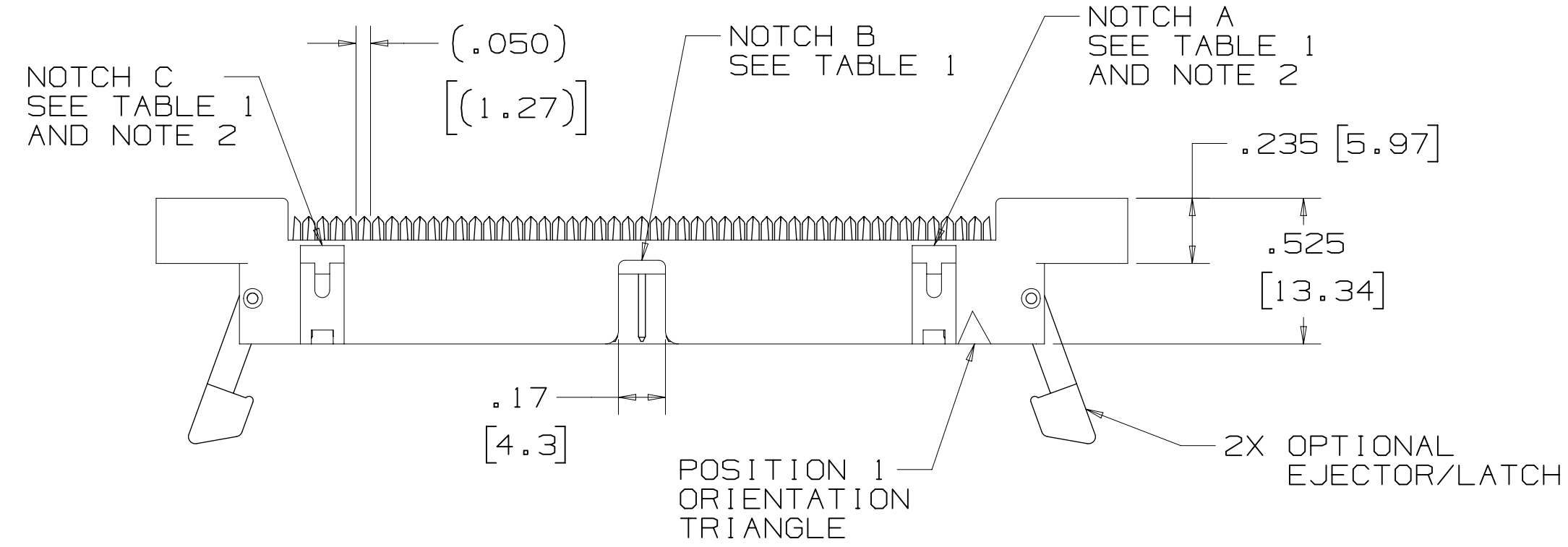
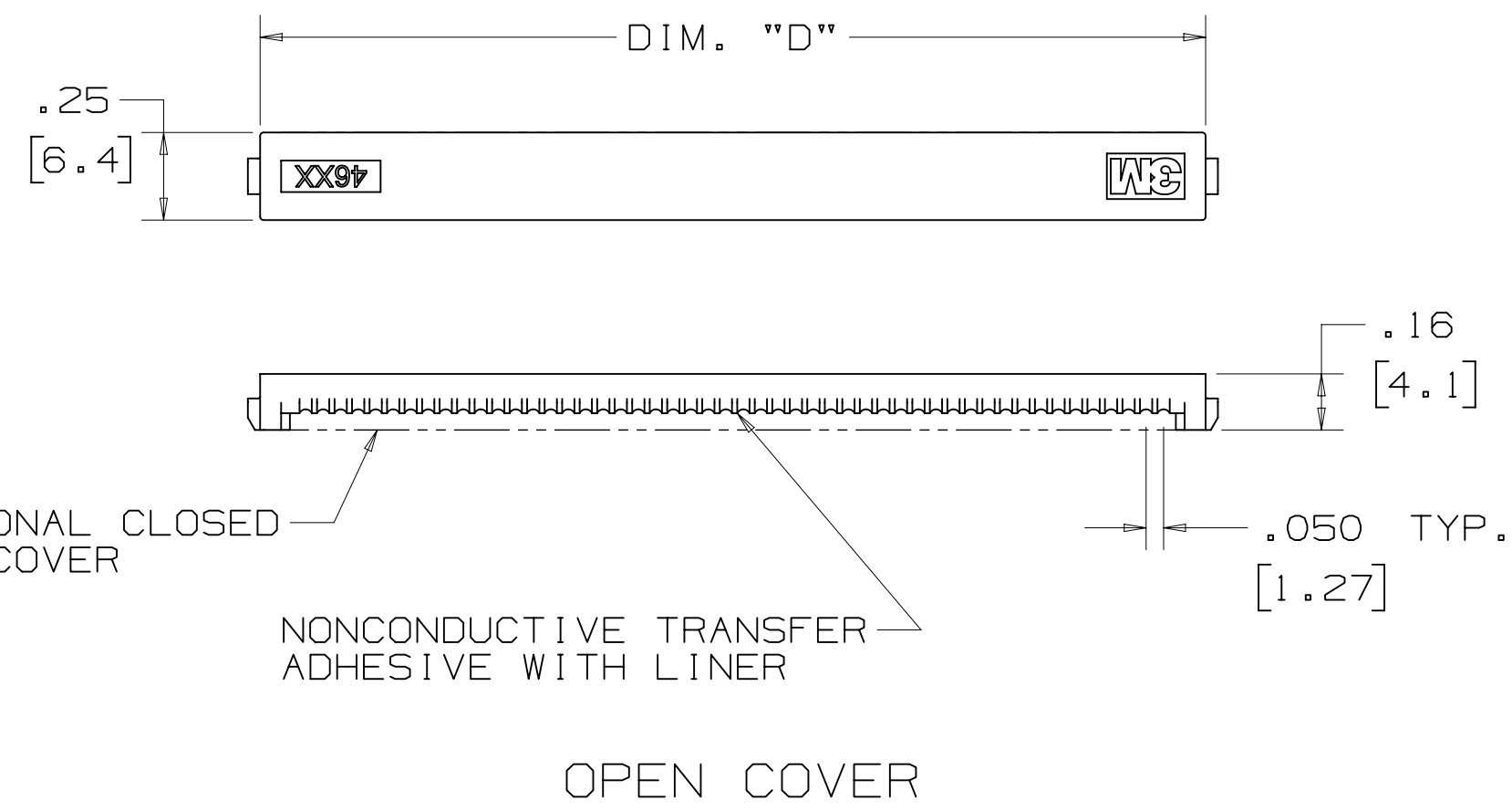
3M ELECTRONICS MATERIALS SOLUTIONS DIVISION
 INTERCONNECT SOLUTIONS
<http://www.3M.com/interconnect>
 3M IS A TRADEMARK OF 3M COMPANY.
 FOR TECHNICAL, SALES OR ORDERING
 INFORMATION CALL 800-225-5373

ASSEMBLY TOOLS:
 3M™ PRESS 3640 (OR EQUIVALENT),
 3M™ LOCATOR PLATE 3443-96,
 3M™ PLATTEN 3442-9

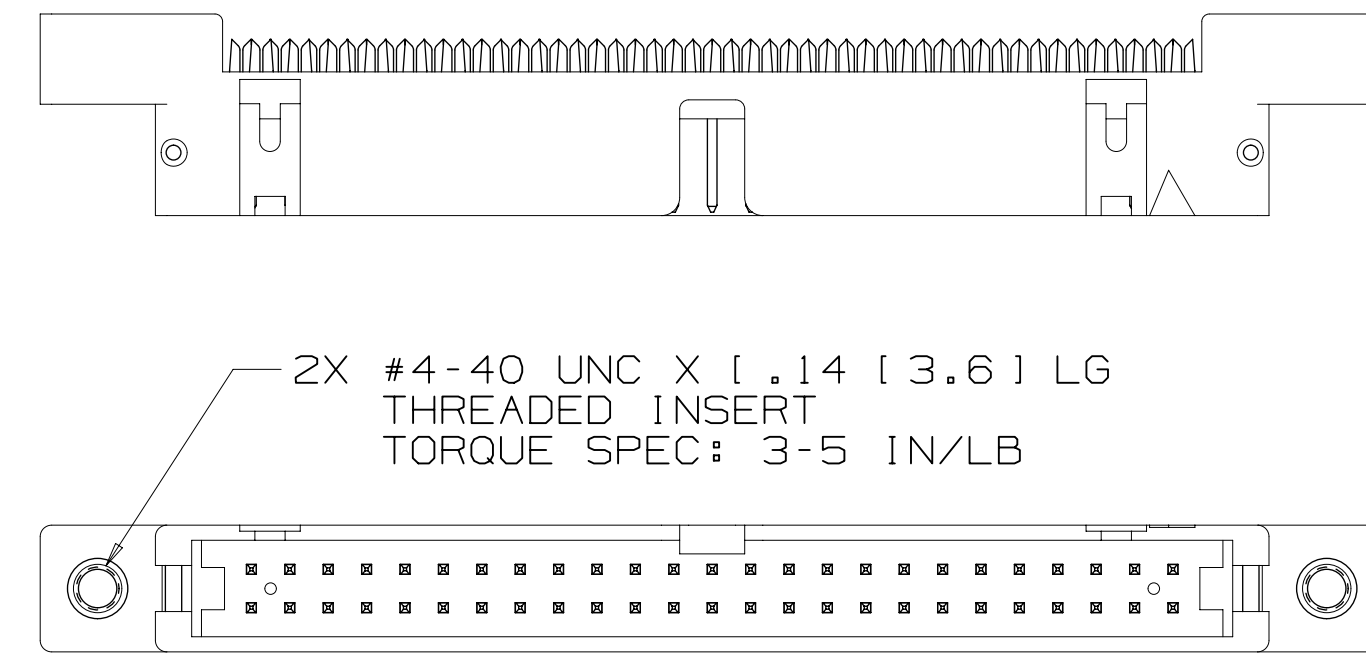
3M **us**
 UL FILE NO: E68080

78-5100-0086-8
 DRAWING NUMBER
 E
 REVISION
 B
 A
 Time 4/8/2021 11:48:00 AM
 UTC Offset (hrs) 6
 Image: Central Standard

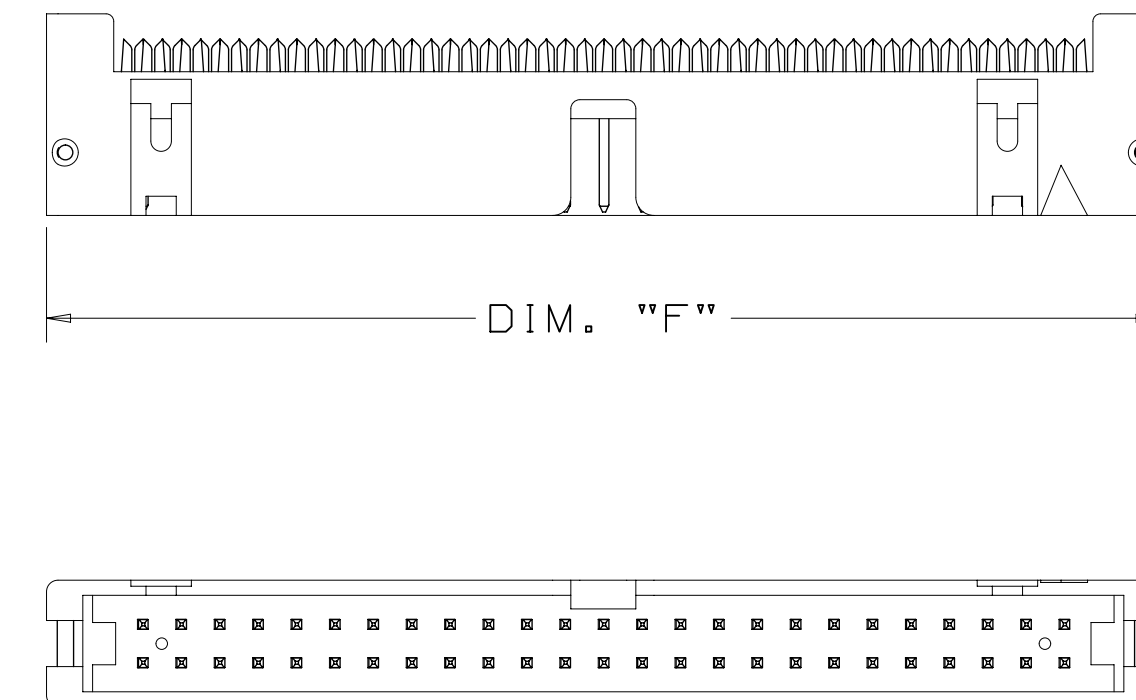
3M™ WIREMOUNT PLUG, 4600 SERIES
 .100 X .100, LATCH/EJECT CONNECTOR FOR .050" PITCH CABLE



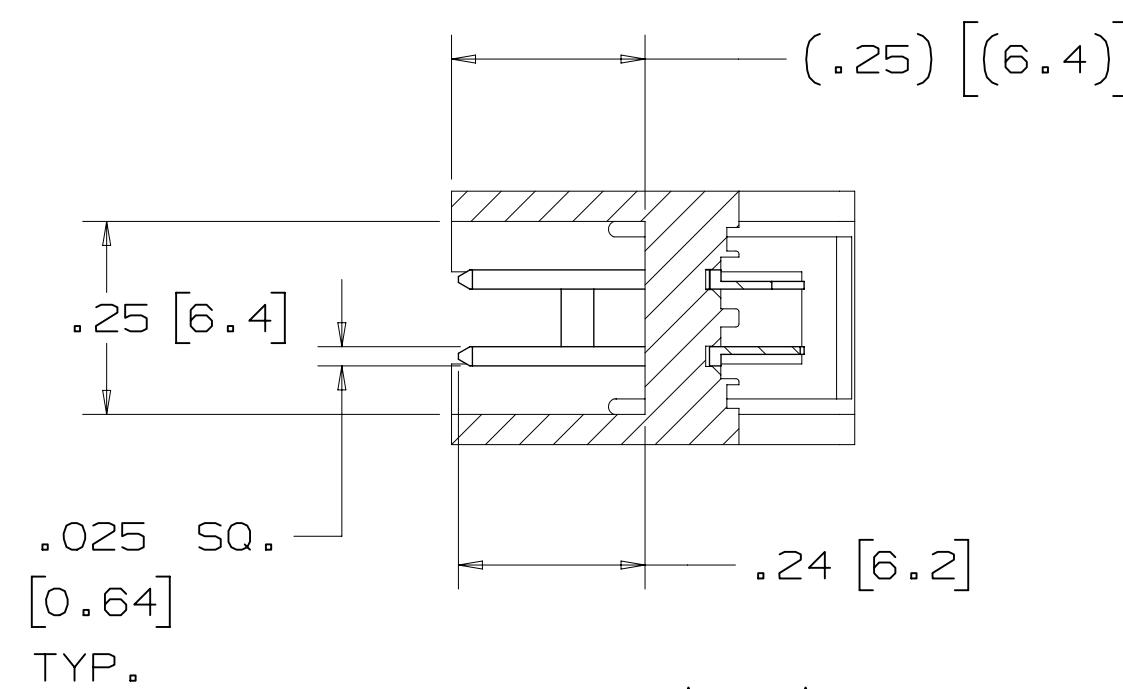
SLOTTED MOUNTING FLANGES



THREADED INSERT MOUNTING FLANGES



NO MOUNTING FLANGES



SECTION A - A
 SCALE 4x

- NOTES
- 1 POLARIZATION OF 10 POSITION PRODUCT CAN BE EITHER:
 - CENTER NOTCH B: 4610-XX5X
 - NOTCH C: 4610-XX0X.
 - 2 NOTCHES A AND C WILL ACCOMMODATE 3M POLARIZATION KEY PART NO. 3518.

3M ELECTRONICS MATERIALS SOLUTIONS DIVISION
 INTERCONNECT SOLUTIONS
<http://www.3M.com/interconnect>

3M IS A TRADEMARK OF 3M COMPANY.
 FOR TECHNICAL, SALES OR ORDERING
 INFORMATION CALL 800-225-5373

DESIGN REFERENCE	NEXT ASSEMBLY	REV	ECO	ISSUE DATE AND DESCRIPTION	DRFT	CHKD
		E	96508	APR 08, 2021 ADD U-SLOT GOLD FLASH NOTE	JNC	SAN
		D	94220	FEB 11, 2021 REVISED AND REDRAWN	JNC	SAN
				FEB 10, 2021		

DO NOT SCALE DRAWING	SCALE	TOLERANCES EXCEPT AS NOTED	INCHES	MILLIMETERS
	2/1		.0 ± .1 .00 ± .01 .000 ± .005 .0000 ± .0002	0 ± .1 .00 ± .01 .000 ± .005 0 ± .002

THIRD ANGLE PROJECTION	INTERPRET PER ASME Y14.5 - 2018	MAX SURFACE ROUGHNESS	MARKED ONLY
		0 ± .1 .00 ± .01 .000 ± .005	

TITLE	CAGE NUMBER	SIZE	DRAWING NO.	REV.
WIREMOUNT PLUG CONN., LATCH/EJECT, .100 X .100	D		78-5100-0086-8	E

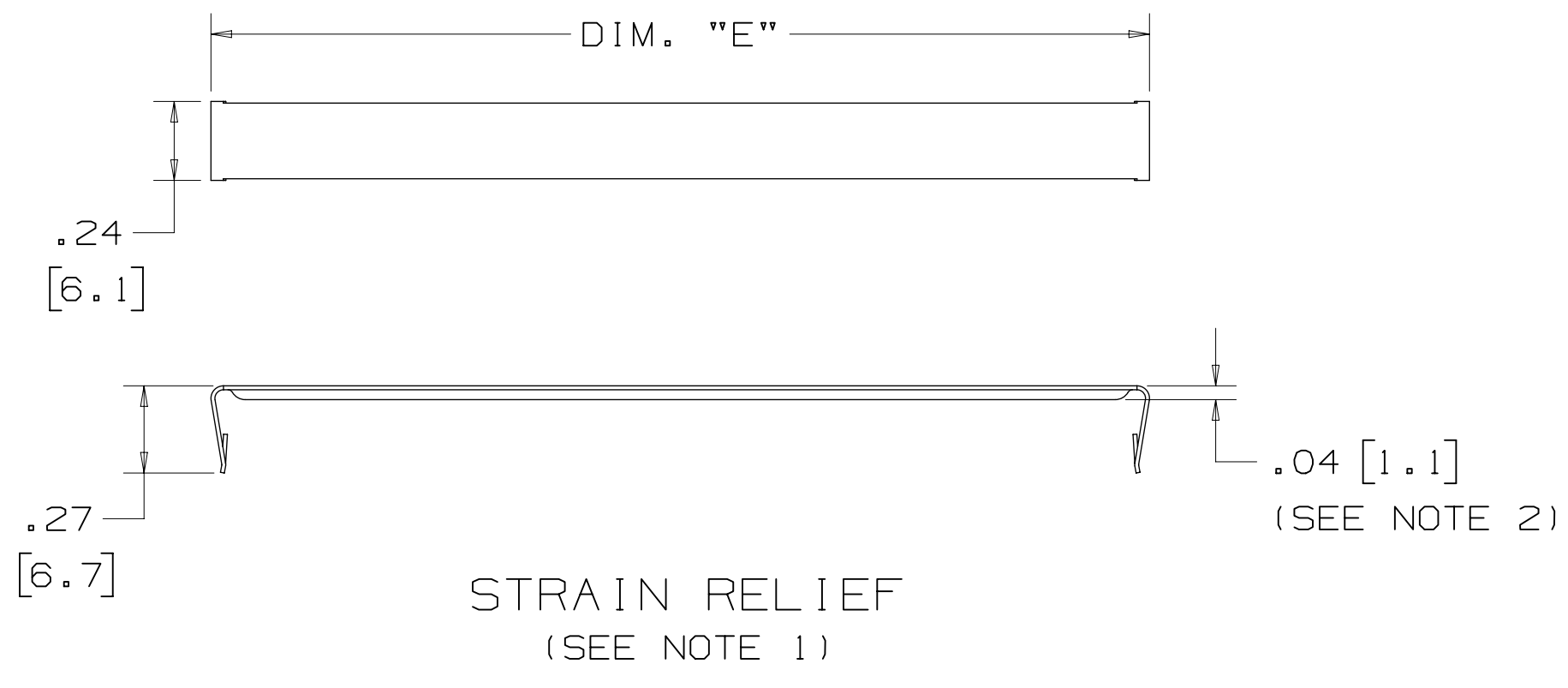
MODEL	DET	YES	NO	SHT	OF
4600				2	4

78-5100-0086-8
 DRAWING NUMBER
 E
 REVISION
 6
 (hrs)
 UTC
 4/8/2021
 Time
 Standard
 Central

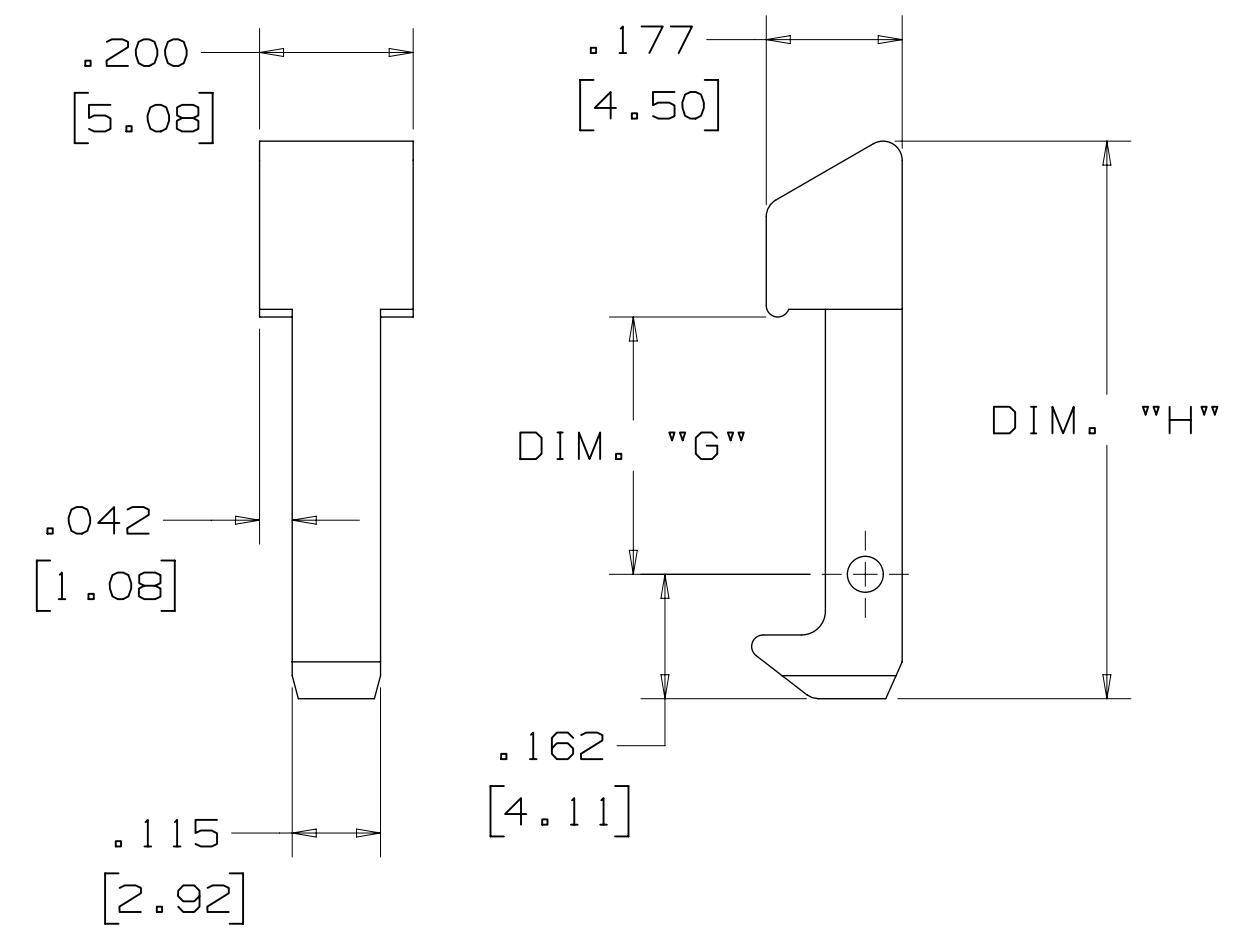
3M™ WIREMOUNT PLUG, 4600 SERIES
 .100 X .100, LATCH/EJECT CONNECTOR FOR .050" PITCH CABLE

- NOTES
- MATERIAL: .012 (0.30) THK STAINLESS STEEL.
 - THE DISTANCE FROM THE STRAIN RELIEF TO THE CONNECTOR IS EQUAL TO .04 (1.0) PLUS THE CABLE THICKNESS.
 - POLARIZATION OF 10 POSITION PRODUCT CAN BE EITHER:
 - CENTER NOTCH B: 4610-XX5X
 - NOTCH C: 4610-XX0X.

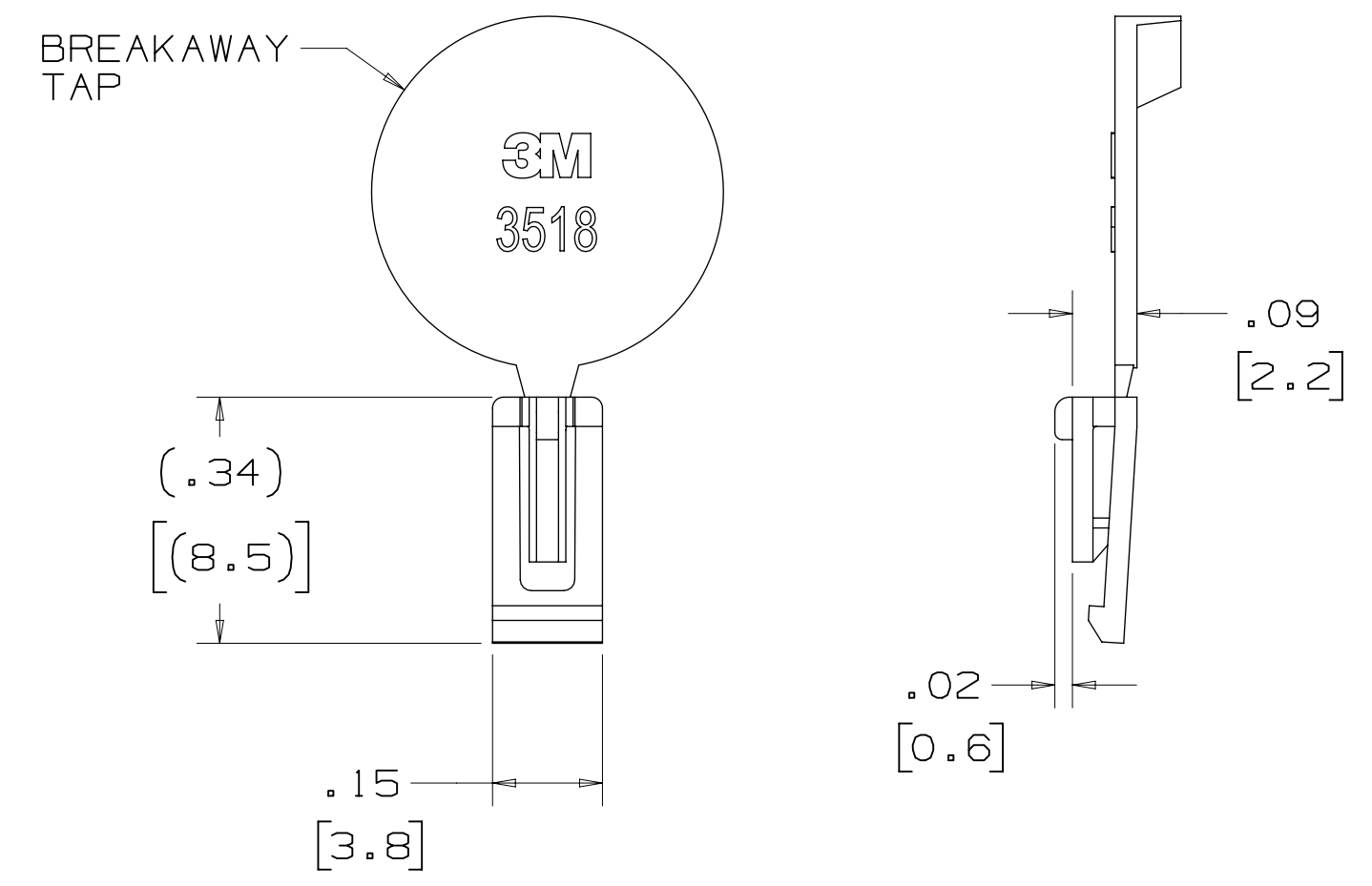
PIN QTY.	DIM. "A"	DIM. "B"	DIM. "C"	DIM. "D"	DIM. "E"	DIM. "F"	POLARIZING NOTCHES PROVIDED
10	1.50 [38.1]	.71 [18.0]	1.20 [30.5]	.77 [19.6]	.85 [21.6]	.90 [22.9]	B OR C (SEE NOTE 3)
14	1.70 [43.2]	.91 [23.1]	1.40 [35.6]	.97 [24.6]	1.05 [26.7]	1.10 [27.9]	B, C
16	1.80 [45.7]	1.01 [25.7]	1.50 [38.1]	1.07 [27.2]	1.15 [29.2]	1.20 [30.5]	A, B, C
20	2.00 [50.8]	1.21 [30.7]	1.70 [43.2]	1.27 [32.3]	1.35 [34.3]	1.40 [35.6]	A, B, C
24	2.20 [55.9]	1.41 [35.8]	1.90 [48.3]	1.47 [37.3]	1.55 [41.9]	1.60 [40.6]	A, B, C
26	2.30 [58.4]	1.51 [38.4]	2.00 [50.8]	1.57 [39.9]	1.65 [46.9]	1.70 [43.2]	A, B, C
30	2.50 [63.5]	1.71 [43.4]	2.20 [55.9]	1.77 [45.0]	1.85 [47.1]	1.90 [48.3]	A, B, C
34	2.70 [68.6]	1.91 [48.5]	2.40 [61.0]	1.97 [50.0]	2.05 [52.1]	2.10 [53.3]	A, B, C
36	2.80 [71.1]	2.01 [51.1]	2.50 [63.5]	2.07 [52.6]	2.15 [54.6]	2.20 [55.9]	A, B, C
40	3.00 [76.2]	2.21 [56.1]	2.70 [68.6]	2.27 [57.7]	2.35 [59.7]	2.40 [61.0]	A, B, C
50	3.50 [88.9]	2.71 [68.8]	3.20 [81.3]	2.77 [70.4]	2.85 [72.4]	2.90 [73.7]	A, B, C
60	4.00 [101.6]	3.21 [81.5]	3.70 [94.0]	3.27 [83.1]	3.35 [85.1]	3.40 [86.4]	A, B, C
64	4.20 [106.7]	3.41 [86.6]	3.90 [99.1]	3.47 [88.1]	3.55 [90.2]	3.60 [91.4]	A, B, C



EJECTOR/LATCH



POLARIZING KEY
 3M PART NO: 3518
 (ORDER SEPARATELY)



3M PART NO.	MATERIAL	COLOR
N3518	LCP	BLACK

EJECTOR/LATCH OPTION	PART NUMBER	DIM. "G"	DIM. "H"	DIM. "I"	DIM. "J"	MATERIAL	COLOR
SHORT	3505-16	.335 [8.51]	.726 [18.44]	.92 [23.4]	.41 [10.4]	PBT	GRAY
LONG	3505-17	.484 [12.29]	.875 [22.23]	1.07 [27.2]	.56 [14.2]		

REV	ECO	ISSUE DATE AND DESCRIPTION	DRFT	CHKD
E	96508	APR 08, 2021 ADD U-SLOT GOLD FLASH NOTE	JNC	SAN
D	94220	FEB 11, 2021 REVISED AND REDRAWN	JNC	SAN
CHKD	CASTIGLIONE	FEB 10, 2021	APPRV	S. NEU
DIVISION	EMSD	DATE	DATE	DATE

DESIGN REFERENCE NEXT ASSEMBLY

DO NOT SCALE DRAWING

THIRD ANGLE PROJECTION

MAX SURFACE ROUGHNESS

MARKED ONLY

SCALE 4/1

TOLERANCES EXCEPT AS NOTED

INCHES: .00 ± .01, .000 ± .005, .0000 ± .0002

MILLIMETERS: 0 ±, .00 ±, .00 ±

INTERPRET PER ASME Y14.5 - 2018

3M Center St. Paul, MN 55144

© 3M COPYRIGHT 2021

This document and the information it contains are 3M property and may not be reproduced or further distributed without 3M permission, or used or disclosed other than for 3M authorized purposes. All rights reserved.

TITLE: WIREMOUNT PLUG CONN., LATCH/EJECT, .100 X .100

CAGE NUMBER: D78-5100-0086-8

SIZE: 4600

DRAWING NO. 4600

REV. E

MODEL: 4600

DET: [] YES [X] NO

SHT 3 OF 4

3M ELECTRONICS MATERIALS SOLUTIONS DIVISION
 INTERCONNECT SOLUTIONS
<http://www.3M.com/interconnect>
 3M IS A TRADEMARK OF 3M COMPANY.
 FOR TECHNICAL, SALES OR ORDERING
 INFORMATION CALL 800-225-5373

78-5100-0086-8
 DRAWING NUMBER
 Time 4/8/2021 4:18:00 PM
 UTC Offset (hrs) 6

3M™ WIREMOUNT PLUG, 4600 SERIES
 .100 X .100, LATCH/EJECT CONNECTOR FOR .050" PITCH CABLE

Regulatory: For regulatory information about this product, visit 3M.com/regs or contact your 3M representative.

Technical Information: The technical information, recommendations and other statements contained in this document are based upon tests or experience that 3M believes are reliable, but the accuracy or completeness of such information is not guaranteed.

Product Use: Many factors beyond 3M's control and uniquely within user's control can affect the use and performance of a 3M product in a particular application. Given the variety of factors that can affect the use and performance of a 3M product, user is solely responsible for evaluating the 3M product and determining whether it is fit for a particular purpose and suitable for user's method of application.

Warranty, Limited Remedy, and Disclaimer: Unless an additional warranty is specifically stated on the applicable 3M product packaging or product literature, 3M warrants that each 3M product meets the applicable 3M product specification at the time 3M ships the product. 3M MAKES NO OTHER WARRANTIES OR CONDITIONS, EXPRESS OR IMPLIED, INCLUDING, BUT NOT LIMITED TO, ANY IMPLIED WARRANTY OR CONDITION OF MERCHANTABILITY OR FITNESS FOR A PARTICULAR PURPOSE OR ANY IMPLIED WARRANTY OR CONDITION ARISING OUT OF A COURSE OF DEALING, CUSTOM OR USAGE OR TRADE. If the 3M product does not conform to this warranty, then the sole and exclusive remedy is, at 3M's option, replacement of the 3M product or refund of the purchase price.

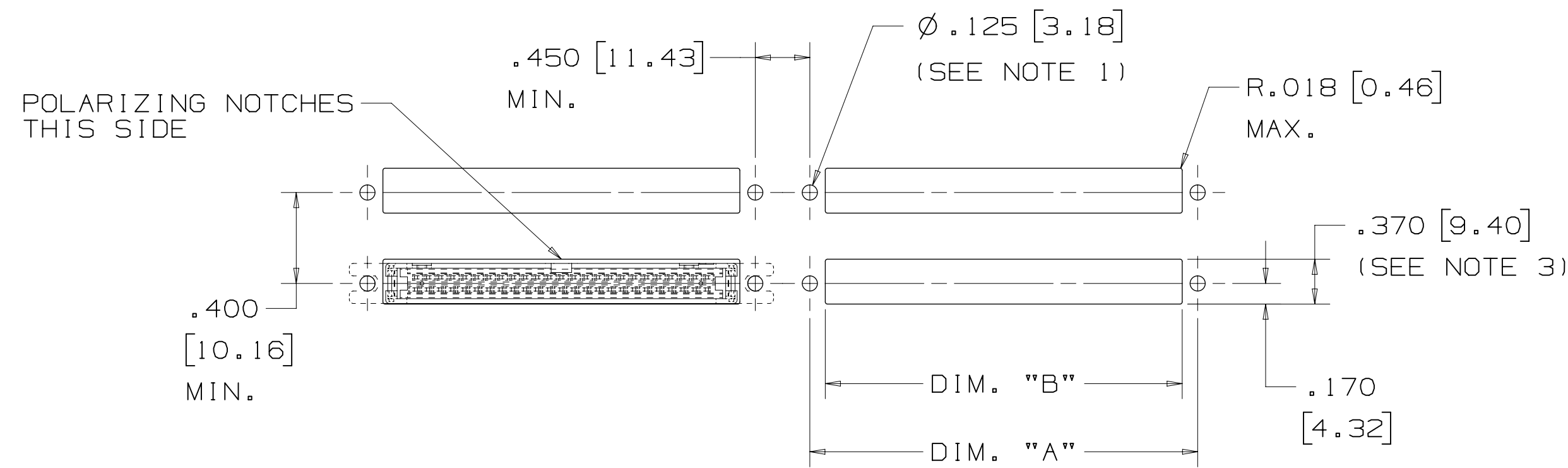
Limitation of Liability: Except where prohibited by law, 3M will not be liable for any loss or damage arising from the 3M product, whether direct, indirect, special, incidental or consequential, regardless of the legal theory asserted, including warranty, contract, negligence or strict liability.

3M Company
 Electronics Materials Solutions Division
 13011 McCallen Pass, Bldg. C
 Austin, TX 78753-5380
 1-800-225-5373
 www.3M.com/interconnect

- NOTES
- 1 ACCEPTS #4 PAN HEAD MACHINE SCREW.
 - 2 FOR A REAR MOUNT PLUG CONNECTOR WITH EJECTOR/LATCHES, THE RECOMMENDED MAXIMUM PANEL THICKNESS IS .125 [3.18].
 - 3 WITHOUT POLARIZING KEYS .340 [8.64].

TABLE 3

PIN QTY.	PART NUMBER	DIM. "A"	DIM. "B"
10	4610	1.200 [30.48]	.945 [24.00]
14	4614	1.400 [35.56]	1.145 [29.08]
16	4616	1.500 [38.10]	1.245 [31.62]
20	4620	1.700 [43.18]	1.445 [36.70]
24	4624	1.900 [48.26]	1.645 [41.78]
26	4626	2.00 [50.80]	1.745 [44.32]
30	4630	2.200 [55.88]	1.945 [49.40]
34	4634	2.400 [60.96]	2.145 [54.48]
36	4636	2.500 [63.50]	2.245 [57.02]
40	4640	2.700 [68.58]	2.445 [62.10]
50	4650	3.200 [81.28]	2.945 [74.80]
60	4660	3.700 [93.98]	3.445 [87.50]
64	4664	3.900 [99.06]	3.645 [92.58]



REAR MOUNT PANEL CUT-OUT

3M ELECTRONICS MATERIALS SOLUTIONS DIVISION
 INTERCONNECT SOLUTIONS
<http://www.3M.com/interconnect>

3M IS A TRADEMARK OF 3M COMPANY.
 FOR TECHNICAL, SALES OR ORDERING
 INFORMATION CALL 800-225-5373

DESIGN REFERENCE	NEXT ASSEMBLY	REV	ECO	ISSUE DATE AND DESCRIPTION	DRFT	CHKD
DO NOT SCALE DRAWING	SCALE 4/1	TOLERANCES EXCEPT AS NOTED	INCHES: .0 ± .1 .00 ± .01 .000 ± .005 .0000 ± .0002			
THIRD ANGLE PROJECTION	INTERPRET PER ASME Y14.5 - 2018	MILLIMETERS	.0 ± .1 .00 ± .01 .000 ± .005			
MAX SURFACE ROUGHNESS	DTX SURFACES	MARKED ONLY	ANGLE ±			
DIVISION CODE EMSD		DIVISION 3M Center St. Paul, MN 55144		© 3M COPYRIGHT 2021 This document and the information it contains are 3M property and may not be reproduced or further distributed without 3M permission, or used or disclosed other than for 3M authorized purposes. All rights reserved.		
TITLE WIREMOUNT PLUG CONN., LATCH/EJECT, .100 X .100		CAGE NUMBER D 78-5100-0086-8		REV. E		
MODEL 4600		DET. I/STs		YES X NO SHT 4 OF 4		

E REVISION
 78-5100-0086-8 DRAWING NUMBER
 B
 A
 Time 4/8/2021 11:48:00 AM UTC Offset (hrs) 6