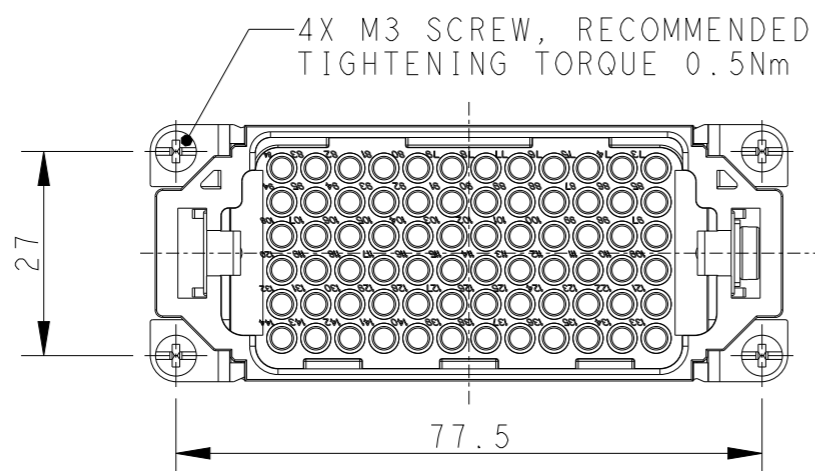
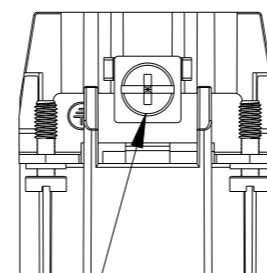
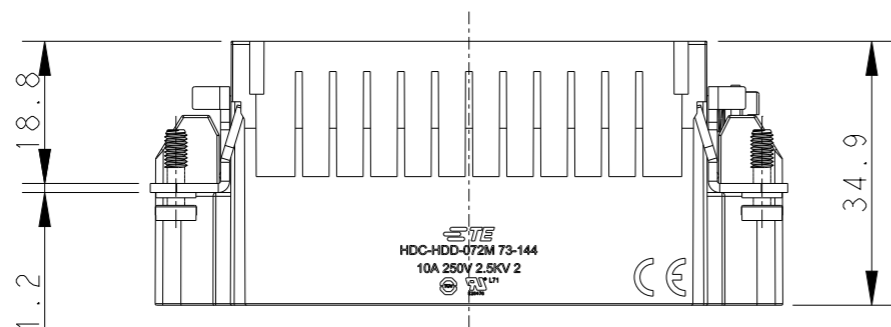
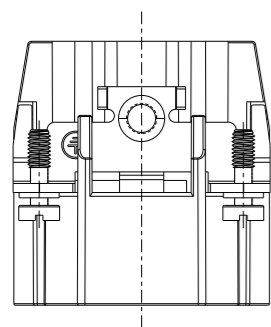
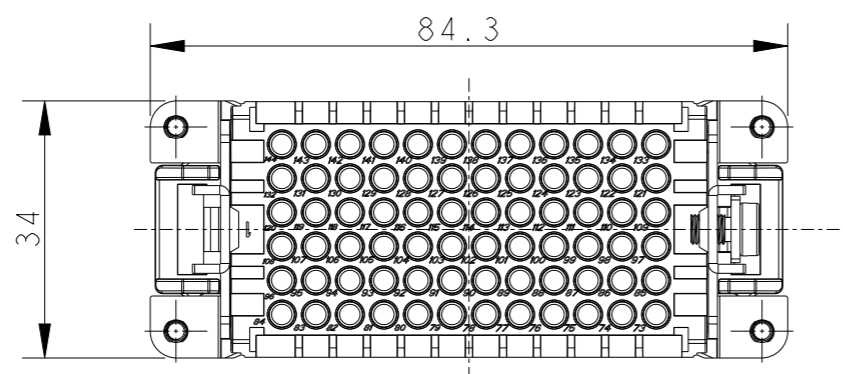
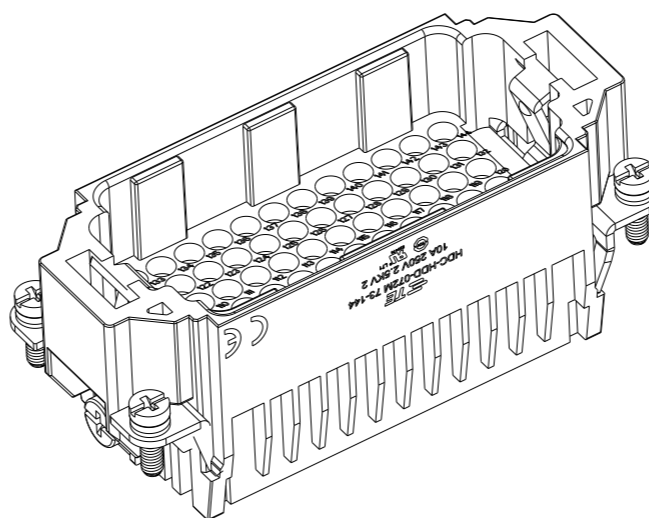


REVISIONS

P	LTR	DESCRIPTION	DATE	DWN	APVD
A		INITIAL	08MAY2015	DW	CW
B		ECR-15-013292	24SEP2015	DL	CW
C		ECR-21-105887	26JUL2021	BS	CW



M4 SCREW
RECOMMENDED
TIGHTENING
TORQUE 1.2Nm



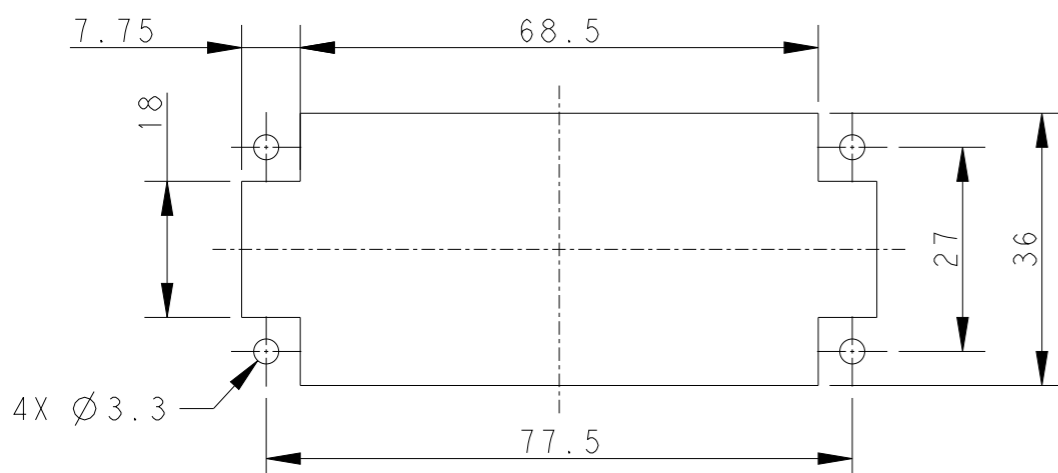
NOTES:

- TECHNICAL CHARACTERISTICS:
INSULATION MATERIAL: PC
RATED VOLTAGE: 250 V
RATED CURRENT: 10 A
INSULATION RESISTANCE: $\geq 400M\Omega$
RATED IMPULSE VOLTAGE: 2.5 KV
POLLUTION DEGREE: 2
CONTACT RESISTANCE: $\leq 5 m\Omega$
FLAMMABILITY: UL94V-0
MATING CYCLES: 500 CYCLES
WIRE RANGE: 0.14-2.5 mm² (26-14 AWG)
CONTACT TYPE: CRIMP CONTACT
- CONTACT NEED TO BE ORDERED SEPARATELY.
(ORDER No. REFER TO DRAWING: T20200X10XX000)


注释:

- 技术参数:
绝缘材料: PC
额定电压: 250V
额定电流: 10A
绝缘电阻: $\geq 400M\Omega$
额定脉冲电压: 2.5 KV
污染等级: 2
接触电阻: $\leq 5 m\Omega$
阻燃等级: UL94V-0
插拔次数: 500次
接线范围: 0.14-2.5 mm² (26-14 AWG)
接线类型: 冷压接
- 端子需要单独订购。
(订货号参考图面: T20200X10XX000)

PANEL CUT FOR INSERTS FOR USE
WITHOUT HOODS/ HOUSINGS



HDD-072-M 73-144	T2031442101-000
DESCRIPTION	PART NUMBER

THIS DRAWING IS A CONTROLLED DOCUMENT.		DWN	08MAY2015	 TE Connectivity NAME HDD-072-M 73-144	
DIMENSIONS: mm		CHK	08MAY2015		
TOLERANCES UNLESS OTHERWISE SPECIFIED:		APVD	08MAY2015		
0 PLC ±- 1 PLC ±- 2 PLC ±- 3 PLC ±- 4 PLC ±- ANGLES ±-		PRODUCT SPEC	108-137043		
MATERIAL	FINISH	APPLICATION SPEC	114-137043	SIZE	A3
-	-	WEIGHT	-	CAGE CODE	00779
-	-	Customer Drawing	SCALE	DRAWING NO	T2031442101000
			1:1	RESTRICTED TO	-
			SHEET	1 OF 1	REV
					C