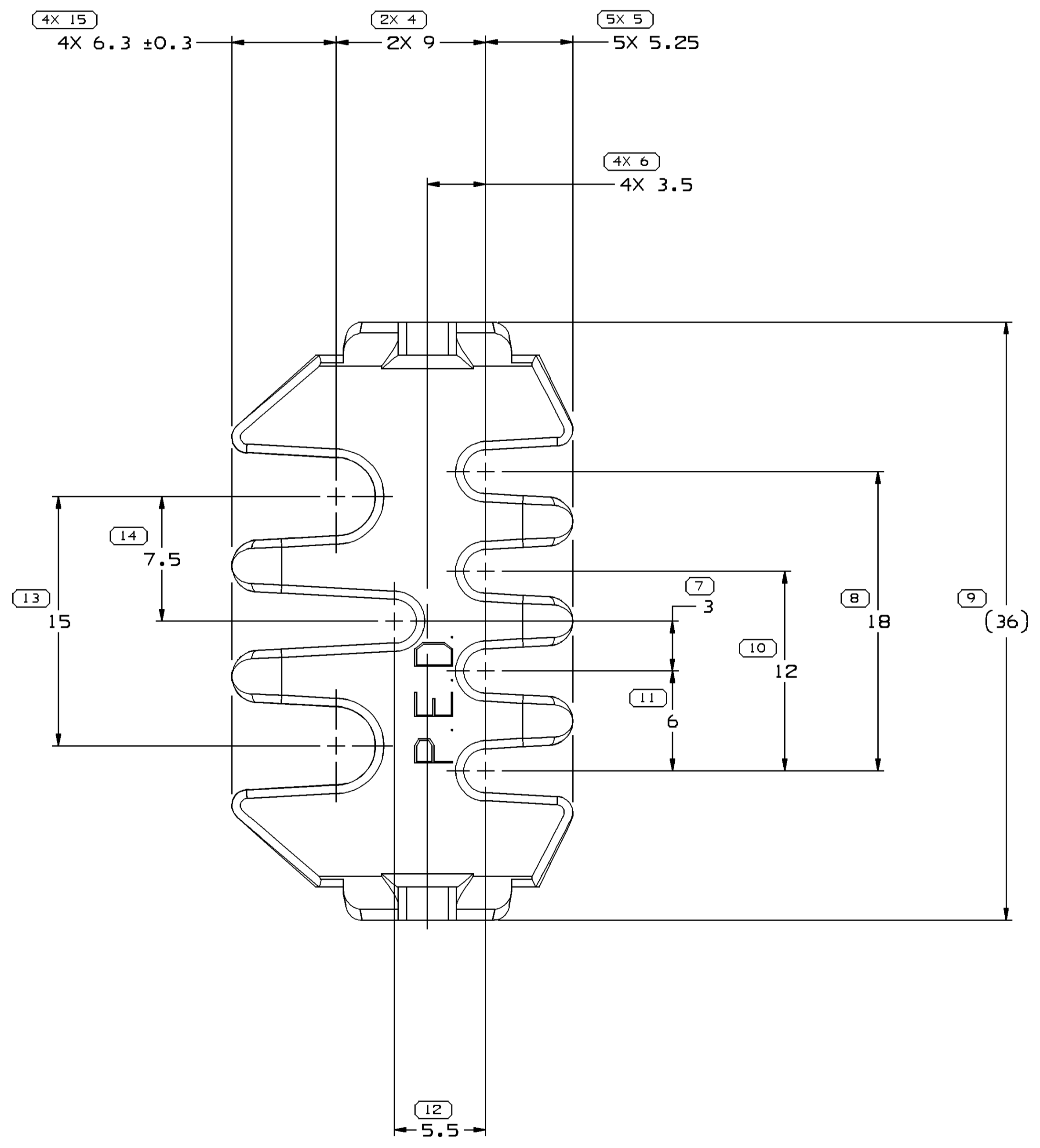
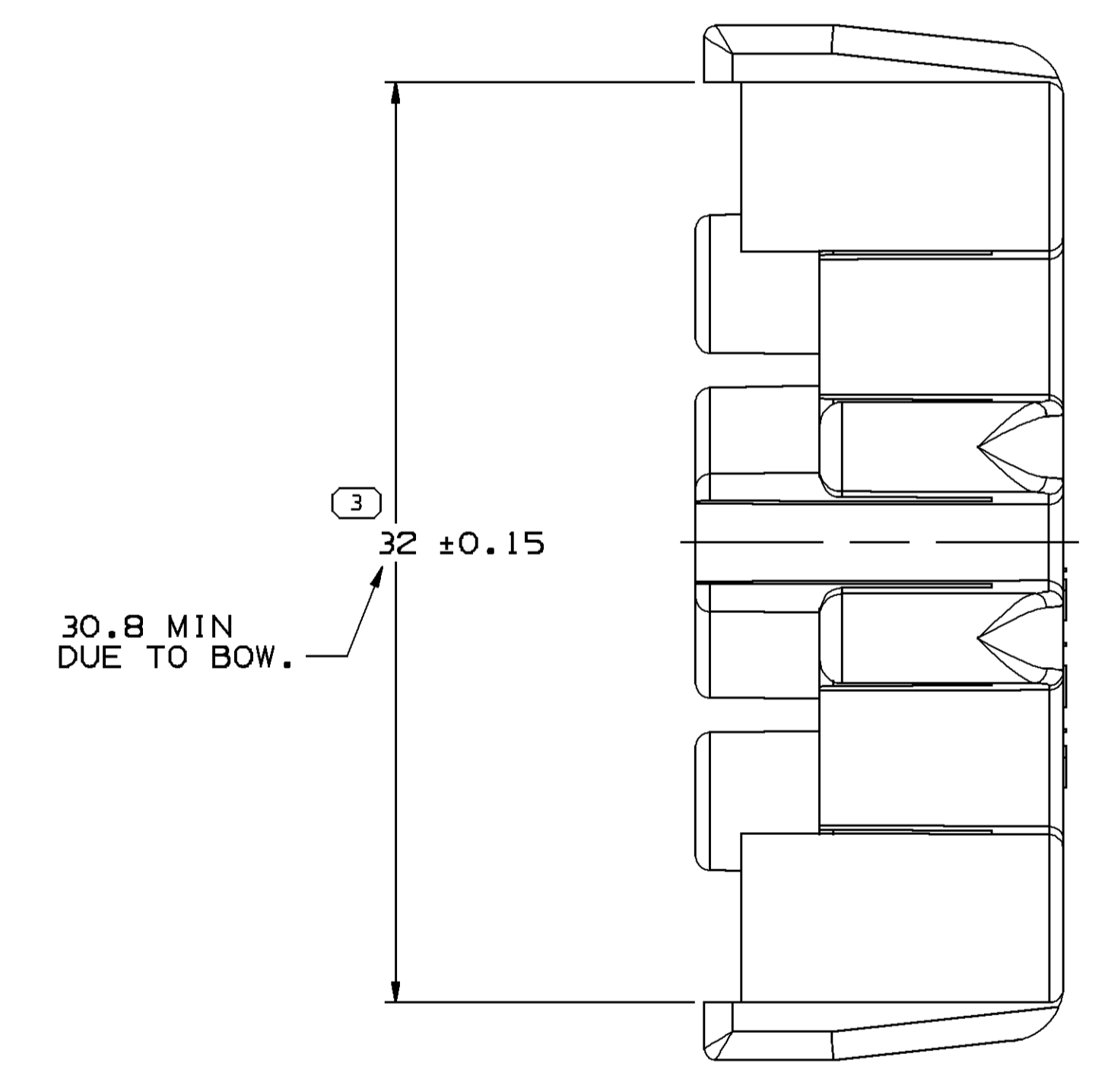
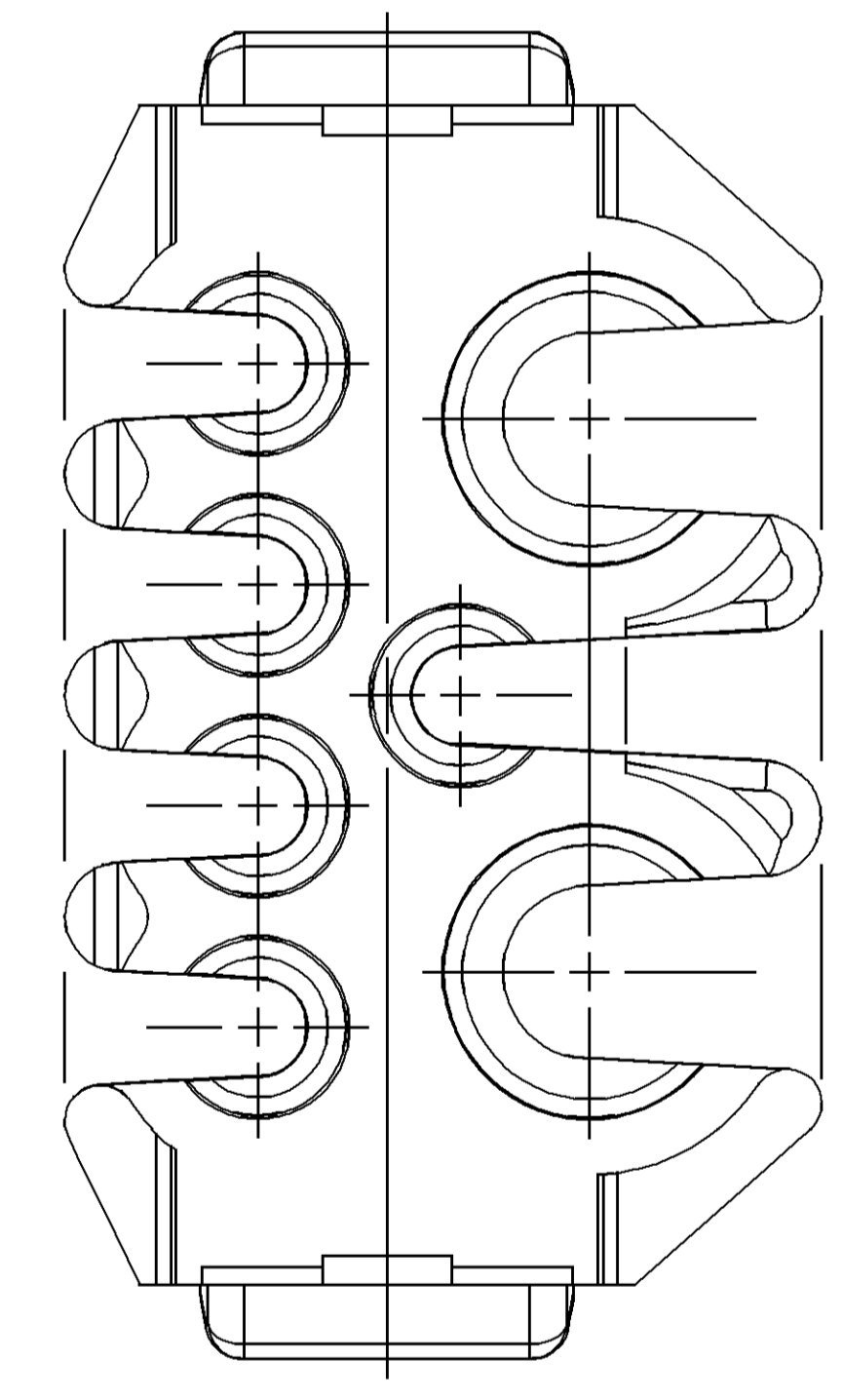
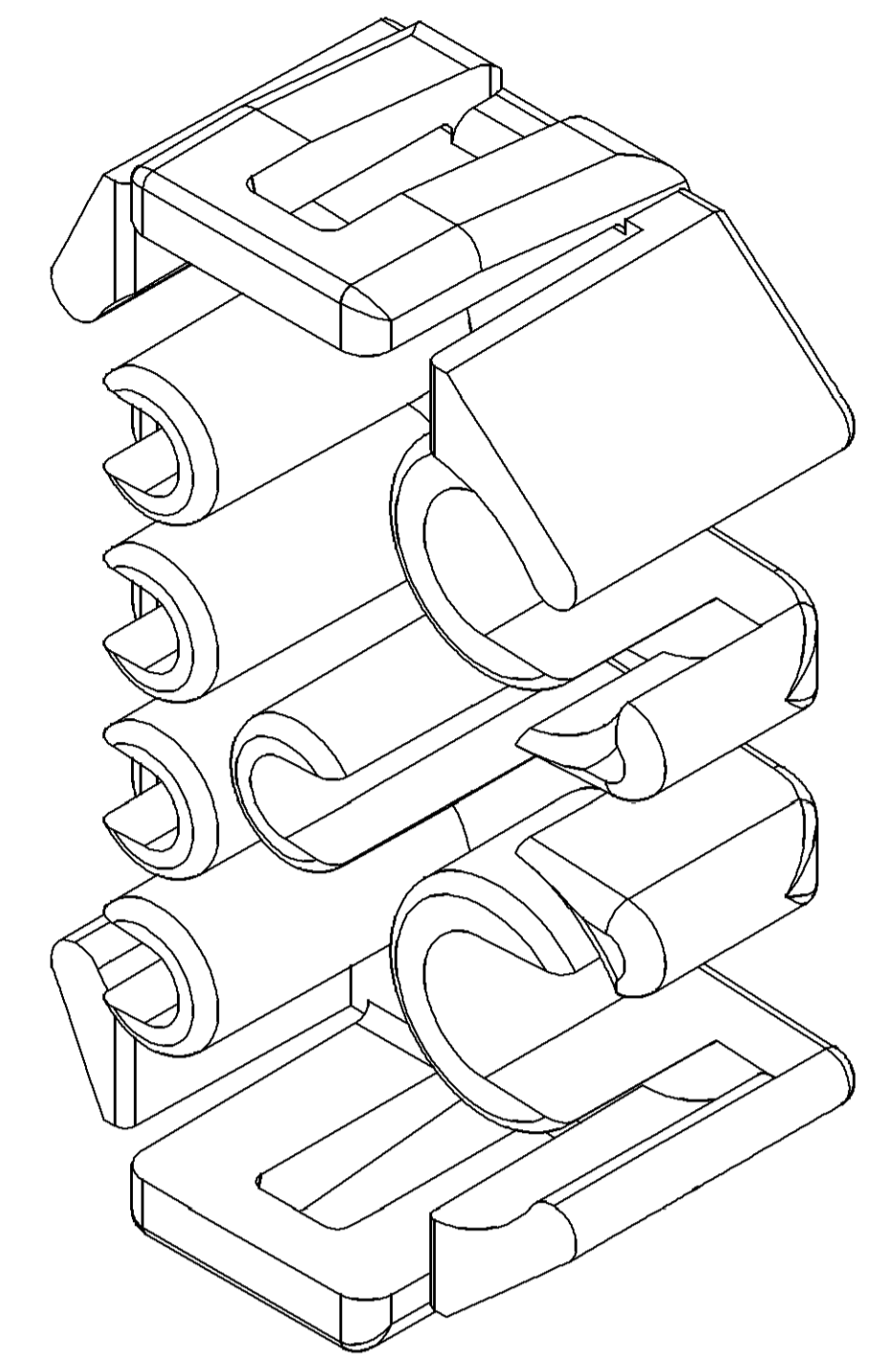
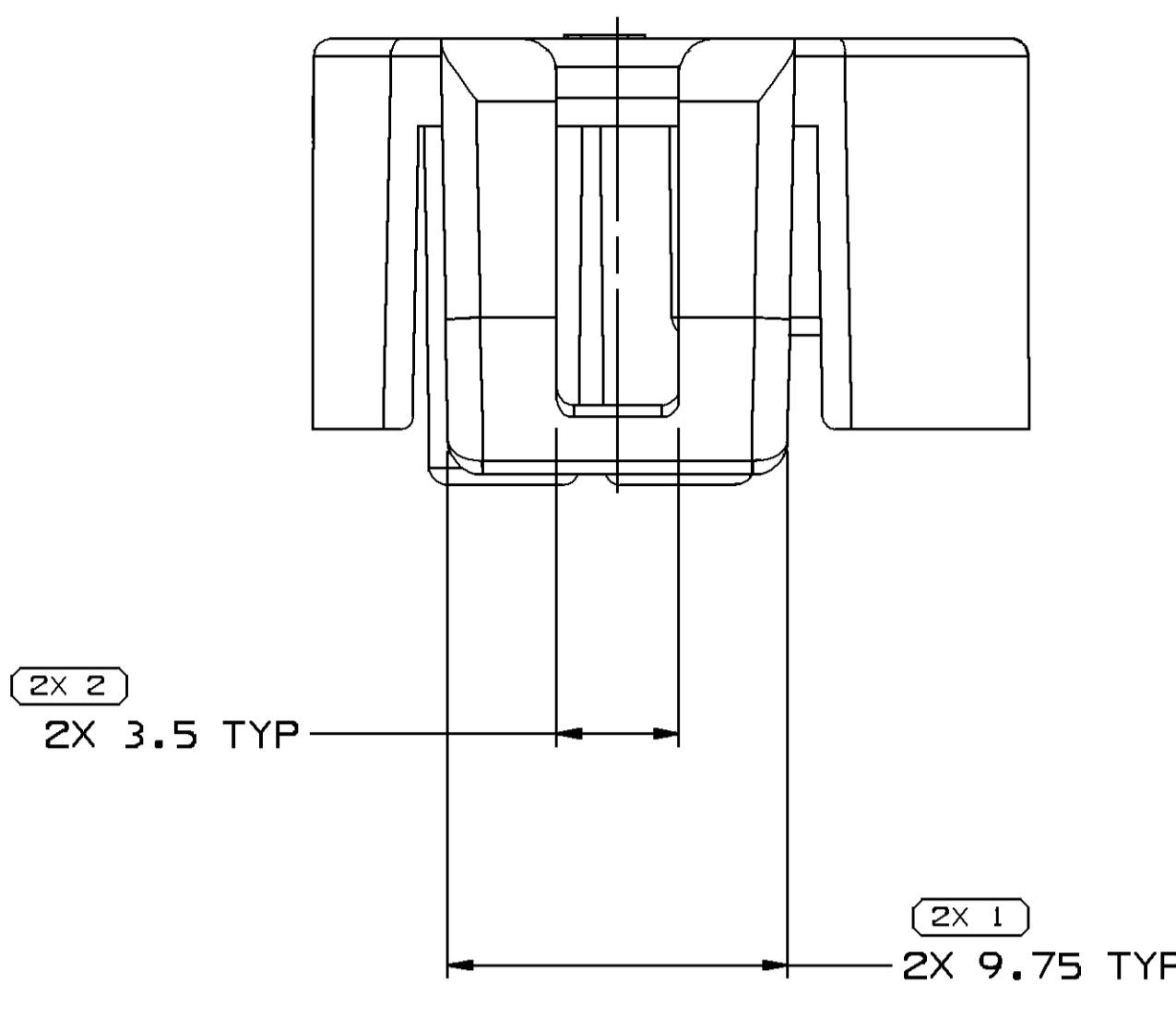


SYMBOL DEFINITION		MISSING SYMBOLS	
A DIMENSION WITHOUT AN INSPECTION REPORT SYMBOL DOES NOT REQUIRE INSPECTION. IT MAY BE CONTROLLED ON THE INDIVIDUAL COMPONENT DRAWING.		TOTAL NO OF INSPECTIONS REQUIRED	28
		LAST NO. USED	15

DWG STATUS				REVISION HISTORY				AUTH	
DATE	STG	REV	N/P	CHG	ZONE				
16FE99	R	D4	-	-	-	REDRAWN TO PD & UPDATED PDM ATTRIBUTES		190264	HGH/BMC/JH
13FE09	R	D5	-	-	-	RELOCATED CENTERLINE DIMENSIONS TO BACK VIEW (11 PLCS)		407354	DMC/SCR/MMR/M



- NOTES
- UNLESS OTHERWISE SPECIFIED AND/OR INDICATED, DIMENSIONS ARE TO FACE OF VIEW SHOWN AND AUTOMATICALLY ROUNDED BY COMPUTER FOR INSPECTION. (SEE MATH MODEL FOR PRECISE DIMENSIONS.) FOR ALL OTHER DIMENSIONS NOT SHOWN BUT REQUIRED FOR TOOL BUILD, SEE MATH MODEL FOR PRECISE TOOL PATH DATA.
 - THIS PART IS NOT CONTROLLED FOR AUTOMATIC FEEDING.
 - MATING COMPONENTS OR EQUIVALENT: CONNECTOR 12052197
 - 480 SERIES - MAX. CABLE DIA. THAT WILL FIT PART IS 4.5.
 - 150 SERIES - MAX. CABLE DIA. THAT WILL FIT PART IS 2.5.
 - MATERIAL RECYCLING CODE PER ISO 11469. (2,3)X(0,1) CHARACTERS AS SHOWN TO BE LOCATED ON ANY EXTERIOR SURFACE.
 - THIS PRODUCT IS NOT CATEGORIZED AS AN APPEARANCE ITEM, MINOR IMPERFECTIONS INCLUDING, BUT NOT LIMITED TO, FLOW MARKS, COLOR BLEMISHES, GATE VESTIGE, AND SOFT FLASH THAT DO NOT AFFECT THE FIT, FORM, OR FUNCTION OF THE PART ARE PERMISSIBLE PER NAP 4.10-18.
 - (2,3)X(0,1) DELPHI CORPORATE BRAND TO BE LOCATED ON ANY EXTERIOR SURFACE, PREFERABLY VISIBLE AT FINAL ASSEMBLY. OPTIONAL CONSTRUCTION FOR EXISTING TOOLING MAY BE "PED".

DWG TYPE PART DRAWING																																														
STYLE	DATE																																													
VOLUME 10/P 2,852	DISTR CODE D																																													
UNLESS OTHERWISE SPECIFIED THIS DOCUMENT IS IN ACCORDANCE WITH ASME Y14.5M-1994 AS MODIFIED BY THE IN SUPPLY DISCREPANCY AND TOLERANCE ADDENDUM-001. SEPARATE WRITINGS OF FEATURES MAY BE BASED SEPARATELY PER RELEASE OF DRAWING REFERENCES.																																														
ALL DIMENSIONS ARE IN MILLIMETERS																																														
REFERENCE																																														
<table border="1"> <thead> <tr> <th>DIMENSIONAL RANGE (MM)</th> <th>CHGT</th> <th>ET</th> </tr> </thead> <tbody> <tr> <td>FROM > 0</td> <td>> 20</td> <td>> 70</td> </tr> <tr> <td>TO</td> <td>20</td> <td>70</td> </tr> <tr> <td></td> <td>70</td> <td>100</td> </tr> <tr> <td></td> <td>100</td> <td>150</td> </tr> <tr> <td></td> <td>150</td> <td>200</td> </tr> <tr> <td></td> <td>200</td> <td>250</td> </tr> <tr> <td></td> <td>250</td> <td>300</td> </tr> <tr> <td></td> <td>300</td> <td>400</td> </tr> <tr> <td colspan="3">TOLERANCE UNLESS OTHERWISE SPECIFIED</td> </tr> <tr> <td>±0.15</td> <td>±0.2</td> <td>±0.3</td> </tr> <tr> <td>±0.3</td> <td>±0.4</td> <td>±0.5</td> </tr> <tr> <td>±0.6</td> <td>±0.8</td> <td>±1</td> </tr> <tr> <td>±1</td> <td>±1.2</td> <td>±1.5</td> </tr> <tr> <td colspan="3">ANGULAR TOLERANCE 2°</td> </tr> </tbody> </table>		DIMENSIONAL RANGE (MM)	CHGT	ET	FROM > 0	> 20	> 70	TO	20	70		70	100		100	150		150	200		200	250		250	300		300	400	TOLERANCE UNLESS OTHERWISE SPECIFIED			±0.15	±0.2	±0.3	±0.3	±0.4	±0.5	±0.6	±0.8	±1	±1	±1.2	±1.5	ANGULAR TOLERANCE 2°		
DIMENSIONAL RANGE (MM)	CHGT	ET																																												
FROM > 0	> 20	> 70																																												
TO	20	70																																												
	70	100																																												
	100	150																																												
	150	200																																												
	200	250																																												
	250	300																																												
	300	400																																												
TOLERANCE UNLESS OTHERWISE SPECIFIED																																														
±0.15	±0.2	±0.3																																												
±0.3	±0.4	±0.5																																												
±0.6	±0.8	±1																																												
±1	±1.2	±1.5																																												
ANGULAR TOLERANCE 2°																																														
THIRD ANGLE PROJECTION	DO NOT SCALE																																													
USE MATH DATA	NX																																													

DELPHI
DELPHI PACKARD ELECTRICAL/ELECTRONIC ARCHITECTURE
WARREN, OH

DR	DATE
APV01 H. GAMA	16FE99
APV02 G. MACIAS	16FE99
APV03 J. HORIUCHI	23FE99
APV04	
APV05	
SUBSTANCES OF CONCERN AND RECYCLED CONTENT PER DELPHI 10949001	
MATERIAL: POLYAMIDE COMPOUND GRAY	
DRAWING NAME LOCK SECONDARY TPA M/P 7	
DRAWING NUMBER 12052486	
SIZE A0	SCALE 5:1
FRAME NO 1 OF 1	SHEET NO 1 OF 1
STG R	REV D5

Mouser Electronics

Authorized Distributor

Click to View Pricing, Inventory, Delivery & Lifecycle Information:

[Aptiv:](#)

[12052486](#)