



PRODUCT DATASHEET

ANGELA series

last update 10/11/2014

DETAILS

Product Number	C13584_CLAMP-VERO29
Family	ANGELA
Type	Base part
Color	white
Diameter	53 mm
Height	5,5 mm
Style	round
Optic Material	
Holder Material	PC
Fastening	screw
Status	ready
ROHS Compliant	Yes
Date Updated	10/11/2014



OPTICAL PROPERTIES

LED	Viewing Angle	Light Beam	Efficiency	cd/lm	Connector
VERO29	N/A deg		-	sim: 0.000	-

H G F E D C B A

4

3

2

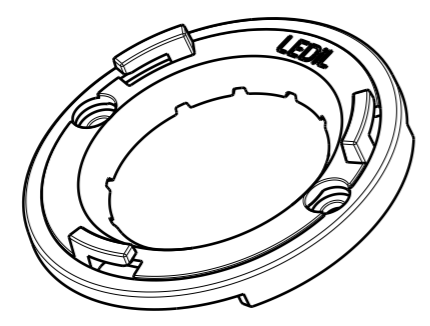
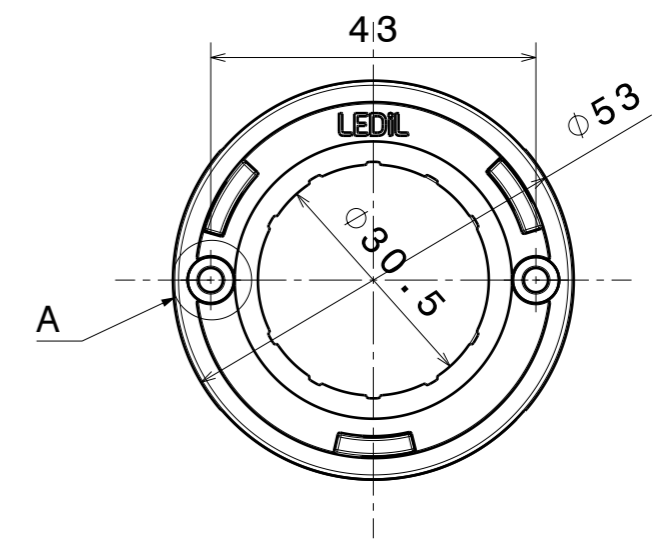
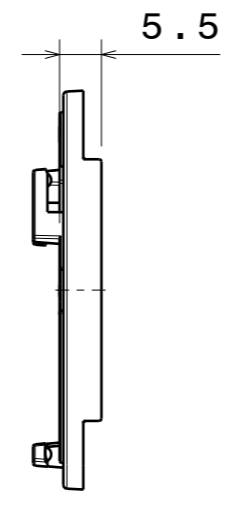
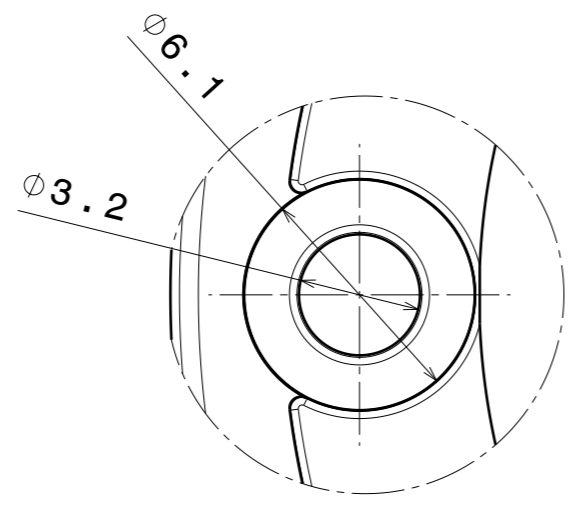
1

4

3

2


1



Right view
Scale: 1:1

Front view
Scale: 1:1

Isometric view
Scale: 1:1

This drawing is our property. It can't be reproduced or communicated without our written agreement.				Ledil Oy Salorankatu 10 FIN 24240 SALO Finland	
DRAWN BY PL		DATE 04.03.2013		DRAWING TITLE Part Drawing	
CHECKED BY -		DATE -		DATASHEET CLAMP-VER029	
DESIGNED BY PL		DATE -		SIZE A3	PART NUMBER C13584
		SCALE 1:1	WEIGHT -	SHEET 1/1	REV 001

H G B A

NOTE: The typical divergence will be changed by different color, chip size and chip position tolerance. The typical total divergence is the full angle measured where the luminous intensity is half of the peak value.

GENERAL INFORMATION

- Product series especially designed & optimized for series of LEDs.
- Special care taken to make light distribution as uniform as possible.

Note! Due to use of high power COB's with this product, special attention to proper thermal design is highly recommended. LEDiL has no liability for direct, indirect or consecutive damages arising from the LEDiL products being used outside of the recommended temperature range.