

5

4

3

2

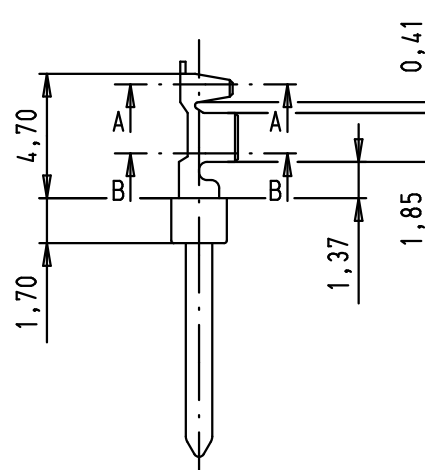
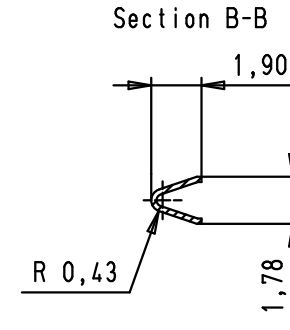
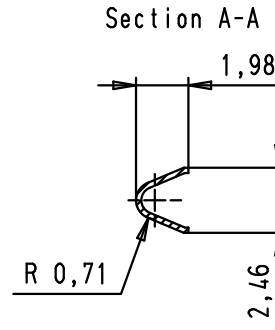
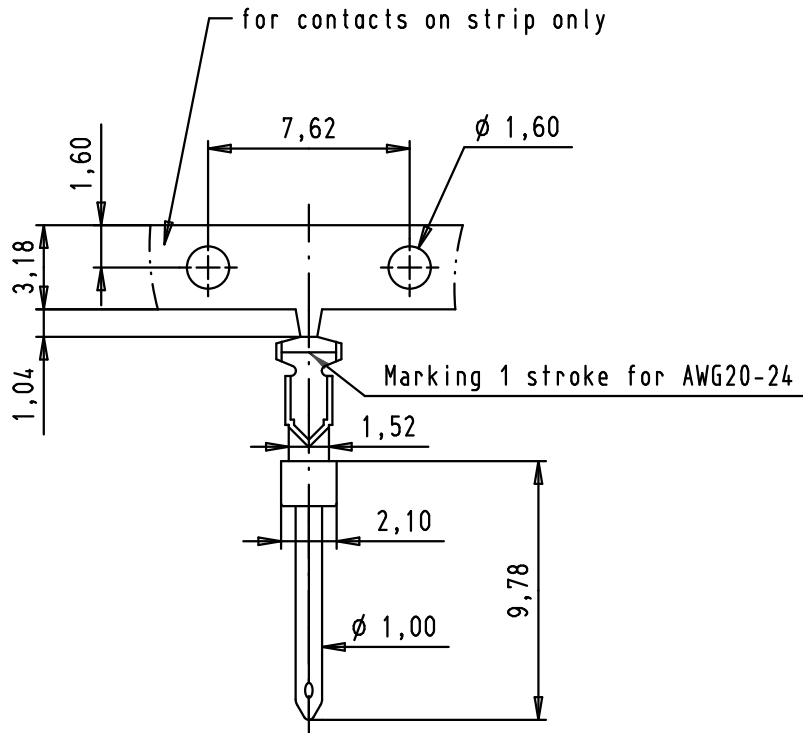
1

D

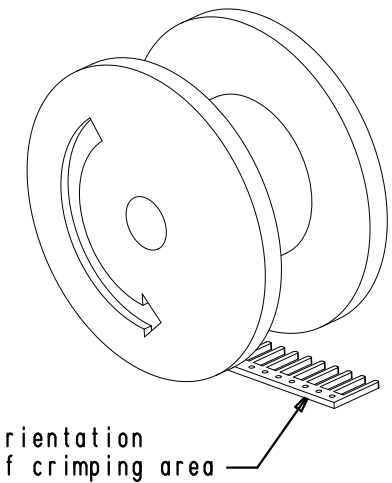
C

B

A



Reel unrolling left



Base material: brass
 Plating: sliding contact selective gold plated over nickel
 nickel plated crimp area
 Number of contacts per reel: 500

				Dat.	Name	<p>All Dim. in mm Orig. Size DIN A 4</p>	D-Sub, stamped male AWG 20-24 crimp contact, reel unrolling left	Maßstab/ Scale 3,5:1
			Detail.	24/03/03	PP			
			Insp.	13/01/12	JB			
			Stand.					
09 67 000 8168	PL2	36288	13/01/12	SD	HARTING EURL F-95972 Paris		TB 09 67 000 816X	Blatt/ Page 1 / 1
09 67 000 8167	PL3	33937	01/03/07	PK				
09 67 000 8166	PL1	31475	24/03/03	PP				
Part number	Performance level	Mod.	Dat.	Name				