

DC Fan Motors

SAN ACE 52mm
MICRO ACE

Best suited for reliable, compact precision equipment

General specifications

Motor protection system ····Current cut system (with reverse-connection protection)

Dielectric strength ······50/60 Hz, 500 VAC, 1 minute
(between lead conductor and frame)

Operating thermally range -10°C to +60°C (non-condensing)

Fan power lead ········A and H speeds, ⊕ red, ⊖ black
M speed, ⊕ red, ⊖ blue

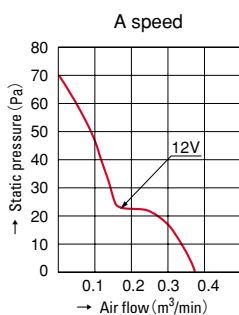


15mm thick

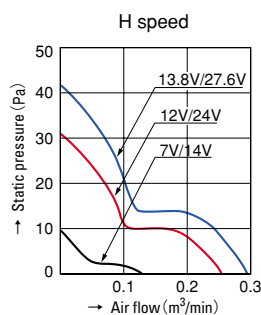
Specifications

Model No	Rated voltage (V)	Operating voltage range (V)	Rated current (A)	Rated input (W)	Rated rotating speed (min ⁻¹)	Air flow (m ³ /min) (CFM)	Static pressure (Pa)	Noise (dB[A])	Mass (g)
109P0505M702	5	4.5~5.5	0.15	0.75	3,700	0.205 7.24	21.4	22	55
109P0512A702	12	10.2~13.8	0.21	2.52	6,800	0.375 13.25	69.7	36	
109P0512H702		7~13.8	0.10	1.20	4,600	0.255 9.00	31.9	27	
109P0512M702	24	14~27.6	0.05	1.20	4,600	0.255 9.00	31.9	27	
109P0524H702			0.04	0.96	3,700	0.205 7.24	21.4	22	
109P0524M702									

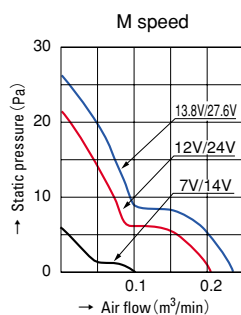
Typical air flow and static pressure characteristics



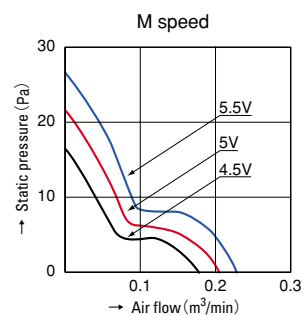
109P0512A702



109P0512H702
109P0524H702



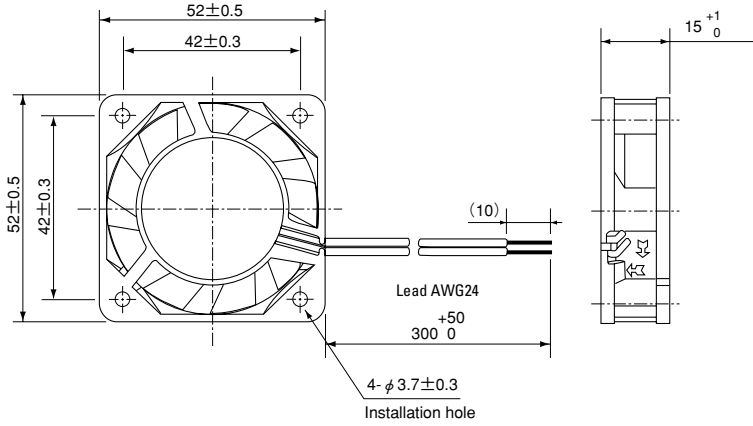
109P0512M702
109P0524M702



109P0505M702

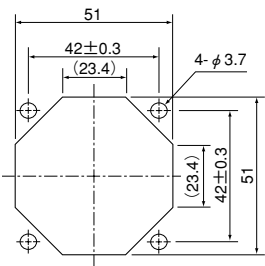
52mm

Dimensions (unit : mm)



Reference dimensional diagram for installation holes (unit : mm)

Discharge sides • Suction sides



52mm

SANYO DENKI

1-15-1, Kita-otsuka, Toshima-ku, Tokyo 170-8451, Japan. PHONE : +81 3 3917 5151
Home Page: <http://www.sanyodenki.co.jp>