

10112690 - X XX-YY Z LF

INDICATES THAT PRODUCT IS RoHS COMPATIBLE SEE NOTE 3

PACKAGING :

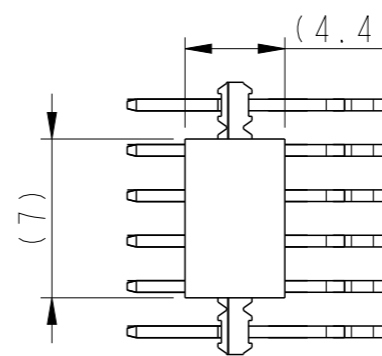
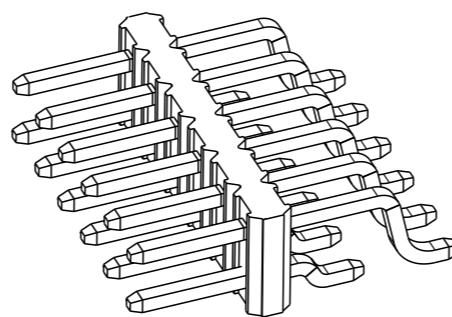
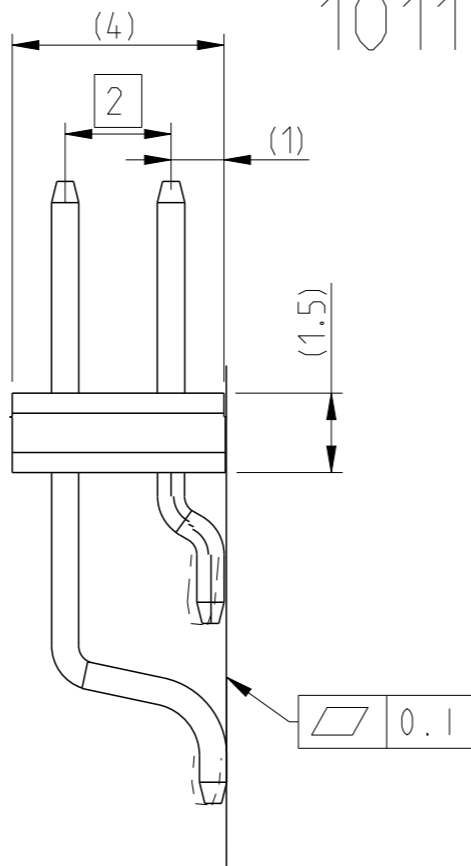
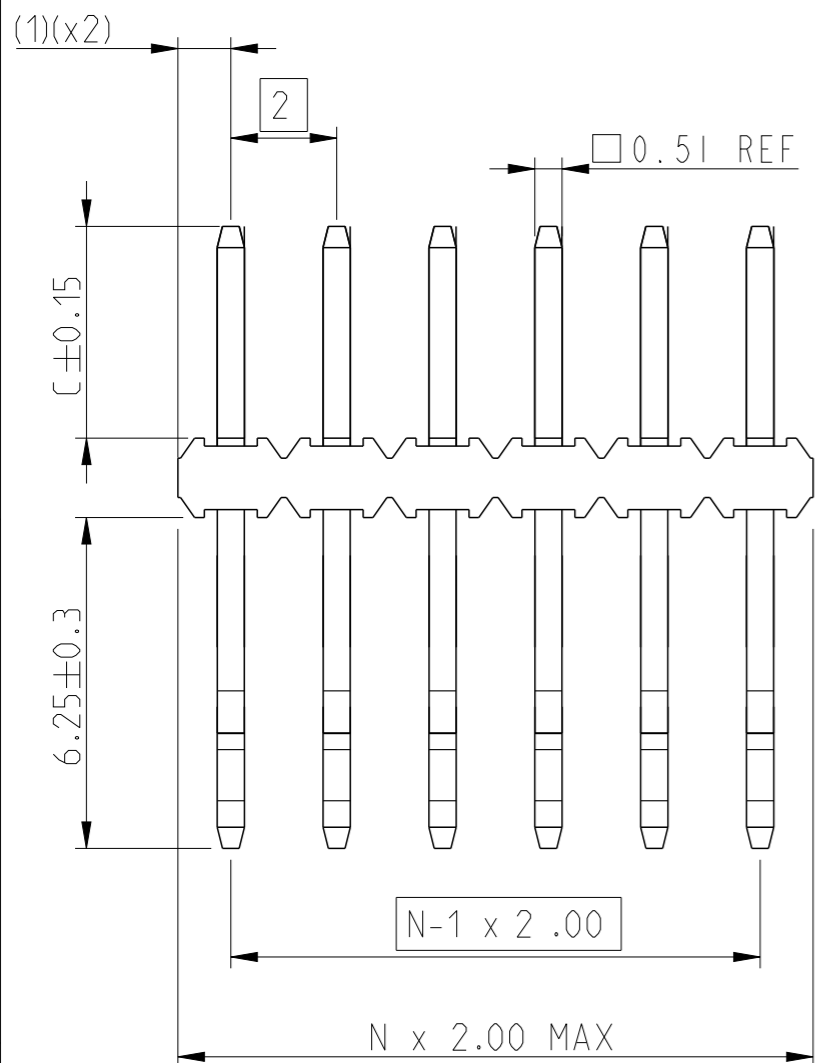
A = Tape and reel with Pick-up cap  
See GS-14-1516 As available  
U = Tube without Pick-up cap.  
See GS-14-1551

NBR CONTACTS PER ROW : 02 TO 25 = N

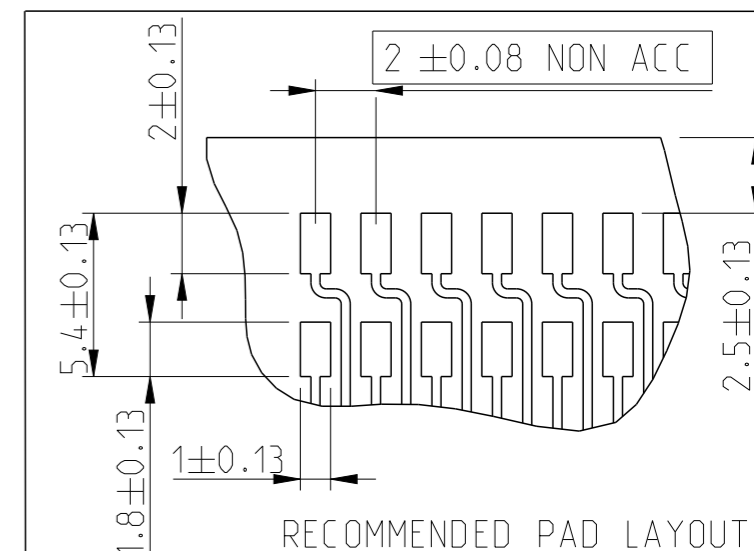
V = CUSTOMER SPECIAL  
- = ALL GLOBAL CUSTOMERS

STYLE	01	02	03	04	05
DIM C	3.2	2.0	4.0	7.0	5.84
POST LENGTH	3.2	2.0	4.0	7.0	5.84

PLATING : G= 0.76µ Gold/GXT on mating area  
2-6µ Pure Tin on solder area  
F= Gold flash on mating area  
2-6µ pure Tin on solder area  
T= 2-6µ pure Tin on mating area  
2-6µ pure Tin on solder area  
All with 1.27 Ni underplating



SCALE 3:1  
VIEW WITH  
PICK-UP CAP



NOTES :

- MATERIALS :  
BODY : High Temp thermoplastic 30% GF, COLOR BLACK UL94 V-0  
PIN : COPPER ALLOY
- 7N MIN PIN RETENTION IN EITHER DIRECTION
- RoHS COMPATIBLE PRODUCT SPECIFICATION :  
a- PLATING : LF means the product is Lead Free,  
2µ MIN matte Tin over 1.27µ Nickel underplating.  
b- MANUFACTURING PRODUCT SPECIFICATION :  
Housing will withstand exposure to 260°C peak temperature  
for 30 secondes in a convection infra-red or vapor phase oven.  
c- LABELLING :  
Meets packaging specs as per GS-14-920  
d- LEGAL STATMENT : See GS-47-0004
- MINIMUM QUANTITY IN BLI BOX : 500

spec ref	GS-12-652	dr	Alexandre Parr	2014/02/28	projection	mm	size	A3	scale	4:1
tolerance std	ISO 406 ISO 1101	eng	Perrin, Emilie	2021/06/21			ecn no	ELX-F-41288-1	rel level	Released
TOLERANCES UNLESS OTHERWISE SPECIFIED		chr	-	2021/06/21						
surface	linear	0.X	±0.30				dwg no	10112690C	rev	H
		0.XX	±0.13							
		0.XXX	±0.05							
	angular	0°	±/°	www.fci.com	cat. no.	-	Product - Customer Drw	sheet 1 of 1		