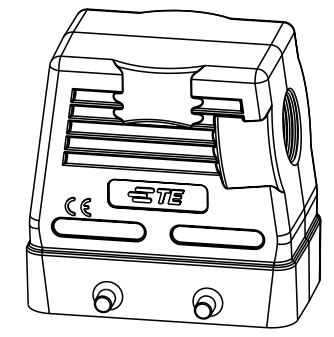


THIS DRAWING IS UNPUBLISHED. RELEASED FOR PUBLICATION 20

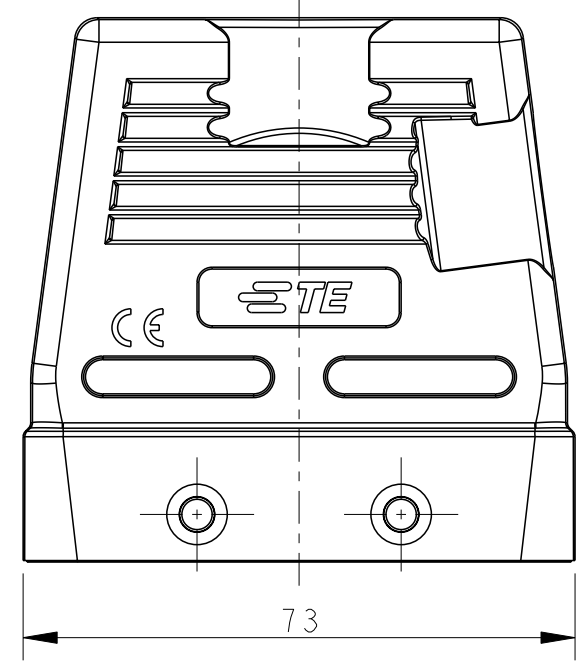
© COPYRIGHT 20 BY - ALL RIGHTS RESERVED.

REVISIONS

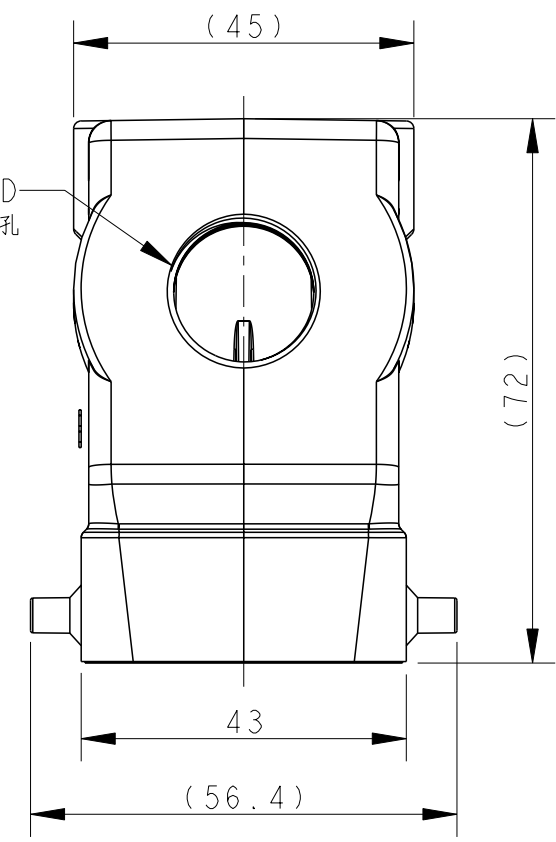
P	LTR	DESCRIPTION	DATE	DWN	APVD
	A	INITIAL	20OCT2016	RL	CW
	B	ECR-20-008181	28JUN2020	WQR	CW
	B1	ECR-21-103925	28MAY2021	WQR	CW



SCALE 1:2

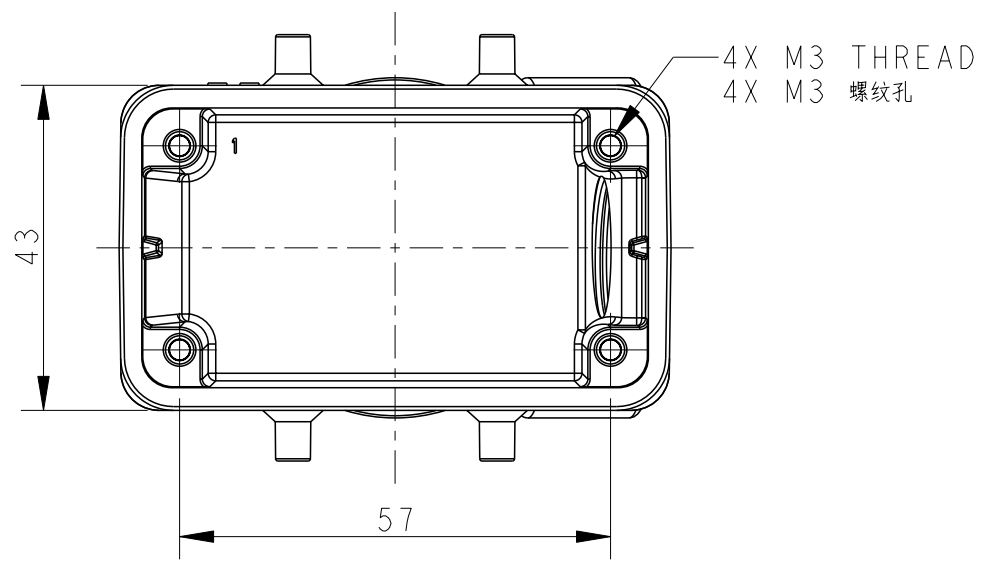


PG/M THREAD
PG/M 螺纹孔



NOTES:
 1. TECHNICAL CHARACTERISTICS:
 HOOD MATERIAL: DIE CAST ALUMINIUM ALLOY
 SURFACE: POWDER COATED, GREY
 DEGREE OF PROTECTION: IP65 (MATED)

注释:
 1. 技术参数:
 上壳材料: 铝合金
 表面处理: 灰色粉末喷涂
 防护等级: IP65(配合)



4X M3 THREAD
4X M3 螺纹孔

T1230100116-008	H10B-TSH-PG16	H10B HOOD, SIDE ENTRY PG16, 4 EAR HIGH CONSTRUCTION, POWDER COATED, GREY, ENVISION H10B上壳, 侧出PG16, 4耳, 高结构, 灰色粉末喷涂, 远景	PG16
T1230100120-008	H10B-TSH-M20	H10B HOOD, SIDE ENTRY M20, 4 EAR HIGH CONSTRUCTION, POWDER COATED, GREY, ENVISION H10B上壳, 侧出M20, 4耳, 高结构, 灰色粉末喷涂, 远景	M20
T1230100121-008	H10B-TSH-PG21	H10B HOOD, SIDE ENTRY PG21, 4 EAR HIGH CONSTRUCTION, POWDER COATED, GREY, ENVISION H10B上壳, 侧出PG21, 4耳, 灰色粉末喷涂, 高结构	PG21
T1230100125-008	H10B-TSH-M25	H10B HOOD, SIDE ENTRY M25, 4 EAR HIGH CONSTRUCTION, POWDER COATED, GREY, ENVISION H10B上壳, 侧出M25, 4耳, 高结构, 灰色粉末喷涂, 远景	M25
T1230100129-008	H10B-TSH-PG29	H10B HOOD, SIDE ENTRY PG29, 4 EAR HIGH CONSTRUCTION, POWDER COATED, GREY, ENVISION H10B上壳, 侧出PG29, 4耳, 高结构, 灰色粉末喷涂, 远景	PG29
T1230100132-008	H10B-TSH-M32	H10B HOOD, SIDE ENTRY M32, 4 EAR HIGH CONSTRUCTION, POWDER COATED, GREY, ENVISION H10B上壳, 侧出M32, 4耳, 高结构, 灰色粉末喷涂, 远景	M32
T1230100140-008	H10B-TSH-M40	H10B HOOD, SIDE ENTRY M40, 4 EAR HIGH CONSTRUCTION, POWDER COATED, GREY, ENVISION H10B上壳, 侧出M40, 4耳, 高结构, 灰色粉末喷涂, 远景	M40
PART NUMBER 料号	PART DESCRIPTION 描述		PG/M THREAD PG/M螺纹孔

THIS DRAWING IS A CONTROLLED DOCUMENT.

DIMENSIONS: mm	TOLERANCES UNLESS OTHERWISE SPECIFIED: 0 PLC ±- 1 PLC ±- 2 PLC ±- 3 PLC ±- 4 PLC ±- ANGLES ±-	DWN ROY LIU 20OCT2016 CHK KYLE ZENG 20OCT2016 APVD CHRIS WANG 20OCT2016	TE Connectivity NAME H10B-TSH-PG/M
MATERIAL -	FINISH -	PRODUCT SPEC 108-137013 APPLICATION SPEC 114-137013 WEIGHT -	
		CUSTOMER DRAWING	SIZE A3 CAGE CODE - DRAWING NO. C-T12301001XX008 RESTRICTED TO - SCALE 1:1 SHEET 1 OF 1 REV B1

Printed on 17 Jun 2021 10:10 (China Standard Time) from TE343646

Mouser Electronics

Authorized Distributor

Click to View Pricing, Inventory, Delivery & Lifecycle Information:

[TE Connectivity:](#)

[T1230100132-000](#)