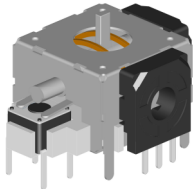




11mm 3D Joystick Potentiometer

SJ11C



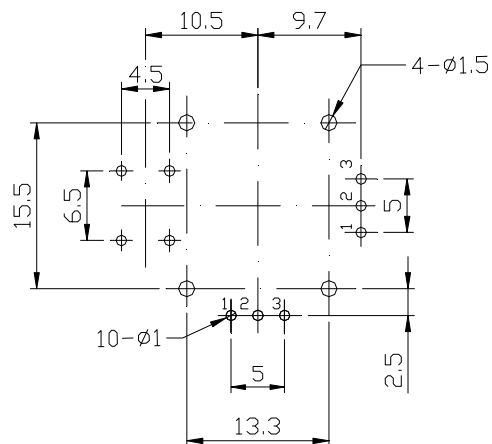
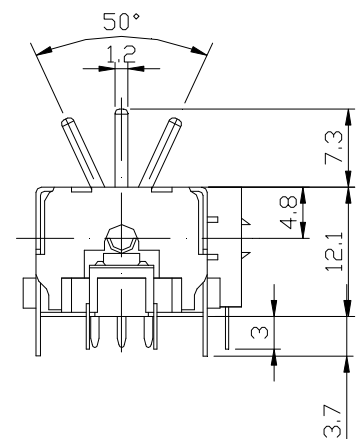
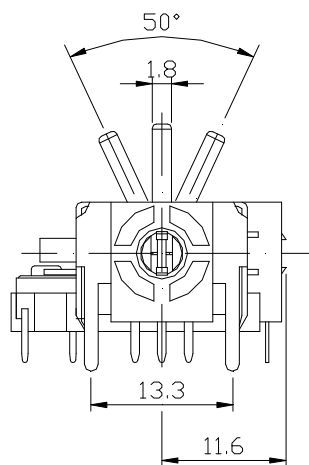
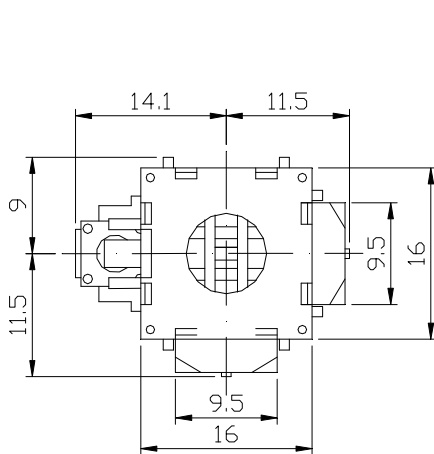
Part Number

SJ11C - B 10K

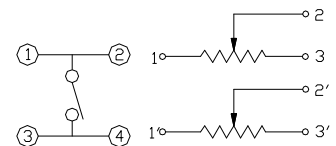
Taper

Resistance value

Dimensions



CIRCUIT





11mm 3D Joystick Potentiometer

General

Operating temperature	-10 °C ~ +70 °C
Storage temperature range	-30°C ~ +80°C
Resistance to soldering heat	260±5° at 5sec./Max
Solder ability	Temperature of solder:235±5° Dipping duration:3±0.5s

Electrical Characteristics

Total resistance	10K Ω
Resistance tolerance	±20%
Resistance taper	B Taper
Electronic angle	40°±6°
Sliding noise	Less than 300mV
Insulation resistance	More than 100MΩ at DC 500V 1 Minute
Rated power(W)	0 Linear taper B : 0.125W
Max. Operating voltage	Linear taper B : AC 50V or DC 5.0V
Withstand voltage	1 Minute at AC 250 V/2MA

Mechanical Characteristics

Stopper strength	3 Kgf.cm Min 3 Sec
Push-pull strength	Push/Pull 5 Kgf.cm Min 3 Sec, Torque:0.3Nm.
Operating force	130 ~180 gf.cm.
Accuracy of rest position	± 5°
Operating angle of lever	60° ± 5°
Operating life	500,000 Cycles Min.

Switch Characteristics

Maximum Ratings	12V DC 50mA
Contact Resistance	100mΩ Max
Operating force of tact switch	160gfm
Withstand voltage	250V AC 50Hz / 1 Minute
Operating life	100,000 Cycles Min.